

We reserve all rights in this document and in the information contained therein. Reproduction, use or disclosure to third parties without express authority is strictly forbidden. © ABB 19

Pos. Läge	H connects H förbinder
1	1 - 15
2	2 - 15
3	3 - 15
4	4 - 15
5	5 - 15
6	6 - 15

On-load tap-changer type UZEL., UZFL., 6 tap positions, linear switching.

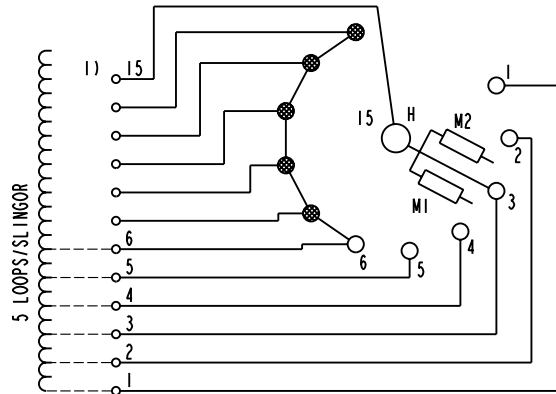
Max. effective No. of turns in pos. 1.

The tap-changer is delivered set in pos. 3.

Lindningskopplare typ UZEL., UZFL., 6 lägen, linjär koppling.

Max. antal effektiva varv i läge 1.

Lindningskopplaren levereras inställd i läge 3.



The tap-changer is shown in pos. 3
Lindningskopplaren visad i läge 3

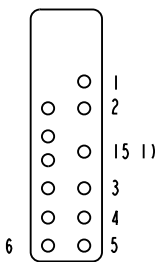
H Main contact
Huvudkontakt

M1, M2 Transition contacts
Motståndskontakter

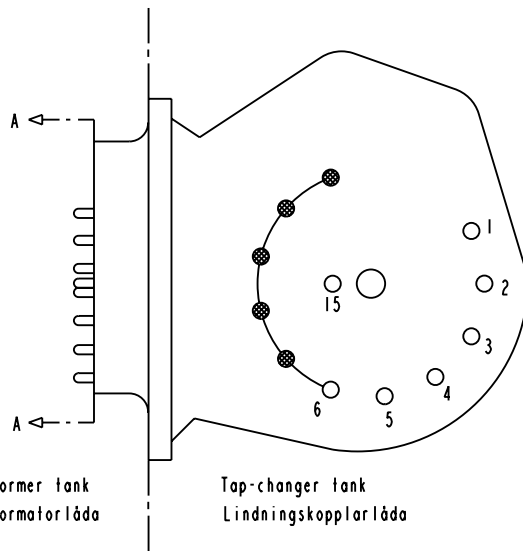
1) Connections between the terminals 15 of the three phases are included in the star-point type.

Förbindningar mellan uttag 15 i de tre faserna ingår i nollpunktsutförandet.

Terminal board
Plint



Section A-A
Sektion A-A



Transformer tank
Transformatorlåda

Tap-changer tank
Lindningskopplarlåda

Sheet	Cont
Year	Week
Dept	
Rev In	Revision
Appd	Year Week
Accepted by	Accepted for prod by
Design checked by	Drawn by
Issued by	Dept Year Week



Asea Brown Boveri

Description (English)
CONNECTION DIAGRAM

Description (own language)
KOPPLINGSSCHEMA

DATAORIGINAL

File name
0393-2

Lang Sheet

1

Rev In Cont

-

5492 0393-2