

---

 TECHNICAL DATA SHEET

# PMA Accessories - BSS - Abrasion protection sleeve

## PMA



**Applications:**

- Abrasion protection for corrugated conduits in positions exposed to chafing

**Features & Benefits:**

- Increases the life time of moving conduits
- Excellent chafing characteristics
- Very good chemical properties
- Fits both conduit profiles - fine (T) and coarse (G)

**Materials:**

- High-grade, specially formulated polyamide 6

**Compatible with:**

- PMAFLEX Pro Conduits
- PMAFLEX Multilayer Conduits
- PMAFLEX Conduits
- PMA Smart Line Conduits

**Conforms to:**

- EN 45545-2 HL3 (R22 & R23)
- NFPA 130
- UL 94 (V0)

**Weathering resistance:**

- Very good UV resistance and weathering characteristics

**Colour:**

- Black

**Chemical properties:**

- Please refer to [www.pma.ch](http://www.pma.ch) (Technical Information / Chemical Resistance)

**Environmental properties:**

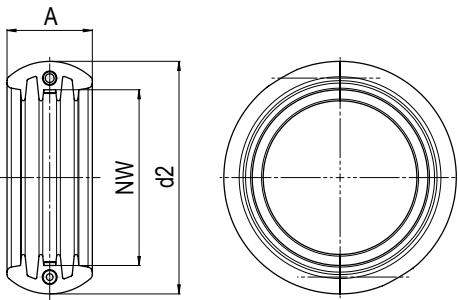
- Free from halogens and cadmium
- RoHS and REACH compliant

**Product selection:**

Part no.	Conduit size	Dimensions in mm (nom.)		Weight	Packing unit
		d2	A		
black	NW	d2	A	kg/100 pcs	pcs/PU
BSS-10	10	30.0	18.0	0.7	100
BSS-12	12	33.0	20.0	0.9	50
BSS-17	17	42.0	22.0	1.6	50
BSS-23	23	49.0	26.0	2.2	30
BSS-29	29	55.0	26.0	2.6	20
BSS-36	36	63.0	30.0	3.4	20
BSS-48	48	75.0	30.0	4.3	10
BSS-56G	56	90.0	33.0	7.1	10

For nominal width 70 please see BSV product, data sheet No. 40220

Our customer service dept. or local distribution partner will be pleased to help you concerning product availability and lead time



<b>Mechanical Properties:</b>	<b>Value:</b>	<b>Test parameters:</b>	<b>Test method:</b>
Tensile modulus	1'200 ... 3'700 N/mm <sup>2</sup>		ISO 527
Tensile strength	45 ... 65 N/mm <sup>2</sup>		ISO 527
Notched bar impact test	4 ... 20 kJ/m <sup>2</sup>		ISO 180/1C
Vibration and shock standard	Cat. 2		IEC 61373, IEC 60068-2-27 / -64

<b>Thermal properties:</b>	<b>Value:</b>	<b>Test parameters:</b>	<b>Test method:</b>
Continuous application temperature	- 50 ... + 105 °C		PMA DO 9.21-4510
Upper application temperature	+ 120°C	(20'000 h)	PMA DO 9.21-4360
Short-term	+ 160 °C	(168 h)	PMA DO 9.21-4360

<b>Fire safety properties:</b>	<b>Value:</b>	<b>Test parameters:</b>	<b>Test method:</b>
Fire performance	non flame-propagating		IEC EN 61386-1
Flame class	V0		UL 94

Fire hazard level	HL3		EN 45545-2 (R22)
Oxygen index	> 32 %		EN ISO 4589-2
Smoke density	< 150 Ds max.		EN ISO 5659-2 (25 kW/m <sup>2</sup> )
Toxicity	< 0.75 CITNLP		NF X 70-100-1/-2: (600°C)

Fire hazard level	HL3		EN 45545-2 (R23)
Oxygen index	> 32 %		EN ISO 4589-2
Smoke density	< 300 Ds max.		EN ISO 5659-2 (25 kW/m <sup>2</sup> )
Toxicity	< 1.5 CITNLP		NF X 70-100-1/-2: (600°C)

Fire performance NFPA 130:			NFPA 130
- Flammability	compliant		ASTM E 162
- Smoke density	compliant		ASTM E 662

Heat and visible smoke	26.00 MJ/kg		ASTM E 1354
Smoke emission toxicity	compliant		Bombardier SMP 800-C
Smoke emission toxicity	compliant		Boeing BSS 7239

#### Content of delivery:

- Abrasion protection sleeve
- 2 pcs. PT-screws KA 35 x 14

ABB Switzerland Ltd,  
PMA Cable Protection  
Aathalstrasse 90  
8610 Uster, Switzerland  
Phone: +41 58 585 00 11  
pma-info@ch.abb.com  
www.pma.ch

Let's write the future.  
Together. **abb.com**

We reserve the right to make technical changes or modify the contents of this document without prior notice. With regard to purchase orders, the agreed particulars shall prevail. ABB Installation Products Inc. does not accept any responsibility whatsoever for potential errors or possible lack of information in this document.

We reserve all rights in this document and in the subject matter and illustrations contained therein. Any reproduction, disclosure to third parties or utilization of its contents – in whole or in parts – is forbidden without prior written consent of ABB Inc. Copyright© 2019 ABB Installation Products Inc. All rights reserved

