

---

 TECHNICAL DATA SHEET

# ABB cable glands – ST Star Teck® series

## Industrial applications



ST - the original STAR TECK® fitting for Teck, MC and ACWU - its innovative design provides quality engineering, easier installation and helps achieve safer, more reliable terminations in challenging industrial environments.

**Certifications / Standards:**



---

**Features & Benefits:**

- Excellent pullout strength
- Robust metallic construction
- Quick and easy installation without disassembly
- “Pop-on” fitting (no dis-assembly) saves installer time
- Provides grounding continuity of cable armor
- Splined gland and gripping features for ease of installation

---

**Applications:**

- Provides means for passing jacketed metal clad cables through a bulkhead or enclosure in industrial and hazardous areas
- Oil and gas Industry, chemical and industrial markets
- Construction and installation zones where metal clad cables are specified
- Suitable for cable types:
  - Jacketed Teck and ACWU
  - Armored control and instrument (ACIC)
  - Type MC:
    - Jacketed interlocking armor (aluminum and steel)
    - Jacketed corrugated metal clad (aluminum and steel)

---

**Material:**

- Copper free aluminum
- Zinc plated steel option
- Stainless steel option

---

**Environmental ratings:**
**Working Temperature:**

- Normal use -40 to +90°C (-40 to +194°F)

**Ingress protection:**

- Type 4 / 4X

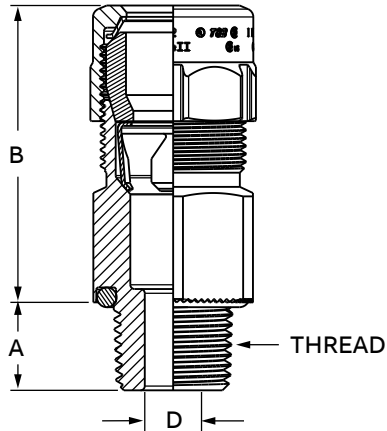
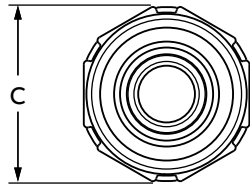
**Chemical resistance guide:**

- See publication TDS000081

---

**Conforms to:**

- CSA E60079-0/-7
  - Ex e II
- CSA C22.2 No.25/-174
  - Class I Div2 ABCD Class II Div1 EFG Class III Div1
  - Refer to CEC for specific applications
  - Class I Div1 when used in combination with a sealing fitting certified for Class I Div 1 locations
- UL2279
  - Class I, Zone 1, AEx e II
- UL514B/50 and CSA C22.2-18.3/-94
  - Wet and Dry Locations
  - Suitable for Class I Div 2, Class II Div 2 and Class III location per NEC
- RoHS (Restriction of Hazardous Substances Directive) 2011/65/EU Incorporating 2015/863 amendment to Annex II



### Product selection

Part no:	Thread (NPT)	Range over jacket		Range over armour		Nominal dimensions			
		Min	Max	Min	Max	A	B	C	D
ST038-461S*	3/8	<b>8.74</b> (0.344)	<b>13.59</b> (0.535)	<b>9.12</b> (0.359)	<b>11.05</b> (0.435)	<b>11.68</b> (0.460)	<b>51.31</b> (2.020)	<b>25.27</b> (0.995)	<b>8.74</b> (0.344)
ST050-462	1/2	<b>13.34</b> (0.525)	<b>16.51</b> (0.650)	<b>10.54</b> (0.415)	<b>14.48</b> (0.570)	<b>15.75</b> (0.620)	<b>51.31</b> (2.020)	<b>34.13</b> (1.344)	<b>10.16</b> (0.400)
ST050-464	1/2	<b>15.24</b> (0.600)	<b>19.30</b> (0.760)	<b>12.83</b> (0.505)	<b>17.27</b> (0.680)	<b>15.75</b> (0.620)	<b>51.31</b> (2.020)	<b>34.13</b> (1.344)	<b>12.45</b> (0.490)
ST050-465	1/2	<b>18.42</b> (0.725)	<b>22.48</b> (0.885)	<b>16.05</b> (0.632)	<b>20.45</b> (0.805)	<b>15.75</b> (0.620)	<b>54.10</b> (2.130)	<b>42.07</b> (1.656)	<b>15.67</b> (0.617)
ST050-466	1/2	<b>20.96</b> (0.825)	<b>25.02</b> (0.985)	<b>16.05</b> (0.632)	<b>22.99</b> (0.905)	<b>15.75</b> (0.620)	<b>54.10</b> (2.130)	<b>42.07</b> (1.656)	<b>15.67</b> (0.617)
ST075-467	3/4	<b>22.35</b> (0.880)	<b>27.05</b> (1.065)	<b>21.18</b> (0.834)	<b>25.02</b> (0.985)	<b>16.00</b> (0.630)	<b>62.23</b> (2.450)	<b>53.18</b> (2.094)	<b>20.80</b> (0.819)
ST075-468	3/4	<b>26.04</b> (1.025)	<b>30.61</b> (1.205)	<b>21.18</b> (0.834)	<b>28.58</b> (1.125)	<b>16.00</b> (0.630)	<b>62.23</b> (2.450)	<b>53.18</b> (2.094)	<b>20.80</b> (0.819)
ST100-469	1	<b>30.15</b> (1.187)	<b>34.93</b> (1.375)	<b>27.00</b> (1.063)	<b>32.89</b> (1.295)	<b>19.94</b> (0.785)	<b>66.04</b> (2.600)	<b>61.91</b> (2.438)	<b>26.62</b> (1.048)
ST125-470	1-1/4	<b>34.29</b> (1.350)	<b>41.28</b> (1.625)	<b>30.53</b> (1.202)	<b>39.24</b> (1.545)	<b>20.57</b> (0.810)	<b>83.31</b> (3.280)	<b>76.20</b> (3.000)	<b>30.15</b> (1.187)
ST125-550	1-1/4	<b>38.10</b> (1.500)	<b>41.28</b> (1.625)	<b>35.31</b> (1.390)	<b>39.24</b> (1.545)	<b>20.57</b> (0.810)	<b>83.31</b> (3.280)	<b>76.20</b> (3.000)	<b>34.93</b> (1.375)
ST125-471	1-1/4	<b>40.64</b> (1.600)	<b>47.63</b> (1.875)	<b>35.31</b> (1.390)	<b>45.59</b> (1.795)	<b>20.57</b> (0.810)	<b>83.31</b> (3.280)	<b>76.20</b> (3.000)	<b>34.93</b> (1.375)
ST150-472	1-1/2	<b>43.18</b> (1.700)	<b>49.91</b> (1.965)	<b>40.06</b> (1.577)	<b>47.88</b> (1.885)	<b>20.96</b> (0.825)	<b>91.95</b> (3.620)	<b>87.31</b> (3.438)	<b>39.67</b> (1.562)
ST150-473	1-1/2	<b>48.26</b> (1.900)	<b>55.55</b> (2.187)	<b>41.15</b> (1.620)	<b>53.52</b> (2.107)	<b>20.96</b> (0.825)	<b>91.95</b> (3.620)	<b>87.31</b> (3.438)	<b>40.77</b> (1.605)
ST200-551	2	<b>48.26</b> (1.900)	<b>55.55</b> (2.187)	<b>44.07</b> (1.735)	<b>53.52</b> (2.107)	<b>21.84</b> (0.860)	<b>92.46</b> (3.640)	<b>96.84</b> (3.813)	<b>43.69</b> (1.720)
ST200-474	2	<b>53.34</b> (2.100)	<b>60.33</b> (2.375)	<b>51.18</b> (2.015)	<b>57.91</b> (2.280)	<b>21.84</b> (0.860)	<b>92.46</b> (3.640)	<b>96.84</b> (3.813)	<b>50.80</b> (2.000)
ST200-475	2	<b>58.42</b> (2.300)	<b>65.15</b> (2.565)	<b>52.76</b> (2.077)	<b>63.12</b> (2.485)	<b>21.84</b> (0.860)	<b>92.46</b> (3.640)	<b>106.36</b> (4.188)	<b>52.37</b> (2.062)
ST200-476	2	<b>63.50</b> (2.500)	<b>69.85</b> (2.750)	<b>52.76</b> (2.077)	<b>67.46</b> (2.656)	<b>21.84</b> (0.860)	<b>92.46</b> (3.640)	<b>106.36</b> (4.188)	<b>52.37</b> (2.062)
ST250-477	2-1/2	<b>60.45</b> (2.380)	<b>67.06</b> (2.640)	<b>57.94</b> (2.281)	<b>65.02</b> (2.560)	<b>32.51</b> (1.280)	<b>119.38</b> (4.700)	<b>121.44</b> (4.781)	<b>57.56</b> (2.266)

\*This product is not CSA certified or UL listed.

Bold numbers are metric, parenthesis numbers are inches.

To order steel version, add suffix "S". Ex: ST050-464S

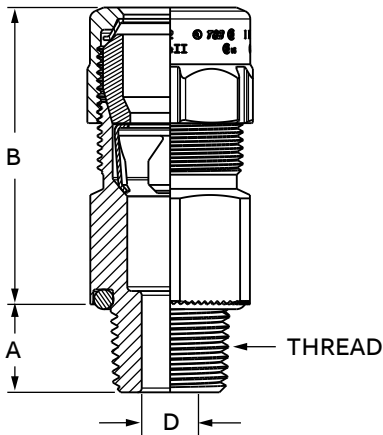
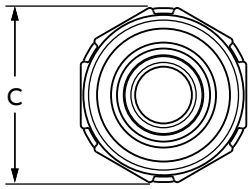
Stainless steel available from 1/2" to 3". Add suffix "SS". Ex: ST050-464SS

To order with PVC coating, add suffix "PVC". Ex: ST050-464SPVC. Available for aluminum and steel constructions.

Contact your representative for availability

Dimensions may vary depending on material selection.

Note: Product must be installed in accordance with applicable national and local electrical codes.



### Product selection

Part no:	Thread (NPT)	Range over jacket		Range over armour		Nominal dimensions			
		Min	Max	Min	Max	A	B	C	D
ST250-478	2-1/2	<b>65.53</b>	<b>72.14</b>	<b>63.02</b>	<b>69.85</b>	<b>32.51</b>	<b>119.38</b>	<b>121.44</b>	<b>62.64</b>
		(2.580)	(2.840)	(2.481)	(2.750)	(1.280)	(4.700)	(4.781)	(2.466)
ST300-479	3	<b>70.87</b>	<b>77.72</b>	<b>68.15</b>	<b>75.44</b>	<b>34.04</b>	<b>119.38</b>	<b>129.38</b>	<b>67.74</b>
		(2.790)	(3.060)	(2.683)	(2.970)	(1.340)	(4.700)	(5.094)	(2.667)
ST300-480	3	<b>76.20</b>	<b>83.06</b>	<b>73.96</b>	<b>81.03</b>	<b>34.04</b>	<b>121.67</b>	<b>139.70</b>	<b>73.56</b>
		(3.000)	(3.270)	(2.912)	(3.190)	(1.340)	(4.790)	(5.500)	(2.896)
ST300-481	3	<b>81.53</b>	<b>88.39</b>	<b>78.33</b>	<b>86.11</b>	<b>34.04</b>	<b>121.67</b>	<b>139.70</b>	<b>77.93</b>
		(3.210)	(3.480)	(3.084)	(3.390)	(1.340)	(4.790)	(5.500)	(3.068)
ST350-482	3-1/2	<b>86.87</b>	<b>93.73</b>	<b>84.02</b>	<b>91.19</b>	<b>35.31</b>	<b>121.67</b>	<b>153.19</b>	<b>83.72</b>
		(3.420)	(3.690)	(3.308)	(3.590)	(1.390)	(4.790)	(6.031)	(3.296)
ST350-483	3-1/2	<b>91.69</b>	<b>98.30</b>	<b>88.42</b>	<b>95.76</b>	<b>35.31</b>	<b>121.67</b>	<b>153.19</b>	<b>88.04</b>
		(3.610)	(3.870)	(3.481)	(3.770)	(1.390)	(4.790)	(6.031)	(3.466)
ST400-484	4	<b>96.77</b>	<b>102.36</b>	<b>92.81</b>	<b>99.82</b>	<b>36.58</b>	<b>122.94</b>	<b>166.69</b>	<b>92.38</b>
		(3.810)	(4.030)	(3.654)	(3.930)	(1.440)	(4.840)	(6.563)	(3.637)
ST400-485	4	<b>100.71</b>	<b>106.30</b>	<b>96.49</b>	<b>103.25</b>	<b>36.58</b>	<b>122.94</b>	<b>166.69</b>	<b>96.06</b>
		(3.965)	(4.185)	(3.799)	(4.065)	(1.440)	(4.840)	(6.563)	(3.782)
ST400-486	4	<b>104.65</b>	<b>110.24</b>	<b>100.69</b>	<b>107.19</b>	<b>36.58</b>	<b>122.94</b>	<b>166.69</b>	<b>100.25</b>
		(4.120)	(4.340)	(3.964)	(4.220)	(1.440)	(4.840)	(6.563)	(3.947)

\*This product is not CSA certified or UL listed.

Bold numbers are metric, parenthesis numbers are inches.

To order steel version, add suffix "S". Ex: ST050-464S

Stainless steel available from 1/2" to 3". Add suffix "SS". Ex: ST050-464SS

To order with PVC coating, add suffix "PVC". Ex: ST050-464SPVC. Available for aluminum and steel constructions.

Contact your representative for availability

Dimensions may vary depending on material selection.

Note: Product must be installed in accordance with applicable national and local electrical codes.

