


SAM600-VT wiring example

Print: 2016-06-30 C:\Users\chjusch2\Desktop\SAM600\to delete\1KHL511911-A-SAM600-VT.e3s
 We reserve all rights in this document and in the information contained therein. Reproduction, use or disclosure to third parties without express authority is strictly forbidden.

© Copyright 2016 ABB

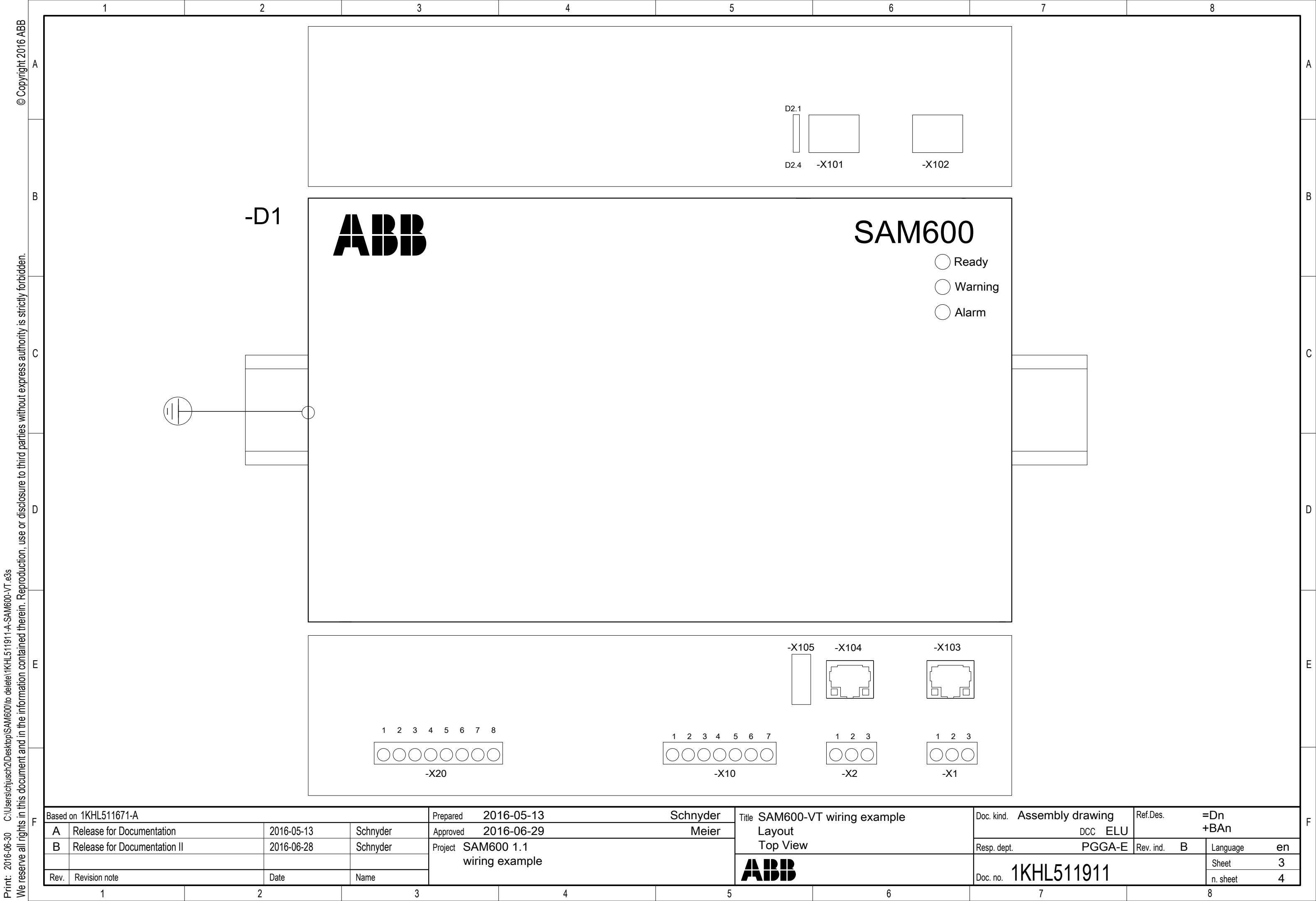
Based on 1KHL511671-A				Prepared	2016-05-13	Schnyder	Title	SAM600-VT wiring example		Doc. kind.	Circuit diagram		Ref.Des.	=Dn +BAN	
A	Release for Documentation	2016-05-13	Schnyder	Approved	2016-06-29	Meier	Title page	DCC EFS		PGGA-E		Rev. ind.	B	Language	en
B	Release for Documentation II	2016-06-28	Schnyder	Project SAM600 1.1 wiring example					1KHL511911		Sheet	1			
Rev.	Revision note	Date	Name						Doc. no.			No.sheets	7		

© Copyright 2016 ABB

Print: 2016-06-30 C:\Users\chjusch2\Desktop\SAM600\to delete\1KHL511911-A-SAM600-VT.e3s We reserve all rights in this document and in the information contained therein. Reproduction, use or disclosure to third parties without express authority is strictly forbidden.

Sheet	n.sh.	Description 1	Description 2	Rev.	Revision note	Sheet	n.sh.	Description 1	Description 2	Rev.	Revision note
A	1	2	Title page	B	Release for Documentation II						
	2	3	List of contents	B	Release for Documentation II						
	3	4	Layout	B	Release for Documentation II						
	4	5	Voltage transformer	B	Release for Documentation II						
	5	6	Stand-alone merging unit	B	Release for Documentation II						
B	6	7	Parts list	B	Release for Documentation II						
	7		Terminal table	B	Release for Documentation II						

Based on 1KHL511671-A				Prepared	2016-05-13		Schnyder		Title SAM600-VT wiring example			Doc. kind. List of contents		Ref.Des. =Dn +BAn	
A	Release for Documentation		2016-05-13	Schnyder		Approved	2016-06-29		Meier			DCC EAB			
B	Release for Documentation II		2016-06-28	Schnyder		Project SAM600 1.1					Resp. dept. PGGA-E		Rev. ind. B Language en		
						wiring example			ABB			ABB		Doc. no. 1KHL511911	
Rev.	Revision note		Date	Name								Sheet 2		n. sheet 3	



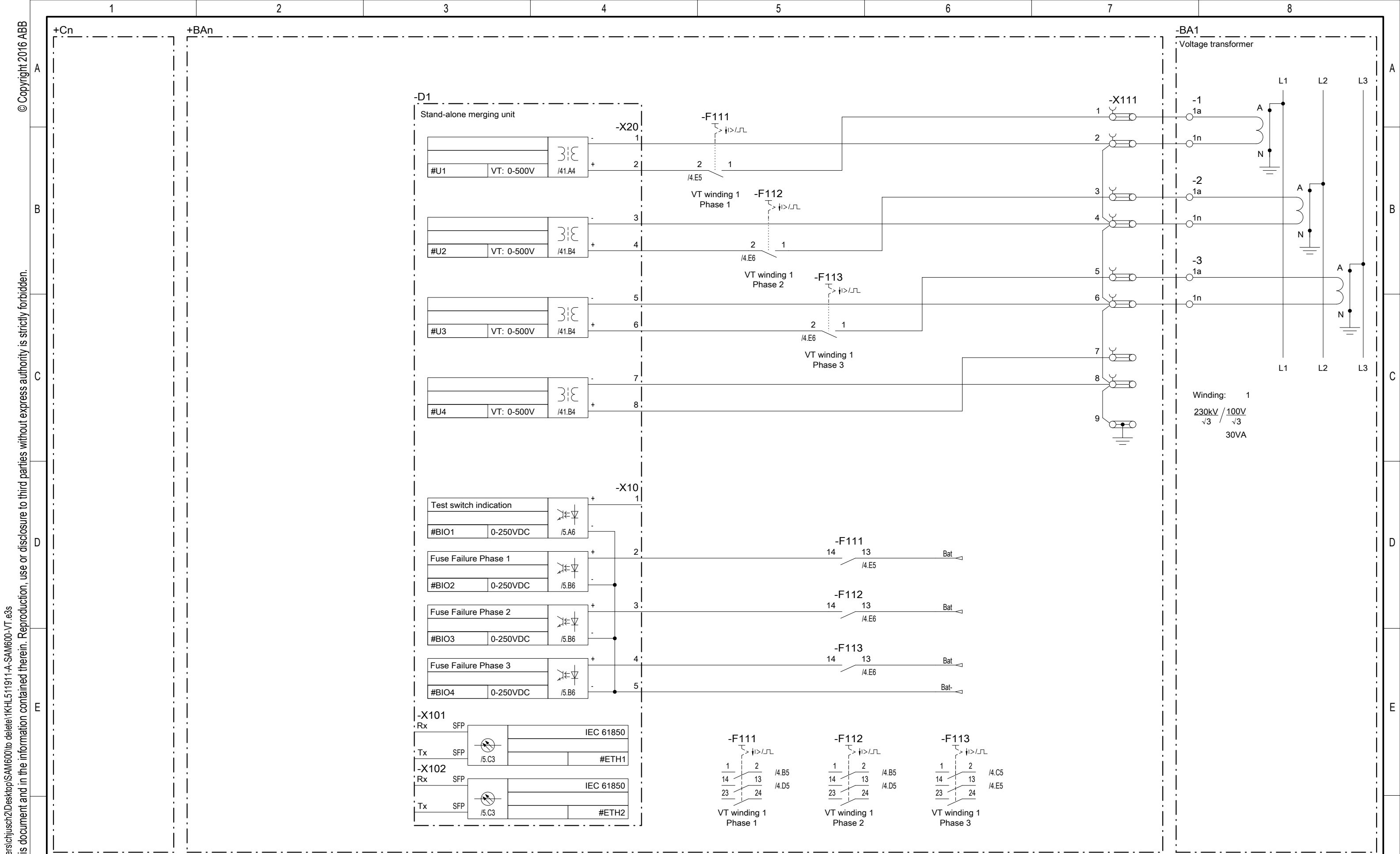
© Copyright 2016 ABB
 We reserve all rights in this document and in the information contained therein. Reproduction, use or disclosure to third parties without express authority is strictly forbidden.
 Print: 2016-06-30 C:\Users\chjusch2\Desktop\SAM600\to delete\1KHL511911-A-SAM600-VT.e3s

Based on 1KHL511671-A			
A	Release for Documentation	2016-05-13	Schnyder
B	Release for Documentation II	2016-06-28	Schnyder
Rev.	Revision note	Date	Name

Prepared	2016-05-13	Schnyder
Approved	2016-06-29	Meier
Project	SAM600 1.1 wiring example	

Title	SAM600-VT wiring example
Layout	Top View
ABB	

Doc. kind.	Assembly drawing	Ref.Des.	=Dn +BAn
	DCC ELU		
Resp. dept.	PGGA-E	Rev. ind.	B
		Language	en
Doc. no.	1KHL511911	Sheet	3
		n. sheet	4



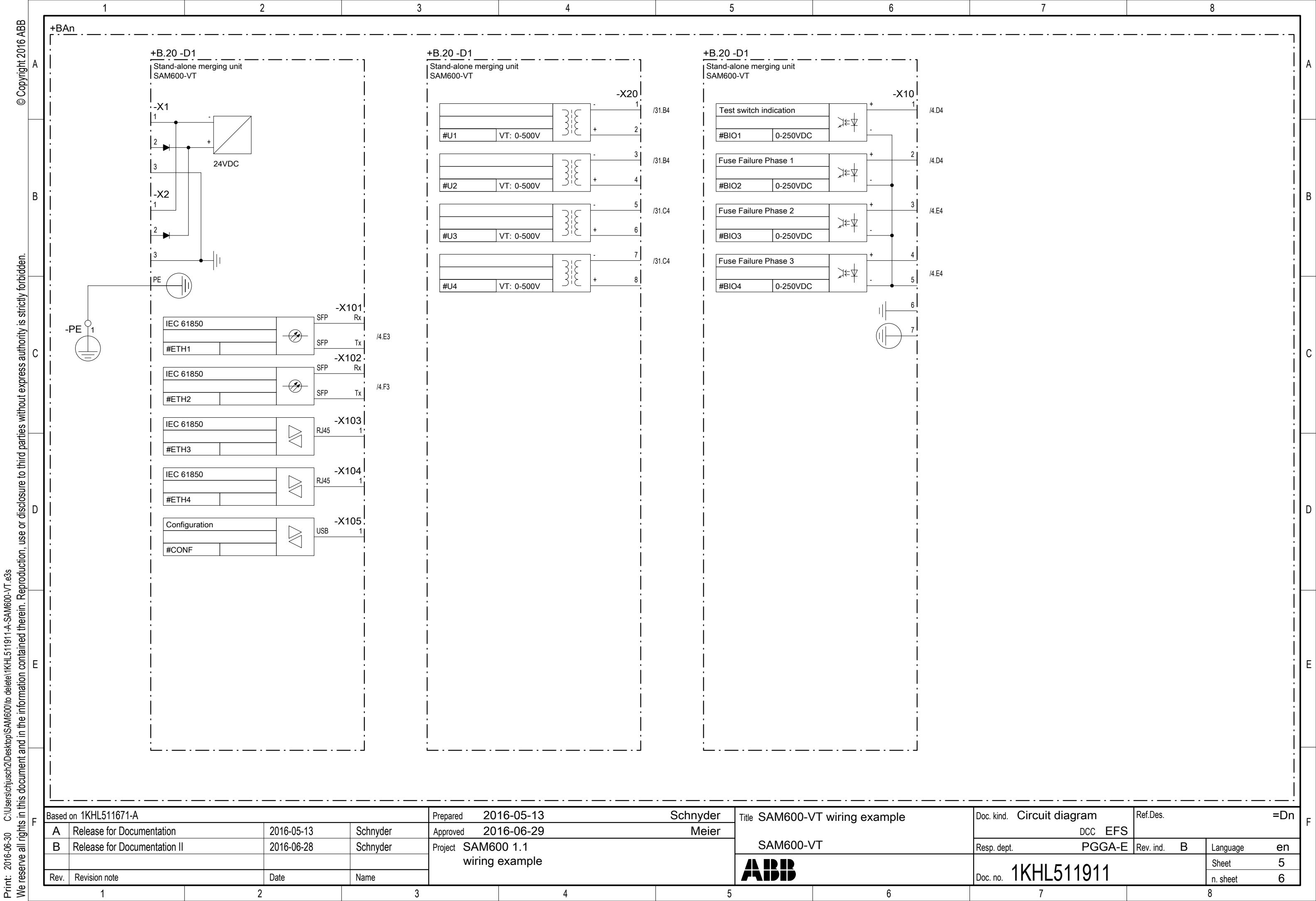
Print: 2016-06-30 C:\Users\chjusch2\Desktop\SAM600\to delete\1KHL511911-A-SAM600-VT.e3s We reserve all rights in this document and in the information contained therein. Reproduction, use or disclosure to third parties without express authority is strictly forbidden. © Copyright 2016 ABB

Based on 1KHL511671-A			
A	Release for Documentation	2016-05-13	Schnyder
B	Release for Documentation II	2016-06-28	Schnyder
Rev.	Revision note	Date	Name

Prepared	2016-05-13	Schnyder
Approved	2016-06-29	Meier
Project	SAM600 1.1 wiring example	

Title	SAM600-VT wiring example
	Voltage transformer
	BA1
ABB	

Doc. kind.	Circuit diagram	Ref.Des.	=Dn
	DCC EFS		
Resp. dept.	PGGA-E	Rev. ind.	B
		Language	en
Doc. no.	1KHL511911	Sheet	4
		n. sheet	5



© Copyright 2016 ABB

Print: 2016-06-30 C:\Users\chjusch2\Desktop\SAM600\to delete\1KHL511911-A-SAM600-VT.e3s We reserve all rights in this document and in the information contained therein. Reproduction, use or disclosure to third parties without express authority is strictly forbidden.

Based on 1KHL511671-A			
A	Release for Documentation	2016-05-13	Schnyder
B	Release for Documentation II	2016-06-28	Schnyder
Rev.	Revision note	Date	Name

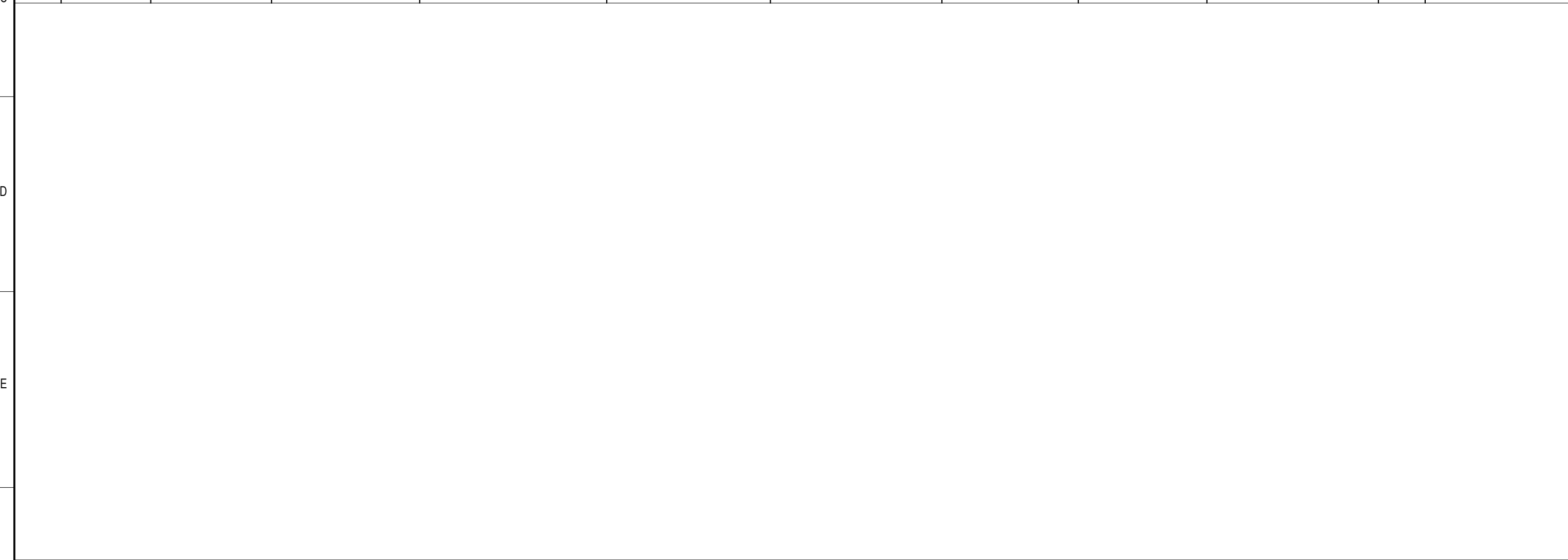
Prepared	2016-05-13	Schnyder
Approved	2016-06-29	Meier
Project	SAM600 1.1 wiring example	

Title	SAM600-VT wiring example
	SAM600-VT
	ABB

Doc. kind.	Circuit diagram	Ref.Des.	=Dn
	DCC EFS		
Resp. dept.	PGGA-E	Rev. ind.	B
		Language	en
Doc. no.	1KHL511911	Sheet	5
		n. sheet	6

© Copyright 2016 ABB
 Print: 2016-06-30 C:\Users\chjusch2\Desktop\SAM600\to delete\1KHL511911-A-SAM600-VT.e3s
 We reserve all rights in this document and in the information contained therein. Reproduction, use or disclosure to third parties without express authority is strictly forbidden.

Pos.	Location	Device designation	Device description	Type designation	Technical data	Remark	Article number	Manufacturer	Manufacturer number	Qty.	Pages
1		-D1	Stand-alone merging unit	SAM600-VT		4 analogue channels, 4 binary inputs	1KHL160062R1001	ABB	SAM600*1.10-VT-DA-H	1	4,5
2		-F111	Miniature circuit breaker Auxiliary contact block End bracket	S 201 P-Z 4 S2C-H20L Clipfix 35	4A	1 pole, 440VAC/60VDC 2NO	2CDS281001R0338 2CDS200936R0002 GZN 590043P0008	ABB ABB Phoenix Contact	2CDS281001R0338 2CDS200936R0002 3022218	1 1 1	4 4 4
3		-F112	Miniature circuit breaker Auxiliary contact block	S 201 P-Z 4 S2C-H20L	4A	1 pole, 440VAC/60VDC 2NO	2CDS281001R0338 2CDS200936R0002	ABB ABB	2CDS281001R0338 2CDS200936R0002	1 1	4 4
4		-F113	Miniature circuit breaker Auxiliary contact block End bracket	S 201 P-Z 4 S2C-H20L Clipfix 35	4A	1 pole, 440VAC/60VDC 2NO	2CDS281001R0338 2CDS200936R0002 GZN 590043P0008	ABB ABB Phoenix Contact	2CDS281001R0338 2CDS200936R0002 3022218	1 1 1	4 4 4
5		-X111	Terminal (PE) Transducer terminal Test socket strip Test socket strip Test socket strip Test socket strip Cover End bracket	STMED 6-PE STME 6 PAI-4-FIX YE PAI-4-FIX RD PAI-4-FIX BU PAI-4-FIX BK D-DTME 6 Clipfix 35	500V, 30A	0.2-6mm ² , max 2 wires, grey 0.2-6mm ² , max 2 wires, grey YE RD BU BK	1KHF405028P0040 1KHF405028P0038 1KHF405028P0162 1KHF405028P0167 1KHF405028P0166 1KHF405028P0165 1KHF405028P0083 GZN 590043P0008	Phoenix Contact Phoenix Contact Phoenix Contact Phoenix Contact Phoenix Contact Phoenix Contact Phoenix Contact Phoenix Contact	3035726 3035700 3032745 3032732 3032729 3032774 3034426 3022218	1 8 2 2 2 2 1 2	4 4 4 4 4 4 4 4

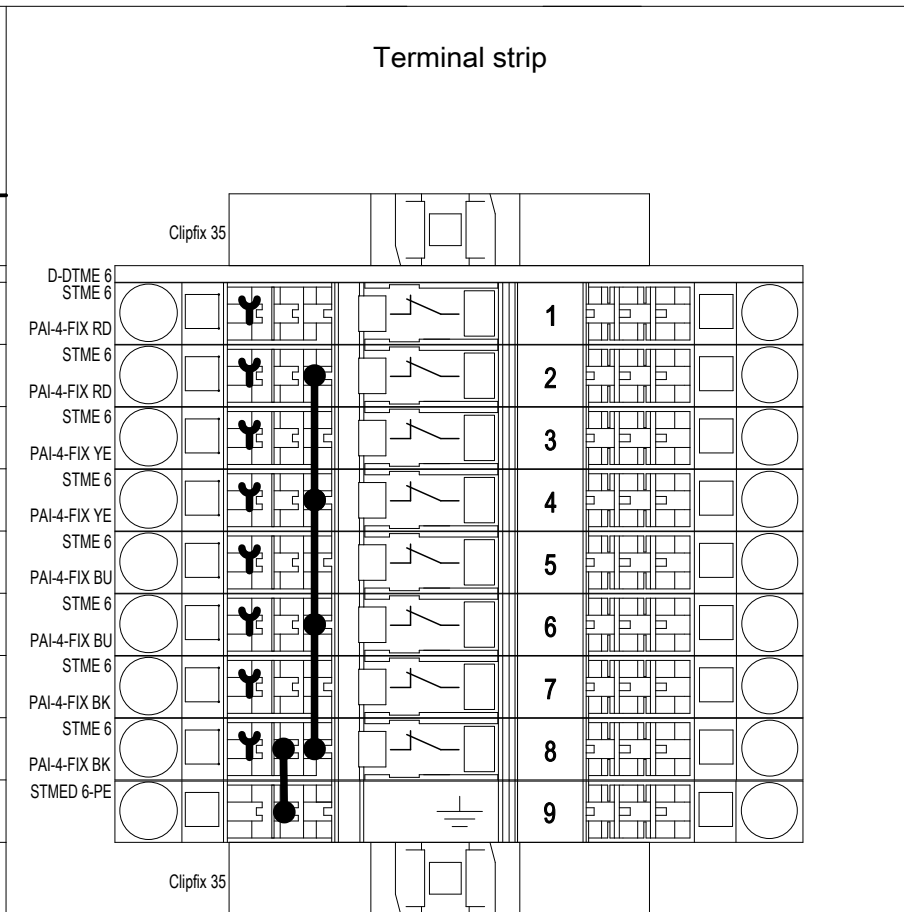


Based on 1KHL511671-A				Prepared	2016-05-13	Schnyder	Title	SAM600-VT wiring example		Doc. kind.	Parts list		Ref.Des.	=Dn		
A	Release for Documentation	2016-05-13	Schnyder	Approved	2016-06-29	Meier	Parts list		DCC EPB		+BAn.B.20					
B	Release for Documentation II	2016-06-28	Schnyder	Project SAM600 1.1		wiring example		=Dn+BAn.B.20		Resp. dept.	PGGA-E		Rev. ind.	B	Language	en
Rev.	Revision note	Date	Name					ABB		Doc. no.	1KHL511911		ABB	Sheet	6	
														n. sheet	7	

© Copyright 2016 ABB
 Print: 2016-06-30 C:\Users\chjusch2\Desktop\SAM600\to delete\1KHL511911-A-SAM600-VT.e3s
 We reserve all rights in this document and in the information contained therein. Reproduction, use or disclosure to third parties without express authority is strictly forbidden.

=Dn
 +BAn.B.20
-X111

Target Internal	
Device designation	Pin
=Dn +BAn.B.20 -F111	:1
=Dn +BAn.B.20 -D1	-X20:1
=Dn +BAn.B.20 -F112	:1
=Dn +BAn.B.20 -D1	-X20:3
=Dn +BAn.B.20 -F113	:1
=Dn +BAn.B.20 -D1	-X20:5
=Dn +BAn.B.20 -D1	:8
=Dn +BAn.B.20 -D1	-X20:7



Target External		Cable designations	Placement in schematics	Signal
Device designation	Pin			
=Dn -BA1.1	:1a		/4.A7	UL1
=Dn -BA1.1	:1n		/4.B7	UN
=Dn -BA1.2	:1a		/4.B7	UL2
=Dn -BA1.2	:1n		/4.B7	UN
=Dn -BA1.3	:1a		/4.B7	UL3
=Dn -BA1.3	:1n		/4.C7	UN
			/4.C7	UL4
			/4.C7	UN
			/4.C7	UN

Based on 1KHL511671-A			Prepared 2016-05-13	Schnyder	Title SAM600-VT wiring example Terminal table -X111	Doc. kind. DCC EMA	Ref.Des. =Dn +BAn.B.20	
A	Release for Documentation	2016-05-13	Schnyder	Approved 2016-06-29				Meier
B	Release for Documentation II	2016-06-28	Schnyder	Project SAM600 1.1 wiring example		Resp. dept. PGGA-E	Rev. ind. B	Language en
Rev.	Revision note	Date	Name			Doc. no. 1KHL511911	Sheet 7	n. sheet

