

Superstrut®

Introduction to metal framing channels numbering system

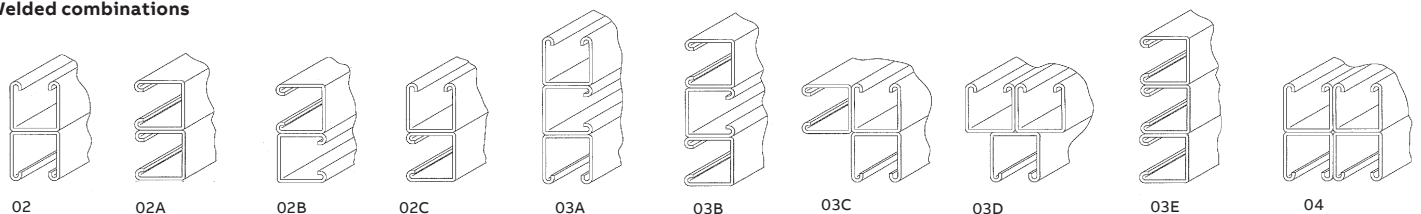
Example

A	12	00	HS	10	PG	C
Select channel series	Select gauge	Select welded combinations	Select hole configuration	Select length	Select finish and/or material	
A 1-5/8 x 1-5/8 in. B 1-5/8 x 13/16 in. C 1-5/8 x 1-3/8 in. D 1-5/8 x 1 in. E 1-5/8 x 2-7/16 in. H 1-5/8 x 3-1/4 in.	12 gauge 14 gauge	00 Non welded 02 02A 02B 02C 03A 03B 03C 03E 03D 04	Blank No holes, slots or knockouts HS Half Slot S Slotted SW Slotted Wide P Punched KO Knockout	10 20	PG Pregalvanized HDG Hot-Dipped Galvanized B Bare (Hot Rolled Pickled and Oiled) SS6 Stainless Steel (Type 316) AL Aluminum BK Black Epoxy Powder Coated GR Green Epoxy Powder Coated WH White Epoxy Powder Coated GY Grey Epoxy Powder Coated T316L Stainless Steel (Type 316L) Low Carbon EG Electrogalvanized Blank GoldGalv®	C Made in Canada

Channel selection chart

Channel Series	Hole configurations					Length ft.	Finish on steel					Special materials			
	HS	S	SW	P	KO		B(C)	PG(C)	EG(C)	GoldGalv®	HDG(C)	GR(C),GY(C),WH(C)	AL(C)	T316L	SS6(C)
A1200						10 or 20									
A1400						10 or 20									
AR1600						10 or 20									
B1200						10 or 20									
B1400						10 or 20									
BR1600						10 or 20									
C1200						10 or 20									
D1200						10 or 20									
E1200						10 or 20									
H1200						10 or 20									

Welded combinations



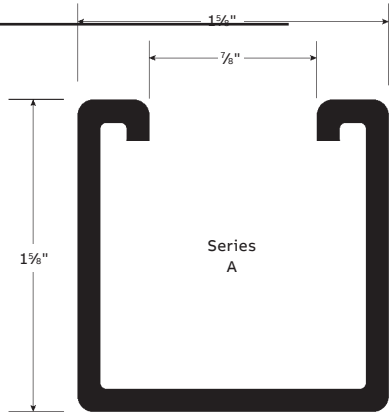
Examples

Two A1200 channels back to back are ordered as A1202.
 Two A1200 channels back to side are ordered as A1202C.

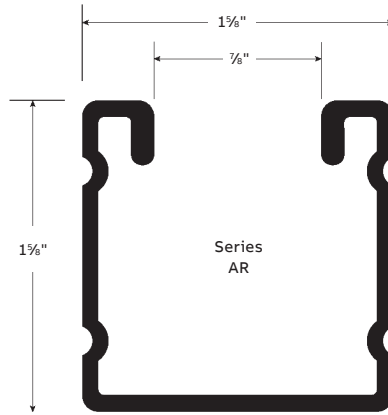
Aluminum back-to-back channel are extruded profiles.
 All other combinations are spot welded at every 4 inches.
 E and H series are not available in triple and quadruple

Channels and concrete inserts

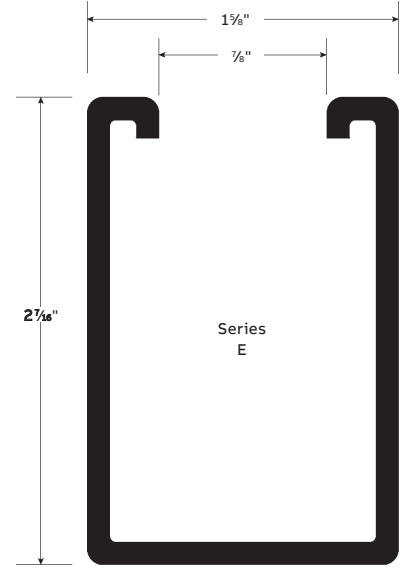
Channels at full scale, available in 10 and 20 foot lengths



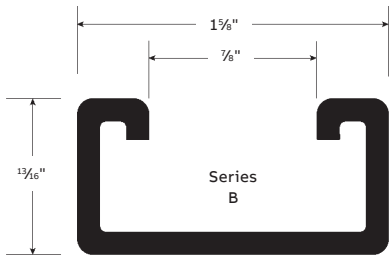
A1200 12 gauge
A1400 14 gauge



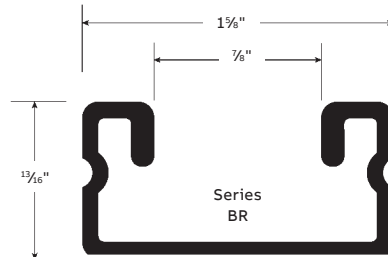
16 gauge only



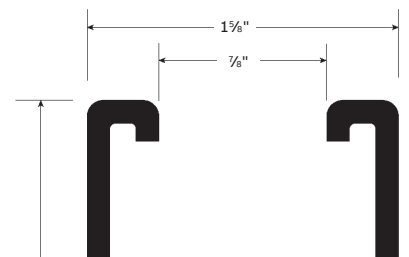
E1200 12 gauge



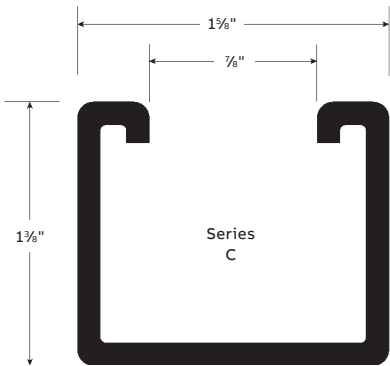
B1200 12 gauge
B1400 14 gauge



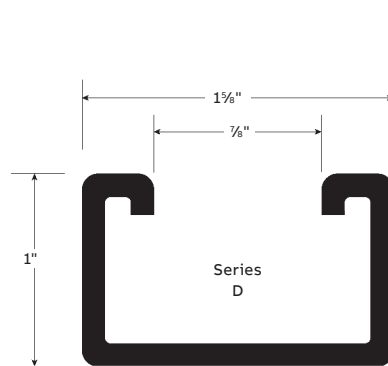
16 gauge only



H1200 12 gauge



C1200 12 gauge

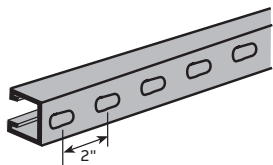


D1200 12 gauge

Hole configuration

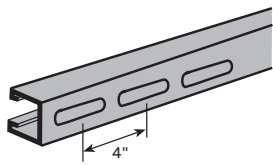
Half-slot channel

Slots: 3/16 in. x 1 1/8 in.



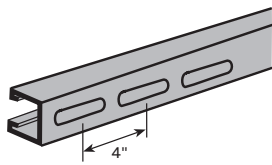
Slotted channel

Slots: 7/16 in. x 3 in.



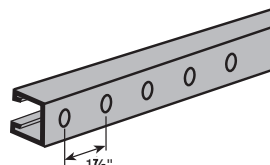
SW "slotted wide" channel

Slots: 9/16 in. x 3 in.



Punched channel

Holes: 9/16 in.



Channel with knockouts

KO: 1/2 in.

