

## PowerCube PB6 - PR6

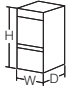
Preassembled modules for building medium voltage switchgear

- Mechanical and electromechanical safety locks to prevent incorrect operations
- Circuit-breaker / VT truck racking in / out with door closed
- Gas insulated circuit-breakers, vacuum circuit-breakers and VT truck can be used
- Version with earthing switch with making capacity
- Earthing switch featuring interlocks with the circuit-breaker



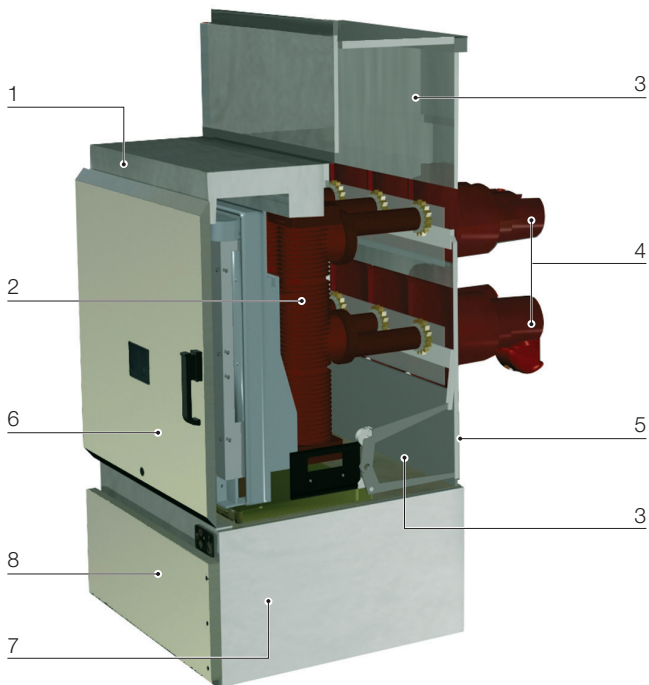
# PowerCube PB6 - PR6

## PB/M technical data

| PowerCube   |   | PB6                 | PR6                 |      |
|---|---|---------------------|---------------------|------|
| Rated voltage   | [kV]  | 36                  | 36                  |      |
| Rated insulation voltage                                | [kV]  | 36                  | 36                  |      |
| Withstand voltage (50 Hz)                               | [kV]  | 70                  | 70                  |      |
| Impulse withstand voltage                               | [kV]  | 170                 | 170                 |      |
| Rated frequency   | [Hz]  | 50-60               | 50-60               |      |
| Rated current (40 °C)                                   |   | 630                 | 630                 |      |
|   |   | 1250                | 1250                |      |
|   |   | 1600                | 1600                |      |
|   |   | 2000                | 2000                |      |
|   |   | 2500 (1)            | 2500 (1)            |      |
| Admissible rated short-time withstand current (3 s) (1) | [kA]  | 25 (3s) - 31.5 (1s) | 25 (3s) - 31.5 (1s) |      |
| Overall dimensions<br>(excluding monoblocs)             |  | H [mm]              | 2034                | 2034 |
|   |   | W [mm]              | 750/1000            | 1000 |
|   |   | D [mm]              | 1030                | 920  |
| Degree of protection                                    |   | IP 3X               | IP 3X               |      |
| Compatible circuit-breakers and contactors              |   |                     |                     |      |
| - VD4   |   | •                   | •                   |      |
| - HD4   |   | •                   | •                   |      |
| Technical catalogue                                     | No.   | 1VCP000178          | 1VCP000178          |      |

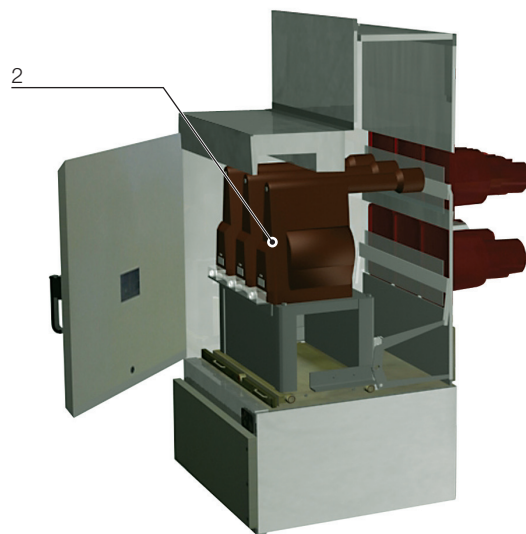
(1) Making capacity of earthing switch 25 kA.

## Main components



- A Circuit-breaker compartment
- 1 Voltage signalling device (on request)
- 2 Circuit-breaker/contactator
- 3 Shutters
- 4 Lower and upper monoblocs

- 5 Earthing switch (on request)
- 6 Fan
- 7 Fan (only for 2500 A)
- 8 Lower door

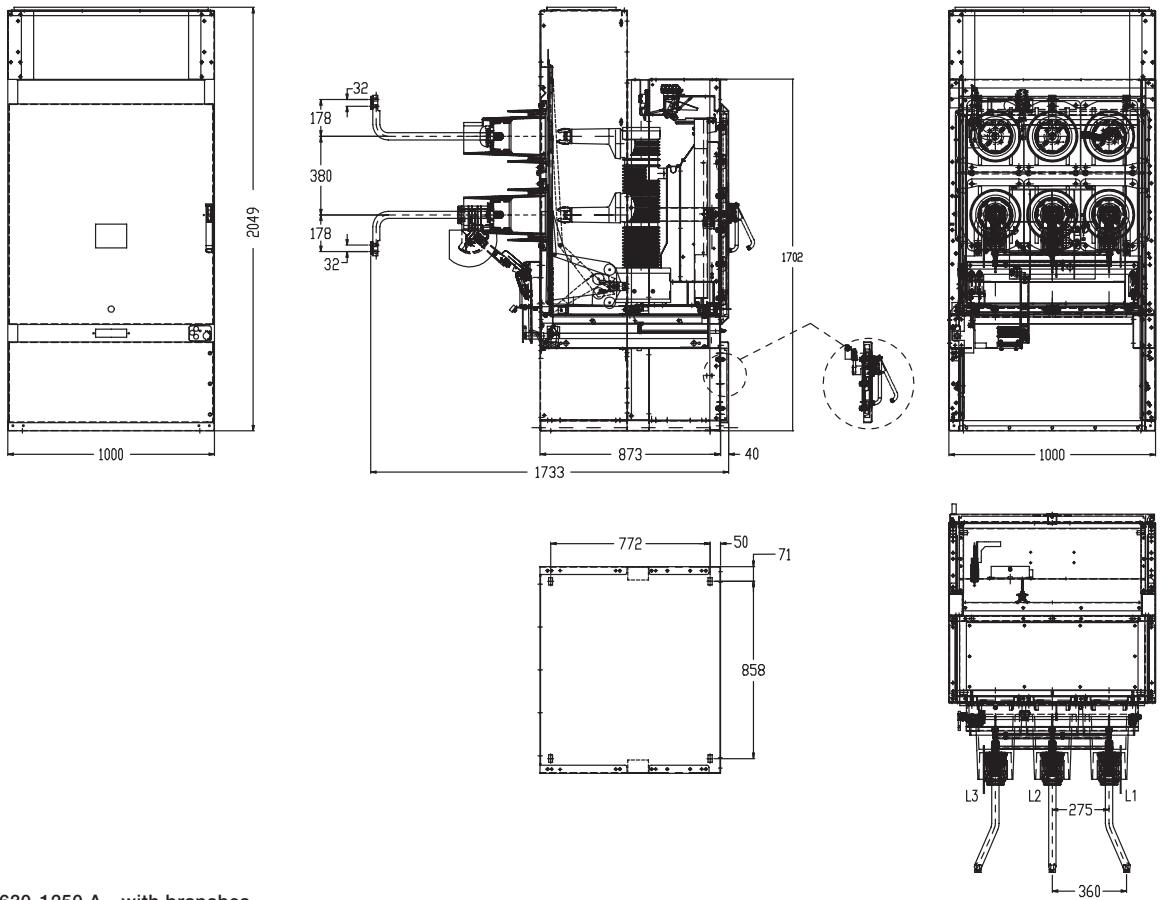


VD4/W 36 kV

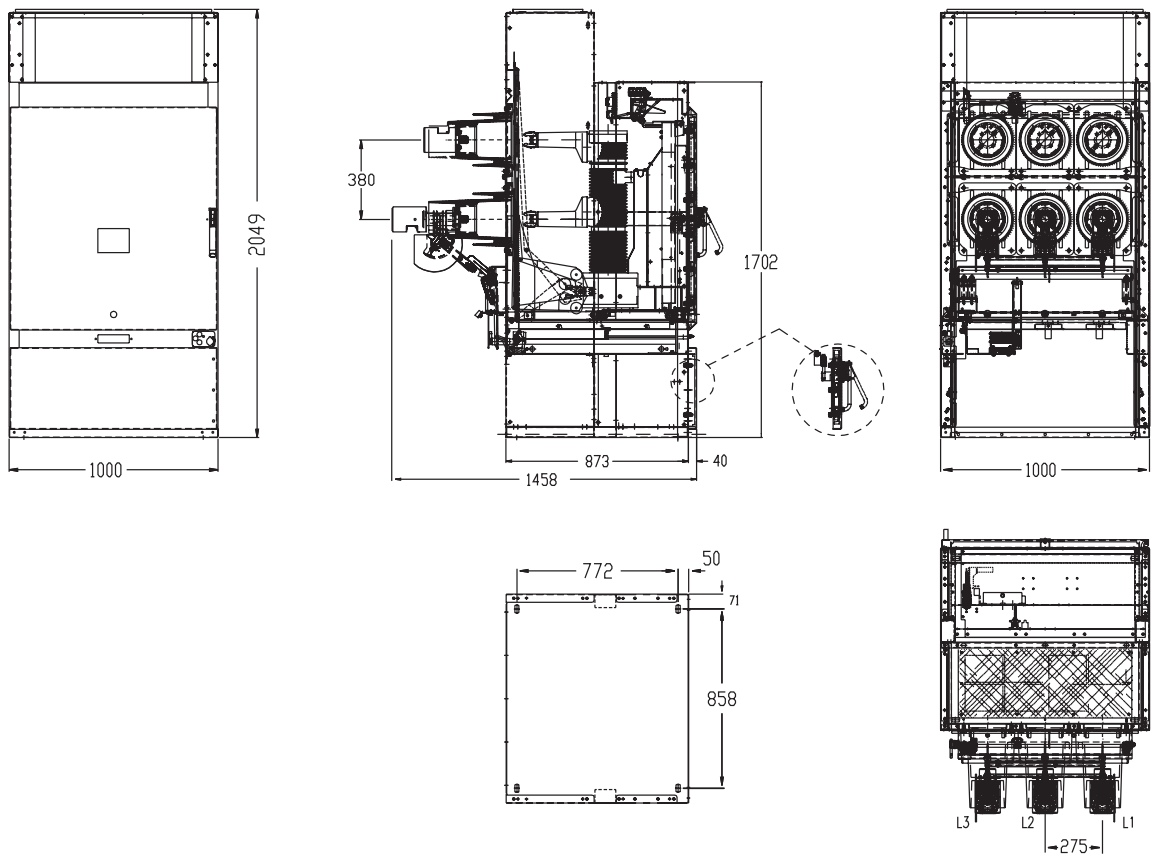


HD4/W 36 kV

Overall dimensions



PB6 PowerCube module - 630-1250 A - with branches



PB6 PowerCube module - 630-1250 A - with terminals

For more information please contact:

**ABB S.p.A.**

**Power Products Division**

**Unità Operativa Sace-MV**

Via Friuli, 4

I-24044 Dalmine

Tel.: +39 035 6952 111

Fax: +39 035 6952 874

E-mail: [info.mv@it.abb.com](mailto:info.mv@it.abb.com)

**[www.abb.com](http://www.abb.com)**

The data and illustrations are not binding. We reserve the right to make changes without notice in the course of technical development of the product.

© Copyright 2012 ABB. All rights reserved.