

---

 TECHNICAL DATA SHEET

# PMAFIX Plus - BUWV-M-UL - Fitting

## 90° elbow, metric thread

### PMA



UL-listed polyamide fitting for flexible non-metallic conduit



#### Applications:

- For cable protection systems in a wide range of applications
- Excellent fire characteristics allow application in public buildings like hospitals, hotels, airports, train and subway stations, shopping centres etc.
- For use according to National Electric Code (NEC) NFPA 70, Article 356

#### Features & Benefits:

- Extremely High impact resistance
- Vibration-resistant connection to PMA conduits
- Easy installation
- High conduit pull-out strength
- Very good chemical properties
- Fits conduit profile coarse (G)

#### Ingress protection:

- IP66, IP68 & IP69 (EN/IEC 60529)
- IP69, 100 bar with Water impact protection (WPS-ring)

#### Materials:

- High-grade, specially formulated polyamide 6

#### Compatible with:

- PMAFLEX Plus conduits

#### Conforms to:

- UL 514B / CSA C22.2 No. 18.3 (UL File E174370)
- UL 94 (V0)

#### Colour:

- Black
- Grey

#### Chemical properties:

- Please refer to [www.pma.ch](http://www.pma.ch) (Technical Information / Chemical Resistance)

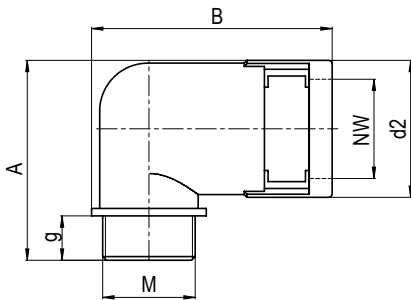
#### Environmental properties:

- Free from halogens and cadmium
- RoHS and REACH compliant

**Product selection:**

Part no.		Thread size	Conduit size	Dimensions in mm (nom.)				Weight	Packing unit
black	grey	metric	NW	g	d2	A	B	kg/100 pcs	pcs/PU
BUWV-M207-UL	SUWV-M207-UL	M20x1.5	17	11.0	29.5	43.5	58.5	1.9	50
BUWV-M253-UL	SUWV-M253-UL	M25x1.5	23	12.0	37.0	54.0	65.0	3.1	30
BUWV-M329-UL	SUWV-M329-UL	M32x1.5	29	15.0	44.0	64.5	73.0	4.6	20
BUWV-M406-UL	SUWV-M406-UL	M40x1.5	36	19.0	53.5	78.0	96.0	6.9	20
BUWV-M508-UL	SUWV-M508-UL	M50x1.5	48	19.0	66.0	91.5	106.0	9.8	10

Our customer service dept. or local distribution partner will be pleased to help you concerning product availability and lead time



Mechanical Properties:	Value:	Test parameters:	Test method:
Tensile modulus	1'200 ... 3'700 N/mm <sup>2</sup>		ISO 527
Tensile strength	45 ... 65 N/mm <sup>2</sup>		ISO 527
Notched bar impact test	4 ... 20 kJ/m <sup>2</sup>		ISO 180/1C

Thermal properties:	Value:	Test parameters:	Test method:
Continuous application temperature	- 50 ... + 105 °C		PMA DO 9.21-4510
Upper application temperature	+ 120 °C		PMA DO 9.21-4360
Short-term	+ 160 °C		PMA DO 9.21-4360
		(168 h)	

Fire safety properties:	Value:	Test parameters:	Test method:
Flame class	V0 (V2)		UL 94
Glowing wire test	960 °C		EN 60695-2-10
Oxygen index (LOI)	> 30 %		ASTM D 2863

**Content of delivery:**

- Fitting with conduit locking clip (AUN2)
- Conduit gasket (NVN3)
- Thread gasket (SVN4)
- Compatible lock nut (BMN-M)

**Assembly instructions:**

- Please consider the appropriate assembly instructions on [www.pma.ch](http://www.pma.ch)

ABB Switzerland Ltd,  
PMA Cable Protection  
Aathalstrasse 90  
8610 Uster, Switzerland  
Phone: +41 58 585 00 11  
pma-info@ch.abb.com  
[www.pma.ch](http://www.pma.ch)

Let's write the future.  
Together. **abb.com**

We reserve the right to make technical changes or modify the contents of this document without prior notice. With regard to purchase orders, the agreed particulars shall prevail. ABB Installation Products Inc. does not accept any responsibility whatsoever for potential errors or possible lack of information in this document.

We reserve all rights in this document and in the subject matter and illustrations contained therein. Any reproduction, disclosure to third parties or utilization of its contents – in whole or in parts – is forbidden without prior written consent of ABB Inc. Copyright© 2019 ABB Installation Products Inc. All rights reserved

