



DATASHEET

THOMESURGE(P)

Residential Surge Protection Device



Features:

- 36 kA per Phase
- UL 1449 Listed
- 10 kA I-nominal Rating
- 200 kA SCCR
- 3 Year Standard Warranty
- Meets NEC 2020 Requirements

Product Specifications

General Specifications

Maximum Surge Current	36 kA per Phase
UL Type Designation	Type 1
UL 1449 I-nominal Rating	10 kA
UL 1449 Short Circuit Current Rating	65 kA

Design Specifications

Custom MOV design for High Energy Handling in Category C locations
Thermally Protected MOVs
External Parallel Connected for Mounting next to Electrical Gear
Reduced Mode of Protection (L1-N, L2-N)

Diagnostic & Status Monitoring Specifications

LED Protection Status Monitoring (Single LED Standard)
--

Enclosure

Polycarbonate 4.25" x 2.41" x 2.75"
Lid ultrasonically sealed
NEMA 4X
1/2 inch NPT Side Mount Nipple

Filtering

NO

Technical data

Humidity Range	0 – 95% non-condensing					
Operating Frequency	50 – 60 Hz					
Operating Temperature	–35°C to +85°C					
Typical Connection	18" #12 AWG (pre-wired pig tails)					

UL 1449 Performance Data

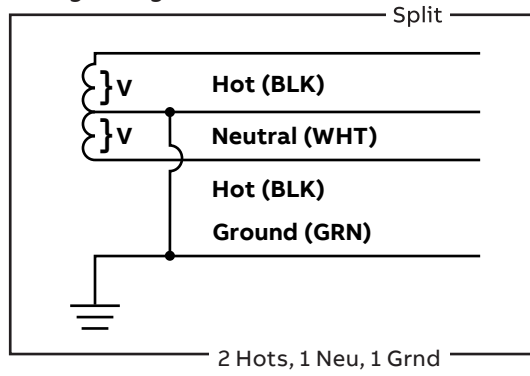
System Voltage	L-N	L-G	N-G	L-L	SCCR	MCOV
240/120V Split Ø	700	–	–	1200	200 kA	180

Standards Compliance & Certifications

UL 1449 5th Edition: 2021, cULus, (UL File: VZCA.E316468), ANSI/IEEE C62.41.1-2002, C62.41.2-2002, C62.45-2002, NEC Article 285
 ISO 9001: 2014 Quality Management System, ISO 17025:2007 Laboratory Certification (UL DAP Program) Compliance with RoHS, REACH & California Prop 65.

100% Quality Tested prior to shipping

Wiring Configuration



Size and Mechanical Specifications

Dimensions	4.25" × 2.41" × 2.75"
Weight	0.46 lbs
Enclosure Type	Polycarbonate NEMA 4X
Installation Type	Indoor / Outdoor
Mounting Method	Flush / Flange / Through-hole

Product Diagram

