

DATASHEET

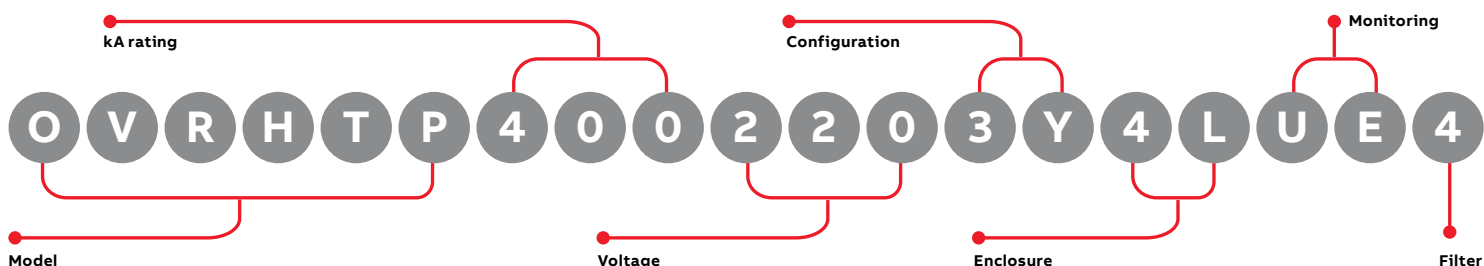
# OVRHTP-400

## Surge protective devices



### Product features

- UL Listed 1449 5th edition for Type 1 and Type 2 SPD applications
- Thermally protected MOVs provide superior protection and continuous operation
- 200 kAIC short circuit current rating allows direct bus connection without the need for an upstream over-current protection device
- UL 1283 EMI/RF filter available as an option
- Compact and lightweight design
- 10-year standard warranty



### Model number scheme

kA rating	Suffix
400 kA per phase, 200 kA per mode	400

Voltage and configuration (must choose one)	Suffix
120 V, 1-phase, 2-wire + ground	1201P
127 V, 1-phase, 2-wire + ground	1271P
220 V, 1-phase, 2-wire + ground	2201P
230 V, 1-phase, 2-wire + ground	2301P
240 V, 1-phase, 2-wire + ground	2401P
277 V, 1-phase, 2-wire + ground	2771P
240/120 V, 2-phase, 3-wire + ground	1202S
480/240 V, 2-phase, 3-wire + ground	2402S
240Δ/120 V, 3-phase high-leg, 4-wire + ground	1203H
208Y/120 V, 3-phase Wye, 4-wire + ground	1203Y
380Y/220 V, 3-phase Wye, 4-wire + ground	2203Y
400Y/230 V, 3-phase Wye, 4-wire + ground	2303Y
415Y/240 V, 3-phase Wye, 4-wire + ground	2403Y
480Y/277 V, 3-phase Wye, 4-wire + ground	2773Y
600Y/347 V, 3-phase Wye, 4-wire + ground	3473Y
208 V, 3-phase Delta, 3-wire + ground	2083D
240 V, 3-phase Delta, 3-wire + ground	2403D
415 V, 3-phase Delta, 3-wire + ground	4153D
480 V, 3-phase Delta, 3-wire + ground	4803D
600 V, 3-phase Delta, 3-wire + ground	6003D

Enclosure option	Suffix
Polycarbonate with termination lugs	PL
Powder-coated metal NEMA 4 with termination lugs	4L
Stainless steel NEMA 4X with termination lug	SL

Monitoring option (must choose one)	Suffix
Status indicator LED lights (one per phase)	B
Status indicator LED lights (one per phase), dry relay contacts, audible alarm with silence button, fault light	U
Status indicator LED lights (one per phase), surge counter, dry relay contacts, audible alarm with silence button, fault light	UE

Filter option	Suffix
4 UF filter	4
UL 1283 filter making device a Type 2	4T2
No filter	0

# Product specifications

## Electrical

Maximum surge current rating	400 kA per phase, 200 kA per mode
Nominal discharge current rating (L-N)	20 kA
Operating frequency	47–63 Hz
Connection method	Termination lugs for #10–#4 AWG conductor
Modes of protection	All modes (L-N, L-G, N-G, L-L)
Fault rating (SCCR)	200 kAIC — no upstream over-current protection device (breaker or fuse) required
Application	ANSI/IEEE C62.41.1 locations A, B and C ideal for distribution panels, branch panels and critical loads

## Mechanical

Installation location	Indoor or outdoor
Mounting method	Dual mounting flanges
Operating environment	-40 °F to 149 °F (-40 °C to +65 °C) 5%–95% non-condensing humidity
Altitude	0–12,000 ft (3.66 km)
Product design	Individual thermally fused MOV technology

## EMI/RFI filter attenuation

Mil Standard 220B	Up to 40 dB from 10 kHz to 100 MHz
-------------------	------------------------------------

## Regulatory

cULus 1449 5th Edition	VZCA: E316636 Type 1
UL 1283 with filter option	Yes
UL96A compliant	Yes
IEEE C62.41.2, C62.45	Yes
NFPA 70 (NEC), Article 285	Yes
RoHs compliant	Yes
Listed by	UL

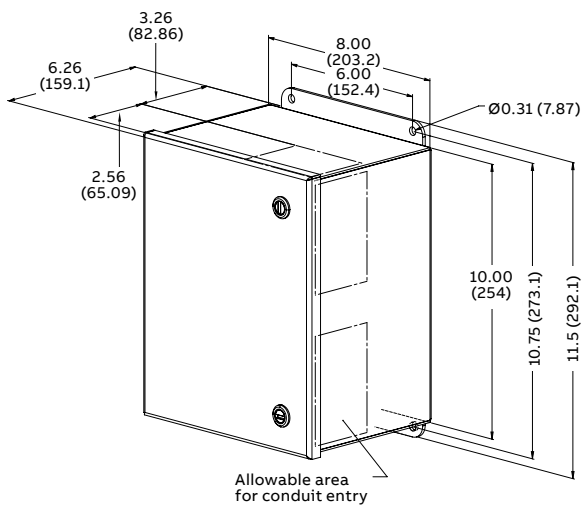
## Warranty

**10 years**

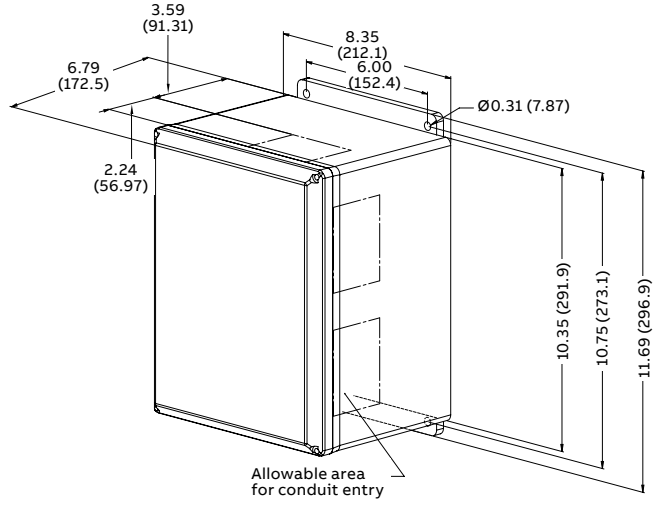
# Performance data

Model no.	System voltage	Protective mode	MCOV	B3 ring wave, 6 kV, 500 A	B3/C1 combo wave, 6 kV, 3 kA	C3 combo wave, 20 kV, 10 kA	UL 1449 5th edition, 6 kV, 3 kA VPR
OVRHTP4001201PPXX	120V	L-N	150 V	369 V	579 V	765 V	600 V
OVRHTP4001271PPXX	127 V	L-G	150 V	598 V	666 V	863 V	700 V
		N-G	150 V	626 V	581 V	860 V	600 V
OVRHTP4002201PPXX	220V	L-N	320 V	379 V	965 V	1339 V	1000 V
OVRHTP4002301PPXX	230V	L-G	320 V	920 V	1047 V	1298 V	1200 V
OVRHTP4002401PPXX	240V	N-G	320 V	930 V	981 V	1339 V	1000 V
OVRHTP4002771PPXX	277V						
OVRHTP4001202SPXX	240/120 V	L-N	150 V	369 V	579 V	865 V	600 V
OVRHTP4001203YPXX	208Y/120 V	L-G	150 V	598 V	666 V	890 V	700 V
		N-G	150 V	626 V	581 V	878 V	600 V
		L-L	300 V	386 V	907 V	1349 V	1000 V
OVRHTP4002402SPXX	480/240 V	L-N	320 V	379 V	965 V	1339 V	1000 V
OVRHTP4002203YPXX	380Y/220 V	L-G	320 V	920 V	1047 V	1298 V	1200 V
OVRHTP4002303YPXX	400Y/230 V	N-G	320 V	930 V	981 V	1339 V	1000 V
OVRHTP4002403YPXX	415Y/240 V	L-L		427 V	1713 V	2101 V	1800 V
OVRHTP4002773YPXX	480Y/277 V						
OVRHTP4003473YPXX	600Y/347 V	L-N	420 V	397 V	1229 V	1607 V	1500 V
		L-G	420 V	1200 V	1321 V	1700 V	1500 V
		N-G	420 V	1200 V	1318 V	1617 V	1500 V
		L-L	690 V	540 V	2180 V	2606 V	2500 V
OVRHTP4002033HPXX	240Δ /120 V	L-N	150 V	341 V	579 V	765 V	600 V
		H-N	320 V	391 V	1005 V	1339 V	1200 V
		L-G	150 V	386 V	666 V	863 V	700 V
		H-G	320 V	975 V	1000 V	1298 V	1000 V
		N-G	150 V	518 V	581 V	860 V	600 V
		L-L	300 V	469 V	907 V	1349 V	1000 V
		H-L	470 V	732 V	1283 V	2104 V	1500 V
OVRHTP4002083DPXX	208V	L-G	320 V	598 V	1021 V	863 V	1200 V
OVRHTP4002403DPXX	240V	L-L	320 V	386 V	907 V	1112 V	1000 V
OVRHTP4004153DPXX	415V	L-G	552 V	920 V	1508 V	1298 V	1800 V
OVRHTP4004803DPXX	480V	L-L	640 V	427 V	1777 V	2101 V	1800 V
OVRHTP4006003DPXX	600V	L-G	690 V	1200 V	2180 V	1627 V	2500 V
		L-L	690 V	540 V	2180 V	2565 V	2500 V
OVRHTP4002301PIPXX	230V	L-N	320 V	379 V	965 V	1339 V	1000 V
OVRHTP4002301PJXX	230V	L-G	320 V	920 V	1047 V	1298 V	1200 V
OVRHTP4002301PKPXX	230V	N-G	320 V	930 V	981 V	1339 V	1000 V
OVRHTP4002301PLPXX	230V						

# Dimensions



400 kA metal enclosure with lugs



400 kA polycarbonate enclosure with lugs

All measurements in inches (millimeters).

kA	Enclosure type	Pre-wired	Weight in lbs	Weight in kg
400	Metal	No	16	7.26
400	Polycarbonate	No	10	4.54

**ABB Inc.**  
305 Gregson Dr  
Cary, NC 27511  
USA

We reserve the right to make technical changes or modify the contents of this document without prior notice. With regard to purchase orders, the agreed particulars shall prevail. ABB Inc. does not accept any responsibility whatsoever for potential errors or possible lack of information in this document

We reserve all rights in this document and in the subject matter and illustrations contained therein. Any reproduction, disclosure to third parties or utilization of its contents – in whole or in parts – is forbidden without prior written consent of ABB Inc. Copyright © 2023 ABB