

1

2

3

4

5

6

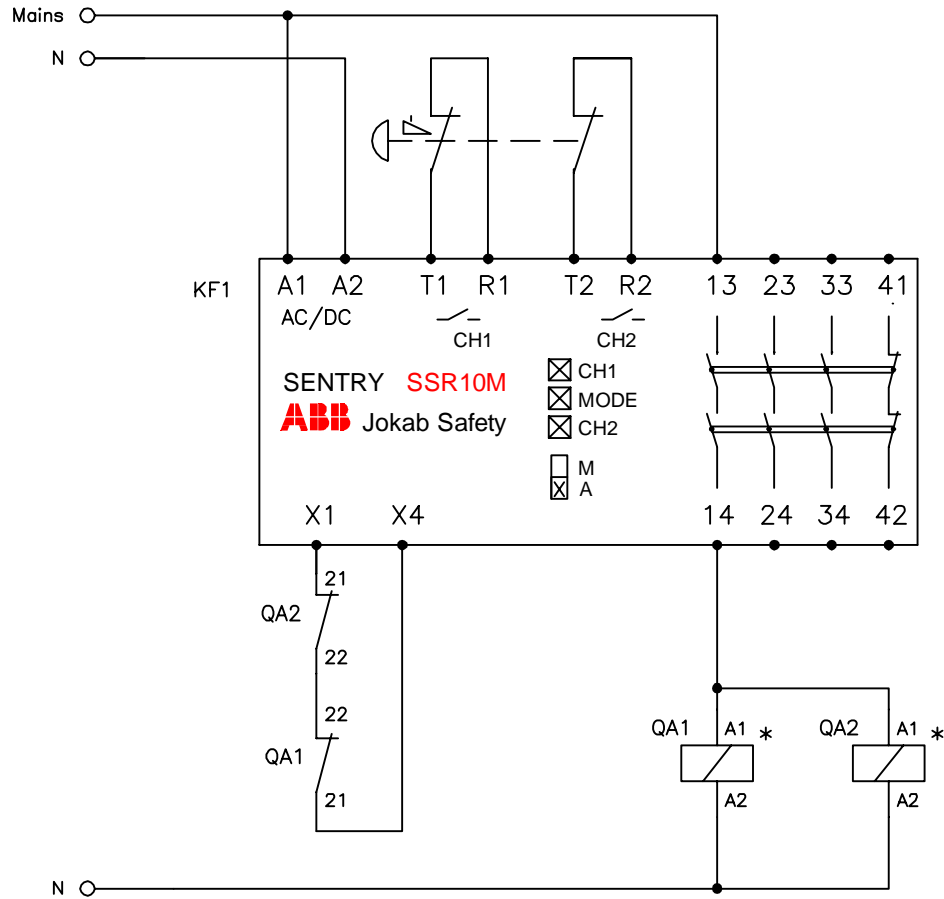
7

8

9

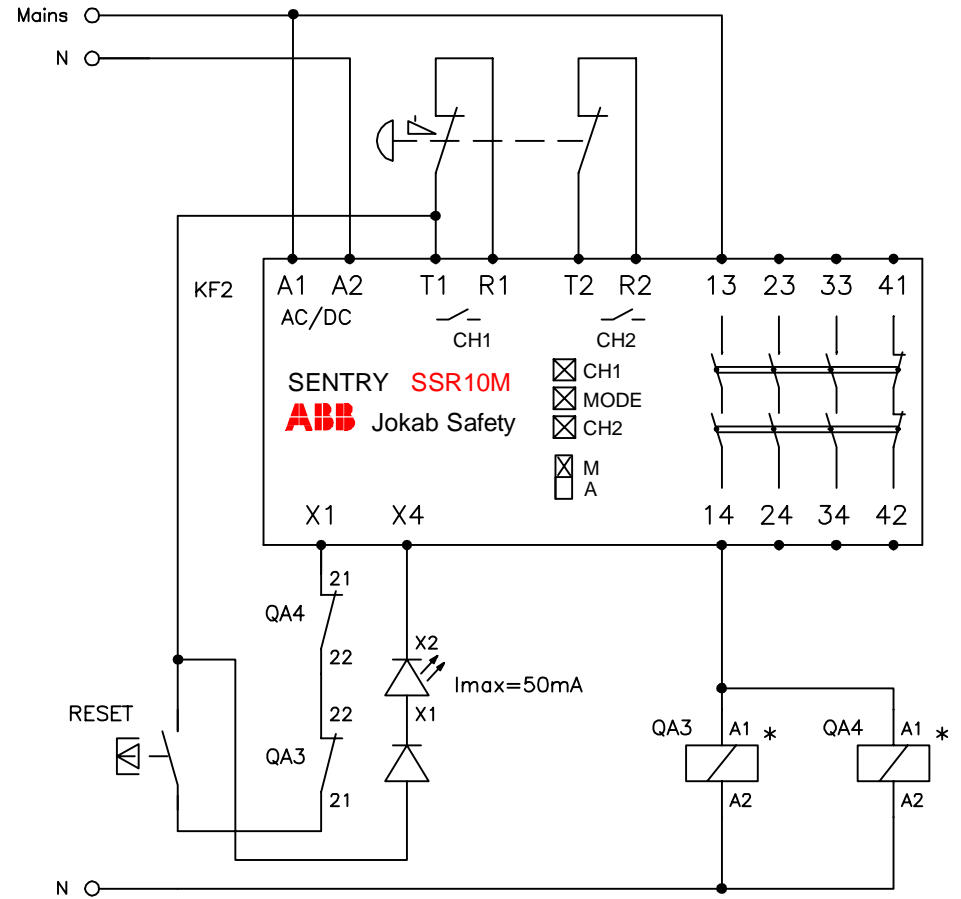
10

A) Two signals from T1/T2 with Auto reset



* NOTE! Always use transient suppressors when inductive loads

B) Two signals from T1/T2 with Manual reset



* NOTE! Always use transient suppressors when inductive loads

Anmärkning Remark

CONNECTION EXAMPLE SSR10M

ABB Jokab Safety

Konstr Design	Godk Appr	Datum Date	Blad Sheet
ABB		20170308	
Ritad Drawn	Sidor Pages	Ritn nr Drawing no	Forts Cont
ABB		2TLC010008T0001	