

This document is issued by means of a computerized system. The digitally stored original is electronically approved. The approved document has a date entered in the "Approved"-field. A manual signature is not required.

We reserve all rights in this document and in the information contained therein. Reproduction, use or disclosure to third parties without express authority is strictly forbidden.

Revision	Revision text
D	Phase to Ground Voltage changed from 123 to 98kV

Bushing Data:

Rated Voltage	170	kV
Phase to Ground Voltage	Δ 98	kV
Dry Lightning Impulse 1,2/50 μ s	550	kV
Wet power frequency AC	230	kV
Routine test 1min dry 50Hz	260	kV
Rated Current	1250	A
Creepage Distance	3430 \pm 100	mm
Creepage Distance Protected	1350	mm
Mass	119	kg

Ordering Data:

BUSHING	COLOUR AIR INSULATOR	
LF123109-K	BROWN	
LF123109-L	LIGHT GREY	
LF123109-HK	BROWN Horizontal 45°-90°	
LF123109-HL	LIGHT GREY Horizontal 45°-90°	
OUTER TERMINAL	Material D L	
LF 170 002-B	Cu alloy \varnothing 30,125	
LF 170 001-B	Al, \varnothing 30,125	
OTHER TYPES ON REQUEST		
INNER TERMINAL FOR STRANDED CABLE		
For brazing	Conductor area	D1
LF 170 011-T	up to 285mm ²	\varnothing 29
LF 170 011-V	Undrilled with pilot hole \varnothing 5	
SOLID ROD CONNECTOR	Material	
LF 170 052 -AR for Alt.1	Cu	
LF 170 052 -AS for Alt.2	Cu	

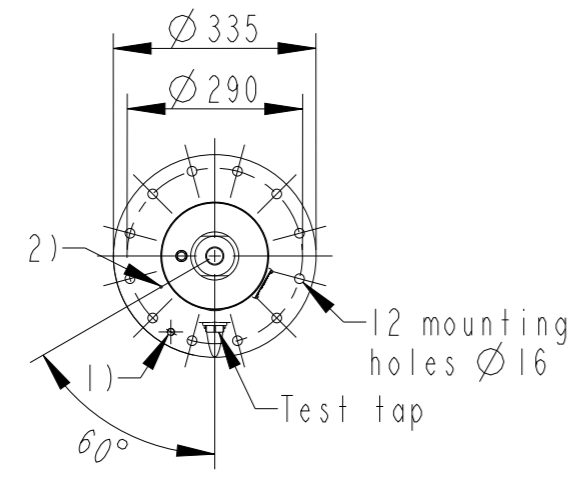
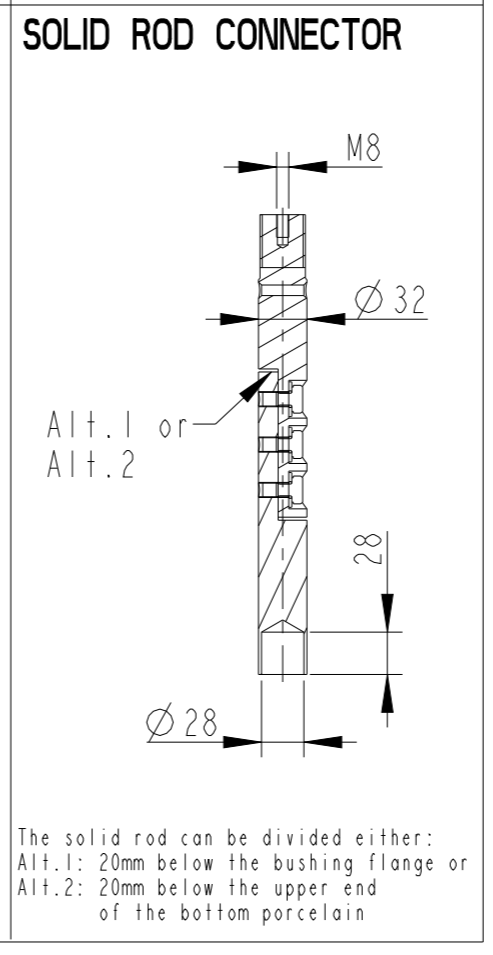
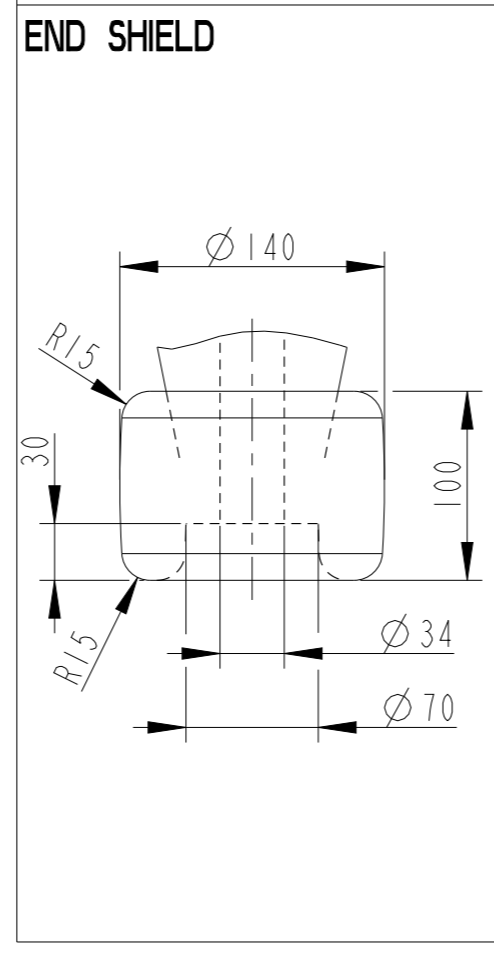
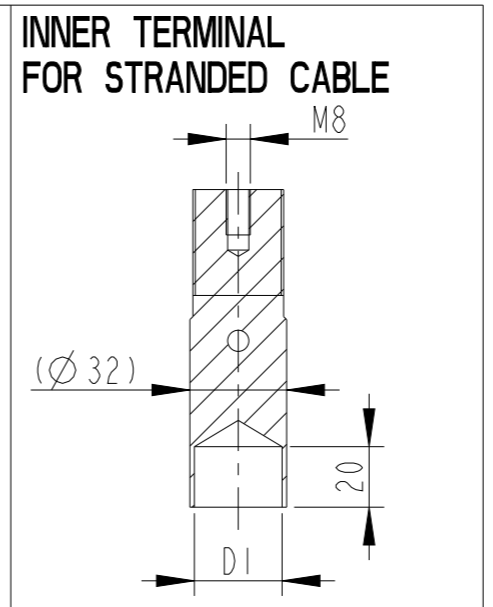
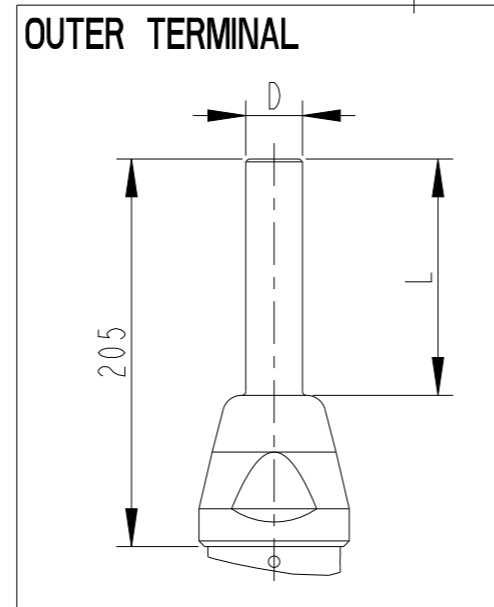
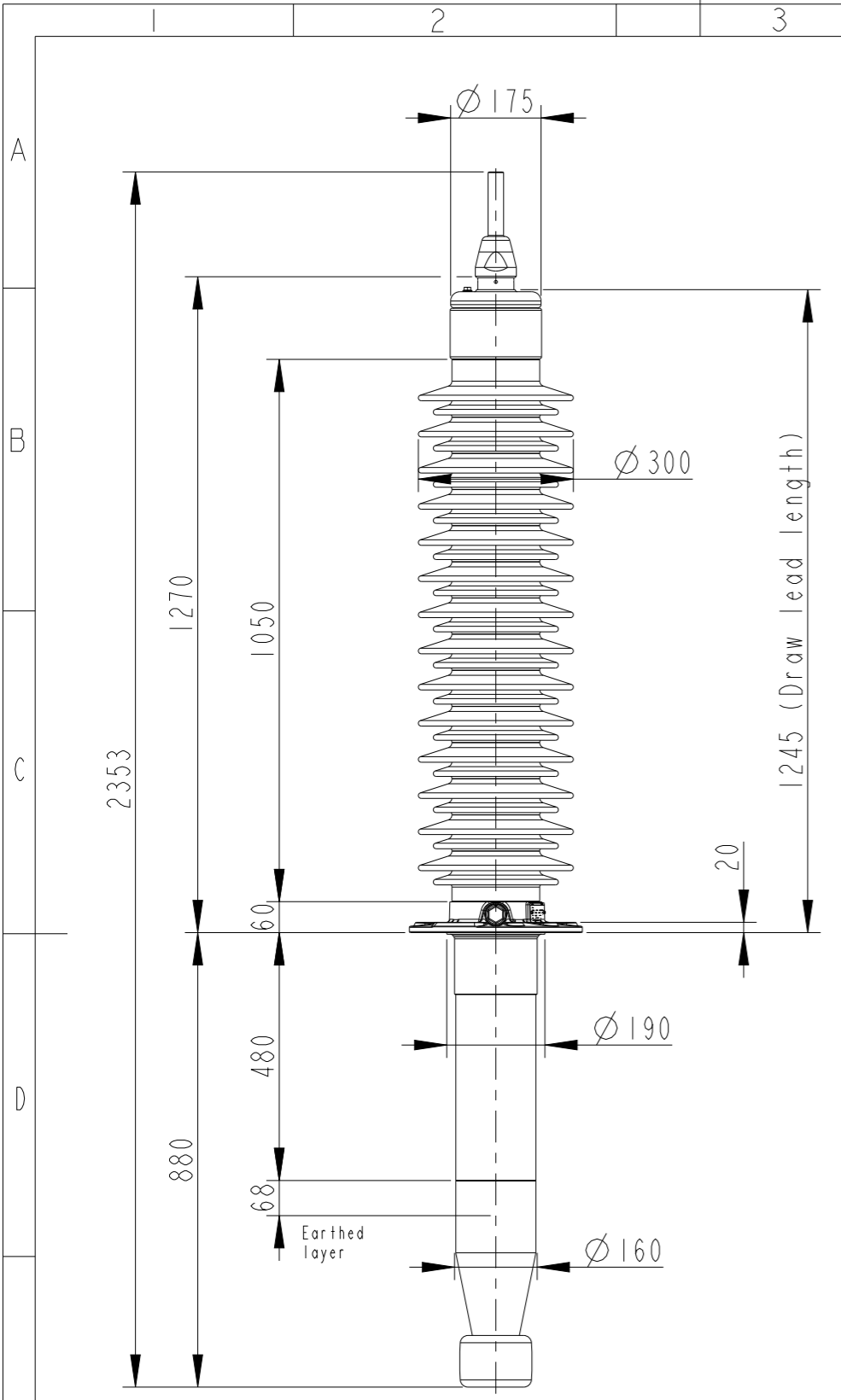


ABB		Ludvika, Sweden	
No.	Um	kV Ir	A 50/60 Hz
BL	kV SL	kV AC	kV
M	kg L	mm	✓
C1	pF	Tan δ	x
C2	pF	Tan δ	x

- 1) M12 (For Earthing)
- 2) \varnothing 4 Oil connection hole (only valid for horizontal mounting)

Created by Jacob Stefansson	Reviewed by Joakim Persson	Approved by Natalia Gutman
Approved 2019-11-06	Document Kind Outline Drawing	Based on doc.id Work order id Project id
Company ABB Technology Ltd	Title, Supplementary title GOB 550-1250-0.5 WITHOUT OIL LEVEL GAUGE STD END SHIELD	
Responsible Department SEABB-9AAE300824	Document id 2751369-155	Status Released
ABB	Revision D	Iteration 1/1
	Sheet 1/1	