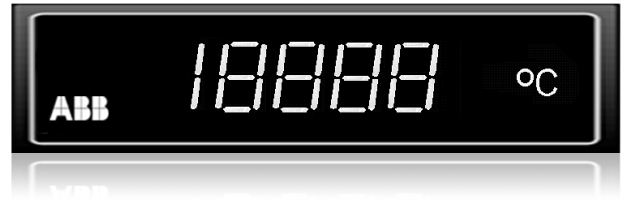


Digital Indicator DS 96/24-4



The indicator is suitable for measuring direct voltage or direct current. The units are installed in a rugged plastic housing and can be integrated into all conventional grid systems. The indication value can be matched to the measuring signal by using the potentiometers.

Technical data

Readout

Display
Seven-segment display: 10 mm high
Colour red or green

Maximum reading
± 19999 digit

Sign
automatic (-), no positive sign

Overload display
by flashing „0000“, the decimal point display remains

Decimal point
via solder jumpers, beneath the terminals, selectable

Display control
Segment test, retrace blanking display or display storage
(not electrically isolated from measuring input)

Power supply

Direct voltage
24 V (18...32 V) electrically isolated from measuring circuit

Alternating voltage
24 V (+ 10 %/- 20 %), 48...62 Hz, electrically isolated from measuring circuit

Current drain
approx. 1 W (VA)

Measuring input

Measuring method
Dual-slope, conversion rate 2.5/s

Measuring ranges DC
0... 2 V
0...10 V
0...20 V
0...20 mA
4...20 mA

Input resistance
approx. 1 MΩ for voltage measurement
approx. 100 Ω for current measurement

Deviations

Linearity
0.05 % of range final value ± 1 digit (at 23 °C)

Temperature coefficient
0.05 %/10 °C

Suppression
SMR > 40 dB (50 Hz)
CMR > 100 dB (0/50 Hz)

General and safety data

Electromagnetic compatibility
to EN 55011 Class A
to EN 50082-1

Low-voltage regulation to EN 61010-1 met

Environmental capability

Operating temperature range
0...50 °C

Transport and storage temperature
-40...+75 °C

Relative humidity
max. 75 %, no condensation

Case and mounting

Dimensions
95.4 mm × 23.4 mm × 114 mm

Installed depth
130 mm panel depth

Panel cutout
90^{+0.8} mm x 18^{+0.3} mm

Mounting
Panel or rack
(H&B-Unibloc, Kreutzenbeck, Mauell, Subklew, Siemens)

Material
Plastic

Front panel colour
black (grey as option)

Connection
Screw terminals for max. 1.5 mm²

Type of protection
Case IP 50
Terminals IP 20

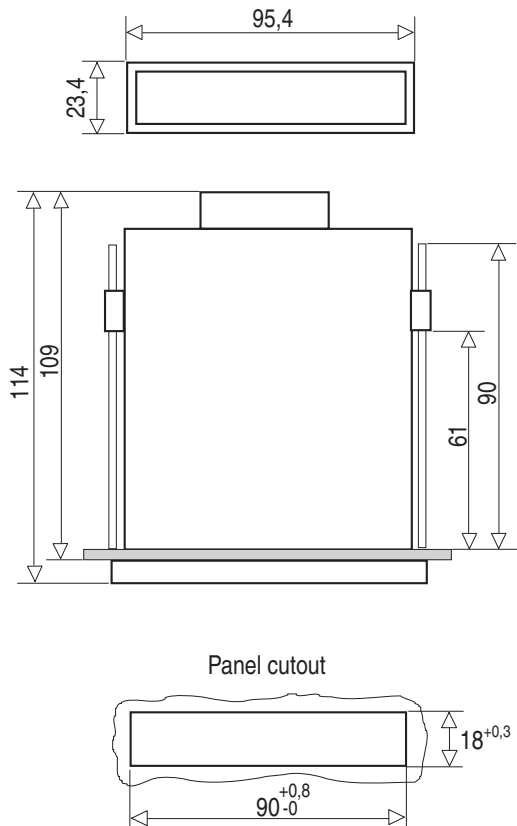
Weight
approx. 150 g

Terminal layout

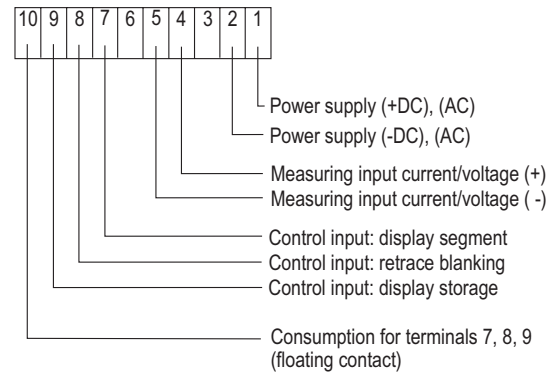
Terminal 1: power supply AC/+ DC
Terminal 2: power supply AC/- DC
Terminal 3: free
Terminal 4: measuring input +
Terminal 5: measuring input -
Terminal 6: free
Terminal 7: display segment test
Terminal 8: retrace blanking display
Terminal 9: display storage
Terminal 4: consumption for terminals 7-9
(activated via floating contact)

Dimensional drawing and connection diagram

Dimensional drawing (dimensions in mm)



Terminal diagram



Ordering information												
							Catalog No.			Code		
Digital indicator DS 96/24-4							V33143A-			0 0 0		
Measuring input												
0...2 V							1					
0...20 V							2					
0...20 mA							5					
4...20 mA							6					
other							0					
Decimal point position												
0.0000							1					
00.000							2					
000.00							3					
0000.0							4					
without							0					
Power supply												
24 V DC							1					
24 V AC							3					
Display control												
without							0					
Display storage							1					
Retrace blanking display							2					
Segment test							5					
Specialities												
other measuring range (consider alarm data)							(clear text)			326		
Display range other than measuring range (state assignment of input to display)							(clear text)			361		
Dimension according to table							(clear text)			368		
Dimension as required (max. 5 characters)							(clear text)			369		
green LED										556		
special lettering (max. 10 characters)							(clear text)			566		
Bezel grey RAL 7037										568		
Rack mounting												
H&B Unibloc										571		
Mauell										572		
Operating Manual¹⁾												
German/English										Z1Y		

¹⁾ 1 copy in German included in the basic supply; no specification required; extra Operating Manuals must be paid (please specify number)

Dimensional labelling													
	Code		Code		Code		Code		Code		Code		Code
none	400	kW	406	A	412	MN	418	m ³	424	N	430	ppm	436
V	401	MW	407	mA	413	%	419	g	425	bar	431	K	437
mV	402	Ω	408	μA	414	‰	420	kg	426	m/min	432	l/h	438
kV	403	mΩ	409	°C	415	cm	421	t	427	U/min	433	t/h	439
mW	404	kΩ	410	°∠	416	mm	422	m ³ /h	428	δ	434	Hz	440
W	405	MΩ	411	kN	417	m	423	ph	429	mbar	435		

Contact us

ABB Ltd.

Process Automation

Howard Road, St. Neots
Cambridgeshire, PE19 8EU
UK

Phone: +44 (0)1480 475321

Fax: +44 (0)1480 217948

ABB Inc.

Process Automation

125 E. County Line Road
Warminster PA 18974
USA

Phone: +1 215 674 6000

Fax: +1 215 674 7183

ABB Automation Products GmbH

Process Automation

Borsigstr. 2
63755 Alzenau
Germany

Phone: +49 551 905-534

Fax: +49 551 905-555

www.abb.com

Note

We reserve the right to make technical changes or modify the contents of this document without prior notice. With regard to purchase orders, the agreed particulars shall prevail. ABB does not accept any responsibility whatsoever for potential errors or possible lack of information in this document.

We reserve all rights in this document and in the subject matter and illustrations contained therein. Any reproduction, disclosure to third parties or utilization of its contents – in whole or in parts – is forbidden without prior written consent of ABB.

Copyright© 2011 ABB

All rights reserved

3KXJ300002R1001

10/33-2,12-EN.01.2011