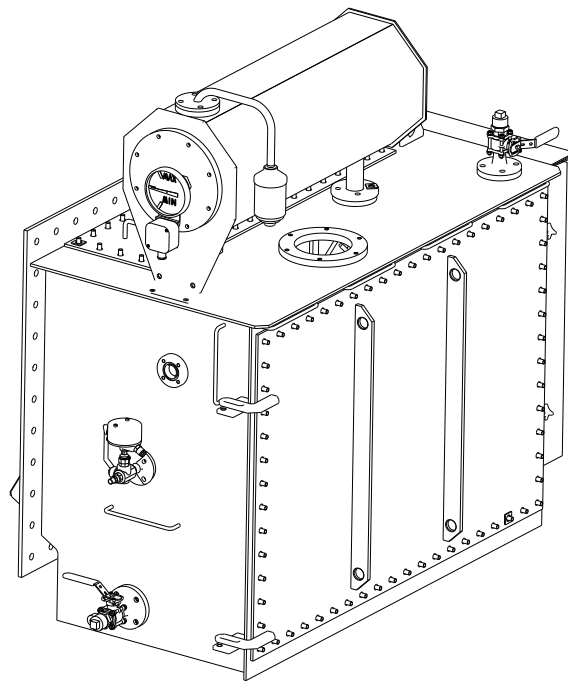
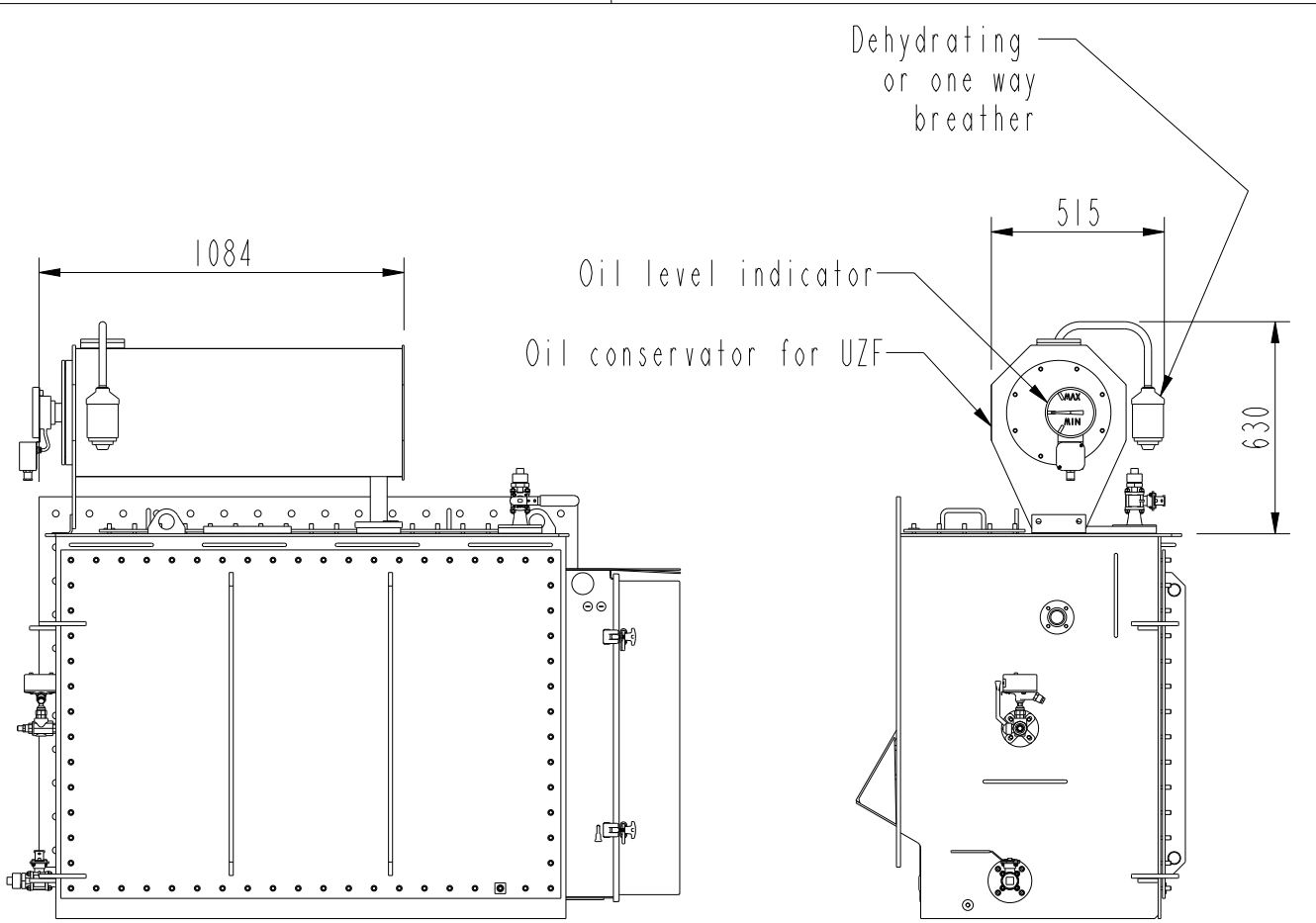




This document is issued by means of a computerized system. The digitally stored original is electronically approved. The approved document has a date entered in the 'Approved'-field. A manual signature is not required.



The information contained in this document has to kept strictly confidential. Any unauthorized use, reproduction, distribution or disclosure to third parties are strictly forbidden. ABB reserves all rights regarding Intellectual Property Rights. © Copyright 2013 ABB. All rights reserved.

Prepared	2016-12-13	Responsible department	PGCO/TK	Title			
Modified by	2017-01-09	Take over department				OIL CONSERVATOR TAP CHANGER UZF 380	Language
Approved by	2017-01-09	Used in product					Sheet no.
Revision	A		Order	Document no.	No. Shts.		
				54920090-11	(1)		