
 TECHNICAL DATA SHEET

PMA Ex system – NEWV - Fitting

90° elbow, IP68, metric thread

PMA



IP68, metal thread fitting for PMA Ex Non Metallic System



Applications:

- For indoor and outdoor applications in hazardous areas

Features & Benefits:

- Prevents electrostatic charging
- For indoor and outdoor applications
- High connection strength - to conduit and mating parts on thread side
- Corrosion resistant
- Easy installation
- Very good chemical properties
- For Zone 1, 2, 21 & 22

Ingress protection:

- IP66, IP68 & IP69 (IEC EN 60529)
- IP69, 100 bar with Water impact protection (WPS)

Materials:

- Fitting body: Dissipative polyamide 12
- Thread: Nickel-plated brass

Compatible with:

- PMA Ex-System Conduit

Conforms to:

- IEC EN 60079-0, IEC EN 60079-7, IEC EN 60079-31
- GB/T 3836.1, GB/T 3836.3, GB/T 3836.31

Certificates:

- ATEX: SEV 15 ATEX0121X
- IECEx: IECEx SEV15.0009X
- CCCEX: 2024122313118136

Ex-Markings:

- Ex eb IIC Gb
- Ex tb IIIC Db

Weathering resistance:

- Very good UV resistance and weathering characteristics

Colour:

- Black

Chemical properties:

- Please refer to www.pma.ch for more technical information and informations on chemical resistance

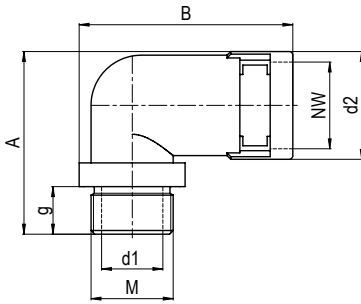
Environmental properties:

- Free from halogens and cadmium
- RoHS and REACH compliant

Product selection:

Part no.	Thread size	Conduit size	Dimensions in mm (nom.)					Weight	Packing unit
			g	d1	d2	A	B		
black	metric	NW						kg/100 pcs	pcs/PU
NEWV0303	M16x1.5	12	11.0	9.5	23.5	42.0	46.5	2.3	10

Our customer service dept. or local distribution partner will be pleased to help you concerning product availability and lead time



Mechanical Properties:	Value:	Test parameters:	Test method:
Tensile modulus	1100 N/mm ²		ISO 527
Tensile strength	35 N/mm ²		ISO 527
Fitting impact strength	> 7 J	(85°C)	EN 60079-0
Fitting impact strength (NW10-12)	> 7 J	(-5°C)	EN 60079-0
Fitting impact strength (NW17-48)	> 7 J	(-20°C)	EN 60079-0

Thermal properties:	Value:	Test parameters:	Test method:
For use in hazardous locations:			
Temperature range in combination with PMA XESX conduit sizes 02-03 (NW10-12)	-05 ... +85 °C		EN 60079-0
Temperature range in combination with PMA XESX conduit sizes 04-08 (NW17-48)	-20 ... +85 °C		EN 60079-0
General:	-50 ... +95 °C		

Electrical properties:	Value:	Test parameters:	Test method:
Surface resistivity	< 10 ⁷ Ω		ASTM D257

Content of delivery:

- Fitting with conduit locking clip (EVN2)
- Ex-System conduit gasket (NEN3)
- Thread gasket (SVN4)
- O-ring (OR)

Assembly instructions:

- Please consider the appropriate assembly instructions on www.pma.ch
- O-ring or thread gasket, select the best solution for your application

ABB Switzerland Ltd,
PMA Cable Protection
Aathalstrasse 90
8610 Uster, Switzerland
Phone: +41 58 585 00 11
pma-info@ch.abb.com
www.pma.ch

Let's write the future.
Together. **abb.com**

We reserve the right to make technical changes or modify the contents of this document without prior notice. With regard to purchase orders, the agreed particulars shall prevail. ABB Installation Products Inc. does not accept any responsibility whatsoever for potential errors or possible lack of information in this document.

We reserve all rights in this document and in the subject matter and illustrations contained therein. Any reproduction, disclosure to third parties or utilization of its contents – in whole or in parts – is forbidden without prior written consent of ABB Inc. Copyright© 2019 ABB Installation Products Inc. All rights reserved

