
MEDIUM VOLTAGE PRODUCT

KOKM 072 xA 10, KOKM 072 xB 10

Indoor cable current transformers



Description

KOKM 072 xA 10 and KOKM 072 xB 10 – These indoor ring core current transformer types supply metering and protection devices at a maximum nominal voltage of 0.72 kV and nominal frequency of 50 or 60 Hz.

The transformers can be mounted inside the RMU switchgear. Secondary circuits should be mounted using copper wires with a crosssection 4 mm² (strand) or 6 mm² (solid conductor).

The transformers are designed and manufactured in conformity with the following standards and recommendations: IEC, VDE, ANSI, BS, GOST and CSN, others on request.

KOKM 072 xA 10 with secondary current 0,075 A are specially designed and applicable for self-powered relay.

KOKM 072 xB 10 is thanks to its width 105 mm intended to be used mainly for parameters which cannot be confirmed in KOKM 072 xA 10 with width 100 mm.

Technical parameters	Values
Highest voltage for equipment, U _m	0,72 kV
Rated power-frequency withstand voltage	3 kV
Rated lightning impulse withstand voltage	-
Rated frequency f _R	50 or 60 Hz
Rated primary current, I _{pr}	Up to 1250 A
Rated secondary current I _{sr}	1; 5; 0,075 A
Rated short-time thermal current, I _{th}	25 kA/3 s
Rated dynamic current, I _{dyn}	max. 2,5 x I _{th}
Ambient temperature	-35...+70°C

KOKM 072 xA 10 parameters for self-powered relays type REJ 603, WIC1 and WIB1

Type	KOKM 072 BA 10 CT1	KOKM 072 CA 10 CT2	KOKM 072 CA 10 CT3	KOKM 072 CA 10 CT4	KOKM 072 CA 10 CT5
Rated insulation level	0.72/3/- kV	0.72/3/- kV	0.72/3/- kV	0.72/3/- kV	0.72/3/- kV
Rated primary current I _{pn}	7.2 A	14.4 A	28.8 A	57.6 A	115.2 A
Rated secondary current I _{sn}	0.075 A	0.075 A	0.075 A	0.075 A	0.075 A
Test winding	0.288 A	0.288 A	0.288 A	0.288 A	0.288 A
Accuracy class with relay	5P80*	10P80*	5P80*	5P80*	5P80*
Rated burden	0.1 VA	0.1 VA	0.1 VA	0.1 VA	0.1 VA
Rated short-time thermal current I _{th}	20 kA/ 3s 25 kA/ 1s	25 kA/ 3s	25 kA/ 3s	25 kA/ 3s	25 kA/ 3s
Rated dynamic current I _{dyn}	50 kA 62.5 kA	62.5 kA	62.5 kA	62.5 kA	62.5 kA
Frequency	50/60 Hz	50/60 Hz	50/60 Hz	50/60 Hz	50/60 Hz
Insulation class	E	E	E	E	E
Protection	IP 20	IP 20	IP 20	IP 20	IP 20
Working temperature range	-35 ... +70°C	-35 ... +70°C	-35 ... +70°C	-35 ... +70°C	-35 ... +70°C

*ALF with relays REJ603 or WIC1/WIB1 combination only

Note: Another CT parameters (according to customer's requirement) are available after agreement with manufacturer.

KOKM 072 xA 10 parameters for protection devices (according to IEC 61869-2)

Type	Ratio (A)	Class *	Burden (VA)	Frequency (Hz)	I _{th} (kA) /sec
KOKM 072 CA 10	100/5	5P10	2	50/60	25 kA /3s
KOKM 072 CA 10	150/5	5P10	4	50/60	25 kA /3s
KOKM 072 CA 10	200/5	5P10	5	50/60	25 kA /3s
KOKM 072 CA 10	300/5	5P10	7	50/60	25 kA /3s
KOKM 072 CA 10	400/5	5P10	10	50/60	25 kA /3s
KOKM 072 CA 10	500/5	5P10	10	50/60	25 kA /3s
KOKM 072 CA 10	600/5	5P10	10	50/60	25 kA /3s
KOKM 072 BA 10	100/1	5P10	4	50/60	25 kA /3s
KOKM 072 CA 10	100/1	5P10	2.5	50/60	25 kA /3s
KOKM 072 CA 10	150/1	5P10	4	50/60	25 kA /3s
KOKM 072 CA 10	200/1	5P10	5	50/60	25 kA /3s
KOKM 072 CA 10	300/1	5P10	7	50/60	25 kA /3s
KOKM 072 CA 10	400/1	5P10	10	50/60	25 kA /3s
KOKM 072 CA 10	500/1	5P10	10	50/60	25 kA /3s
KOKM 072 CA 10	600/1	5P10	10	50/60	25 kA /3s
KOKM 072 CA 10	50-100/1*	10P10	2-4	50/60	25 kA /3s
KOKM 072 BA 10	100-200/1*	5P10	4-7	50/60	25 kA /3s
KOKM 072 CA 10	50-100-200/1*	10P10	1.5-3-6	50/60	25 kA /3s
KOKM 072 CA 10	200-400/1*	5P10	4-7	50/60	25 kA /3s
KOKM 072 CA 10	300-600/1*	5P10	4-7	50/60	25 kA /3s
KOKM 072 CA 10	400-600/1*	5P10	4-7	50/60	25 kA /3s

*Special secondary reconnectable CTs

All CTs with protection class are equipped with 3xS1 secondary terminals

KOKM 072 xA 10 parameters for metering devices (according to IEC 61869-2)

Type	Ratio (A)	Class *	Burden (VA)	Frequency (Hz)	I _{th} (kA) /sec
KOKM 072 BA 10	100/5	0.2 S	2.5	50/60	25 kA /3s
KOKM 072 CA 10	200/5	0.2 S	8	50/60	25 kA /3s
KOKM 072 CA 10	300/5	0.2 S	10	50/60	25 kA /3s
KOKM 072 CA 10	400/5	0.2 S	10	50/60	25 kA /3s
KOKM 072 CA 10	500/5	0.2 S	10	50/60	25 kA /3s
KOKM 072 CA 10	600/5	0.2 S	10	50/60	25 kA /3s
KOKM 072 BA 10	100/1	0.2 S	2.5	50/60	25 kA /3s
KOKM 072 CA 10	200/1	0.2 S	8	50/60	25 kA /3s
KOKM 072 CA 10	300/1	0.2 S	10	50/60	25 kA /3s
KOKM 072 CA 10	400/1	0.2 S	10	50/60	25 kA /3s
KOKM 072 CA 10	500/1	0.2 S	10	50/60	25 kA /3s
KOKM 072 CA 10	600/1	0.2 S	10	50/60	25 kA /3s
KOKM 072 CA 10	100/5	0.5 S	5	50/60	25 kA /3s
KOKM 072 CA 10	200/5	0.5 S	7,5	50/60	25 kA /3s
KOKM 072 CA 10	300/5	0.5 S	10	50/60	25 kA /3s
KOKM 072 CA 10	400/5	0.5 S	10	50/60	25 kA /3s
KOKM 072 CA 10	500/5	0.5 S	10	50/60	25 kA /3s
KOKM 072 CA 10	600/5	0.5 S	10	50/60	25 kA /3s
KOKM 072 CA 10	100/1	0.5 S	5	50/60	25 kA /3s
KOKM 072 CA 10	200/1	0.5 S	10	50/60	25 kA /3s
KOKM 072 CA 10	300/1	0.5 S	10	50/60	25 kA /3s
KOKM 072 CA 10	400/1	0.5 S	10	50/60	25 kA /3s
KOKM 072 CA 10	500/1	0.5 S	10	50/60	25 kA /3s
KOKM 072 CA 10	600/1	0.5S	10	50/60	25 kA /3s
KOKM 072 CA 10	100/1	0.5-1	4	50/60	25 kA /3s
KOKM 072 CA 10	200/1	0.5-1	4	50/60	25 kA /3s
KOKM 072 CA 10	300/1	0.5-1	4	50/60	25 kA /3s
KOKM 072 CA 10	400/1	0.5-1	4	50/60	25 kA /3s
KOKM 072 CA 10	600/1	0.5-1	4	50/60	25 kA /3s
KOKM 072 CA 10	100/1	0.5 1	3 5	50/60	25 kA /3s
KOKM 072 CA 10	200/1	0.5 1	3 5	50/60	25 kA /3s
KOKM 072 CA 10	300/1	0.5 1	3 5	50/60	25 kA /3s
KOKM 072 CA 10	400/1	0.5 1	3 5	50/60	25 kA /3s
KOKM 072 CA 10	600/1	0.5 1	3 5	50/60	25 kA /3s

* CTs with classes 0,2 S are also available with classes 0,2 or 0,5 or 1

* CTs with classes 0,5 S are also available with classes 0,5 or 1

All CTs with measuring class are equipped with 3xS1 secondary terminals

KOKM 072 DB 10 parameters for self-powered relays type REJ 603, WIC1 and WIB1

Type	KOKM 072 DB 10 CT2_60mm	KOKM 072 DB 10 CT3_60mm	KOKM 072 DB 10 CT4_60mm	KOKM 072 DB 10 CT5_60mm
Rated insulation level	0.72/3/- kV	0.72/3/- kV	0.72/3/- kV	0.72/3/- kV
Rated primary current I_{pn}	14.4 A	28.8 A	57.6 A	115.2 A
Rated secondary current I_{sn}	0.075 A	0.075 A	0.075 A	0.075 A
Test winding	0.288 A	0.288 A	0.288 A	0.288 A
Accuracy class with relay	10P80*	5P80*	5P80*	5P80*
Rated burden	0.1 VA	0.1 VA	0.1 VA	0.1 VA
Rated short-time thermal current I_{th}	25 kA/ 3s	25 kA/ 3s	25 kA/ 3s	25 kA/ 3s
Rated dynamic current I_{dyn}	62.5 kA	62.5 kA	62.5 kA	62.5 kA
Frequency	50/60 Hz	50/60 Hz	50/60 Hz	50/60 Hz
Insulation class	E	E	E	E
Protection	IP 20	IP 20	IP 20	IP 20
Working temperature range	-35 ... +70°C	-35 ... +70°C	-35 ... +70°C	-35 ... +70°C

*ALF with relays REJ603 or WIC1/WIB1 combination only

KOKM 072 CB 10 parameters for metering and protection devices (according to IEC 61869-2)

Ratio [A/A]	Maximum burden [VA]			
	0,2 s	0,5s	5P10	5P20
50/1	0,5	1,5	1,0	0,5
75/1	1,5	3,0	2,5	1,0
100/1	2,5	5,0	3,0	1,5
150/1	4,0	10,0	4,0	2,0
200/1	7,5	12,5	6,0	3,0
300/1	10,0	15,0	7,5	3,5
400/1	12,5	20,0	8,0	4,0
600/1	15,0	25,0	10,0	5,0
50/5	0,5	1,0	0,5	-
75/5	1,5	2,5	1,5	0,5
100/5	2,5	5,0	2,5	1
150/5	4,0	10,0	4,0	2,0
200/5	7,5	12,5	6,0	3,0
300/5	10,0	15,0	7,5	3,5
400/5	12,5	20,0	8,0	4,0
600/5	15,0	25,0	10,0	5,0

KOKM 072 DB 10 parameters for metering and protection devices (according to IEC 61869-2)

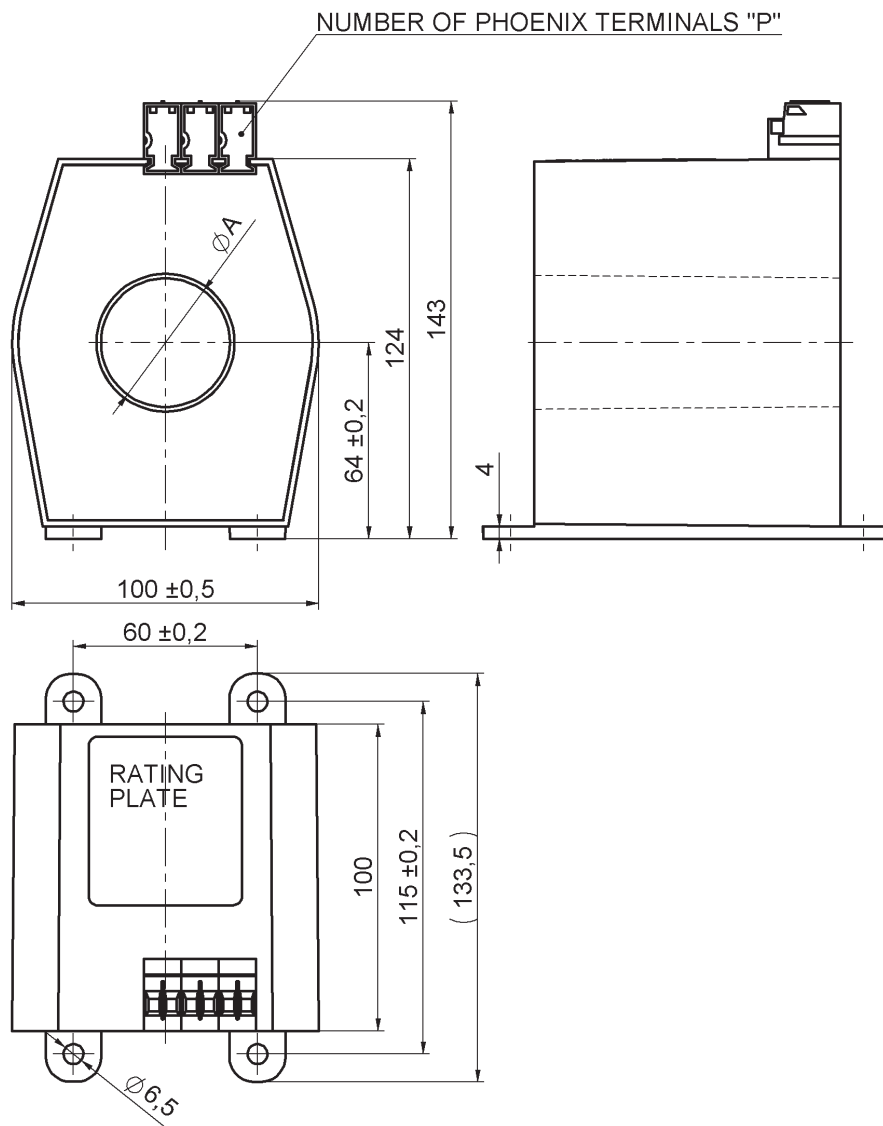
Ratio [A/A]	Maximum burden [VA]			
	0,2 s	0,5s	5P10	5P20
75/1	0,5	1,5	1,5	0,5
100/1	1,0	2,5	2,5	0,8
150/1	2,0	5,0	2,5	1,0
200/1	3,0	10,0	3,0	2,0
300/1	5,0	12,5	4,0	2,0
400/1	7,5	15,0	5,0	2,0
600/1	10,0	20,0	7,5	2,0
75/5	0,5	1,5	1,5	0,5
100/5	1,0	2,5	2,0	0,8
150/5	2,0	5,0	2,5	1,0
200/5	3,0	10,0	3,0	1,5
300/5	5,0	12,5	4,0	2,0
400/5	7,5	15,0	5,0	2,0
600/5	10,0	20,0	7,5	2,0

Parameters mentioned in both tables above are valid for I_{th} 25 kA/3s and frequency 50 Hz
All CTs are equipped with 3xS1 secondary terminals

Dimensional Drawings

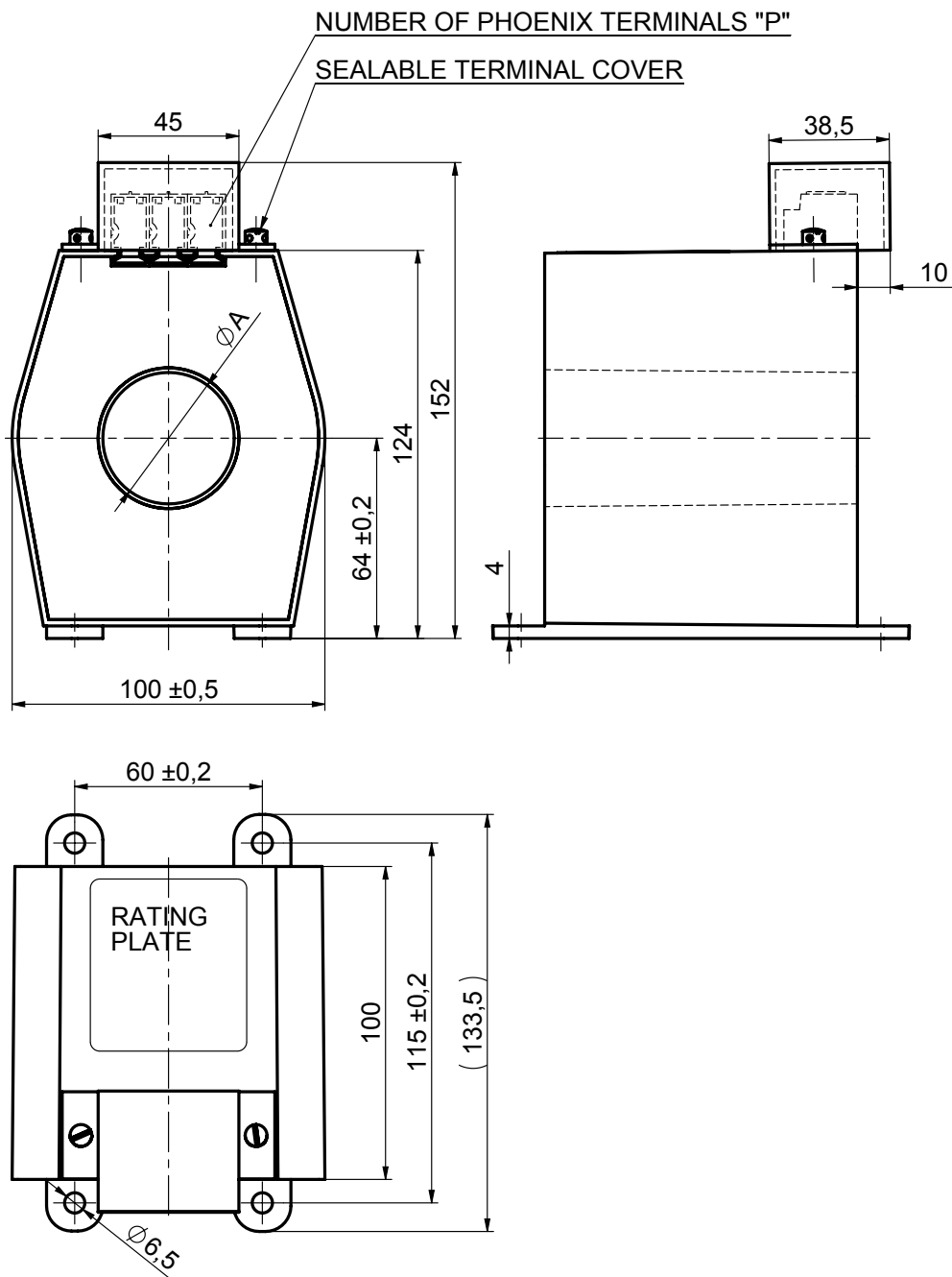
KOKM 072 BA 10, KOKM 072 CA 10

Drawing	Type	A	P	Weight (kg)
1VL4600393R0101	KOKM 072 CA 10	50	2	1.9
1VL4600393R0102	KOKM 072 BA 10	42	3	3.3
1VL4600393R0103	KOKM 072 CA 10	50	3	2.8



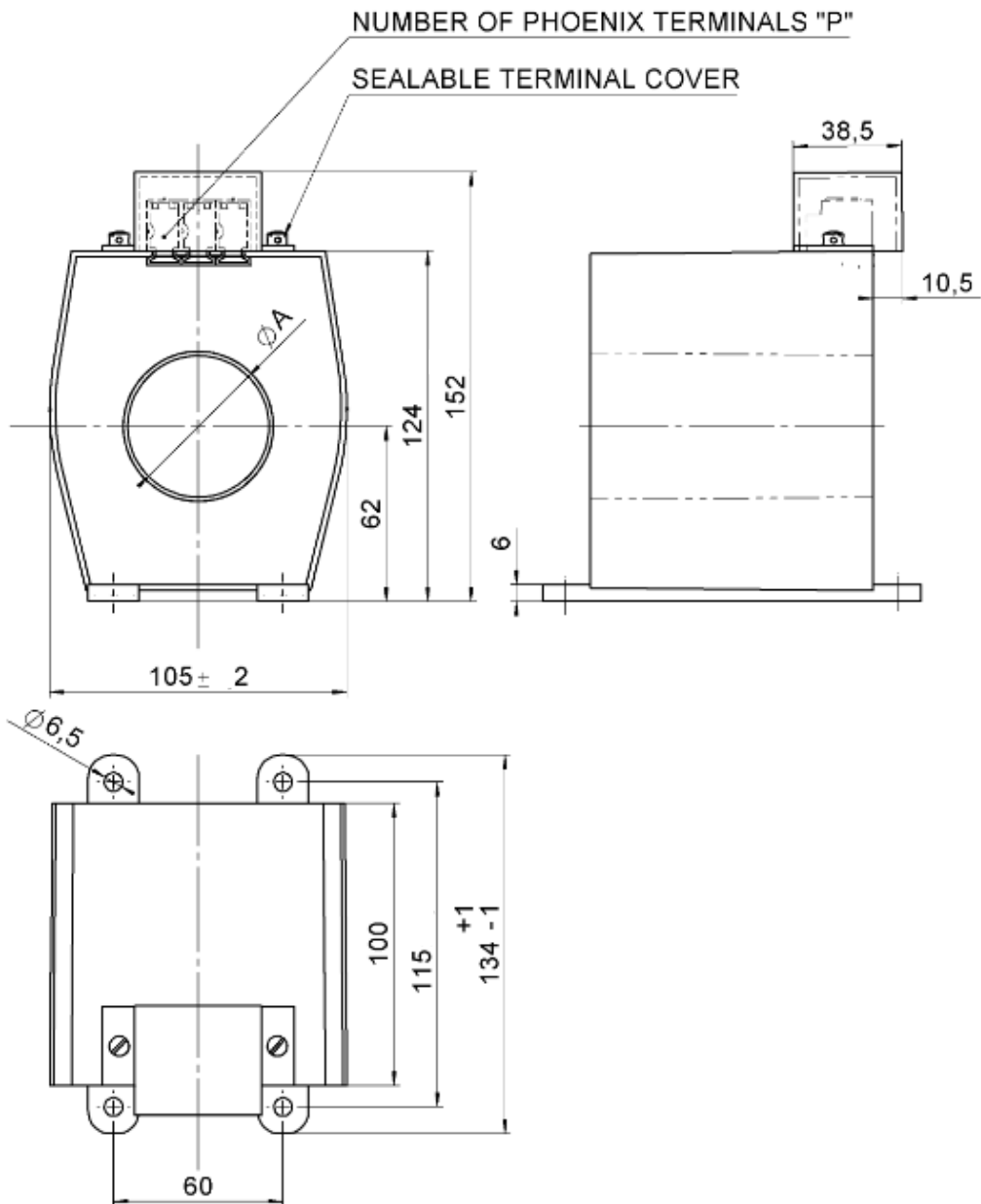
Variant with sealable secondary terminal

Drawing	Type	A	P	Weight (kg)
1VL4600393R0201	KOKM 072 CA 10	50	2	1.9
1VL4600393R0202	KOKM 072 BA 10	42	3	3.3
1VL4600393R0203	KOKM 072 CA 10	50	3	2



KOKM 072 CB 10, KOKM 072 DB 10

Drawing	Type	A	P	Weight (kg)
1VL4900465A001	KOKM 072 CB 10	50	3	3,5
1VL4900465A002	KOKM 072 CB 10	50	2	3,5
1VL4900465A003	KOKM 072 DB 10	60	3	3
1VL4900465A004	KOKM 072 DB 10	60	2	3



CONTACT US

ABB s.r.o.
ELDS Brno
Videnska 117, 619 00 Brno,
Czech Republic
Tel.: +420 547 152 021
+420 547 152 854
Fax: +420 547 152 626
E-mail: kontakt@cz.abb.com

NOTE

We reserve the right to make technical changes or modify the contents of this document without prior notice. With regard to purchase orders, the agreed particulars shall prevail. ABB does not accept any responsibility whatsoever for potential errors or possible lack of information in this document.

We reserve all rights in this document and in the subject matter and illustrations contained therein. Any reproduction, disclosure to third parties or utilization of its contents - in whole or in parts - is forbidden without prior written consent of ABB.

Copyright© 2023 ABB
All rights reserved