

On-load tap-changer type VUBBR, UBBR, 7 tap positions, reverser.

Max effective No. of turns in pos 1.

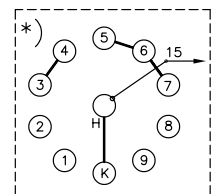
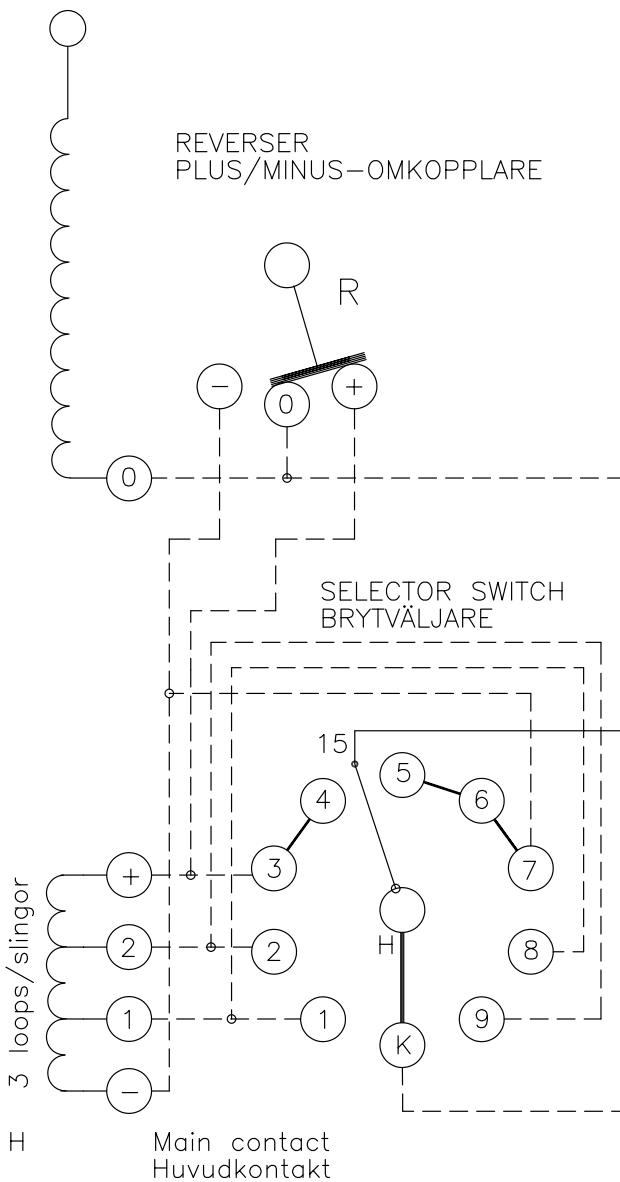
The tap-changer is delivered set in pos 4, the preceding pos. was 3.

Lindningskopplare typ VUBBR, UBBR, 7 lägen, plus/minus-koppling.

Max antal effektiva varv i läge 1.

Lindningskopplaren levereras inställd i läge 4, föregående läge var 3.

Pos Läge	R connects förbinder	H connects förbinder
1		7 - 15
2	0+ 0+	8 - 15
3		9 - 15
4		K - 15
5		1 - 15
6	0- 0-	2 - 15
7		3 - 15



1) OUTPUT TERMINAL
STRÖMAVTAGNING

*) FOR VUBB TYPE OF OLTC
I VUBB UTFÖRANDE

1)

Internal connections between the terminals 15 of the three phases are included in the star-point type. Connection between 3, 4 and 5, 6, 7 are included.

Dashed lines show in delivery not included leads belonging to cleats and leads.

Inre förbindningar mellan uttag 15 i de tre faserna ingår i nollpunktsutförande. Förbindning mellan 3, 4 och 5, 6, 7 ingår.

Streckade linjer visar i leveransen ej ingående ledare tillhörande anslutningsdonet.

We reserve all rights in this document and in the information contained therein. Reproduction, use or disclosure to third parties without express authority is strictly forbidden.
© ABB '19

Sheet	Cont	Year	Week
Dept	Year	Week	Cont
Rev Ind	Revision	Appd	Year Week
Rev Ind	Accepted by qual control R.Yngvesson	Accepted for prod by	Description (English) CONNECTION DIAGRAM
Design checked by	B-O.Stenestam	Drawn by	L.Bergman
Drawing checked by	M.Hedlund	Issued by Dept	Year Week COM/TKO 97 32
Drawn by	Form No.	Design checked by	
ABB		Asea Brown Boveri	

5492 0388-1

DATA ORIGINAL	
File name	0388-1
Lang	Sheet 1
Rev Ind	Cont -