
 TECHNICAL DATA SHEET

ABB cable glands – BEM series

Brass EMC cable glands, shielded and screened cables



Nickel plated brass EMC cable glands with internal grounding mechanism to provide earth continuity for shielded and screened cables, where required.

Certifications / Standards:

(Refer to tables for certifications details)



Features & Benefits:

- Low profile compact cable glands
- Wide cable clamping range
- Good corrosion resistance
- Extended radial contact with the shielding for improved EMI protection.

Applications:

- General Purpose
- Panel building
- Light fixture and housings
- Machine building
- Suitable for cable types:
 - Shielded/screened non-armoured
 - Shielded/screened portable
 - Shielded/screened tray
 - COAX and Signal

Material:

- Nickel plated brass construction
- Chloroprene seals
- Tinned Copper EMC Contacts

Environmental ratings:
Working Temperature:

- Normal use: -20°C to +100°C (-4°F to 212°F)
- Short term: -30 to +150°C (-22 to +302°F)

Ingress protection:

To ensure ingress protection, use suitable gasket and lock nut when required.

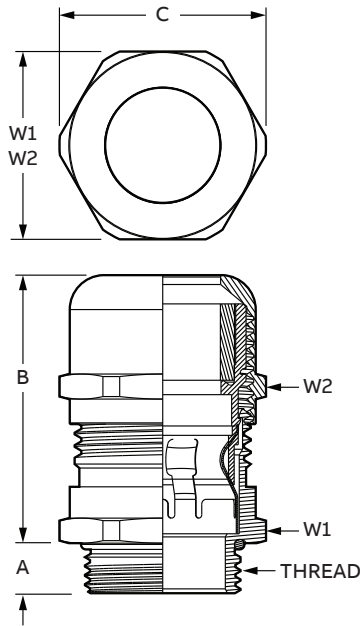
- IP66
- IP68 (5 bar 30 mins)
- NEMA 4

Chemical resistance guide:

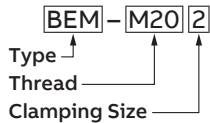
- See publication TDS000081

Conforms to:

- UL514B / CSA C22.2 No 18.3 (see table for details)
- EN 62444
- RoHS (Restriction of Hazardous Substances Directive) 2011/65/EU Incorporating 2015/863 amendment to Annex II
- WEEE (Waste Electrical & Electronic Equipment Directive) 2002/96/EC
- LVD (Low Voltage Directive) 2014/35/EU



Part number information:



Brass EMC Cable Gland 5-10mm
M20X1.5 (8mmTL)

Product selection

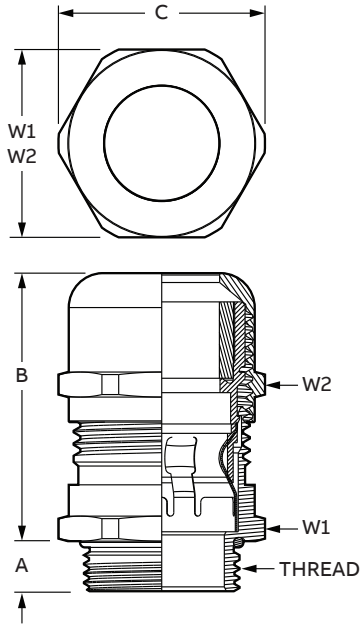
Part no:	Thread (metric)	Cable range		Shield range		Nominal dimensions				
		Min	Max	Min	Max	A	B	C	W1	W2
BEM-M121 (cURus)	M12x1.5	3.0 (0.118)	6.5 (0.256)	2.0 (0.079)	5.0 (0.197)	6.0 (0.236)	28.0 (1.102)	15.5 (0.61)	14.0 (0.551)	14.0 (0.551)
BEM-M161 (cURus)	M16x1.5	5.0 (0.197)	10.0 (0.394)	3.5 (0.138)	8.0 (0.315)	6.0 (0.236)	33.0 (1.299)	22.0 (0.866)	20.0 (0.787)	20.0 (0.787)
BEM-M201 (cULus)	M20x1.5	6.0 (0.236)	12.0 (0.472)	4.5 (0.177)	10.0 (0.394)	6.0 (0.236)	31.5 (1.240)	24.5 (0.965)	22.0 (0.866)	22.0 (0.866)
BEM-M202 (cULus)	M20x1.5	7.5 (0.295)	14.0 (0.551)	5.5 (0.217)	11.5 (0.453)	8.0 (0.315)	39.5 (1.555)	26.8 (1.055)	24.0 (0.945)	24.0 (0.945)
BEM-M251 (cULus)	M25x1.5	10.0 (0.394)	18.0 (0.709)	7.0 (0.276)	14.0 (0.551)	8.0 (0.315)	43.0 (1.693)	33.0 (1.299)	30.0 (1.181)	30.0 (1.181)
BEM-M321 (cULus)	M32x1.5	16.0 (0.630)	25.0 (0.984)	12.0 (0.472)	20.0 (0.787)	9.0 (0.354)	53.0 (2.087)	43.5 (1.713)	40.0 (1.575)	40.0 (1.575)
BEM-M401 (cULus)	M40x1.5	22.0 (0.866)	32.0 (1.260)	18.0 (0.709)	27.0 (1.063)	9.0 (0.354)	60.5 (2.382)	55.5 (2.185)	50.0 (1.969)	50.0 (1.969)
BEM-M501 (cULus)	M50x1.5	30.0 (1.181)	38.0 (1.496)	26.0 (1.024)	34.0 (1.339)	9.0 (0.354)	72.0 (2.834)	64.0 (2.52)	58.0 (2.283)	58.0 (2.283)
BEM-M631 (cULus)	M63x1.5	34.0 (1.339)	44.0 (1.732)	30.0 (1.181)	40.0 (1.575)	14.0 (0.551)	58.0 (2.283)	75.0 (2.953)	68.0 (2.677)	64.0 (2.52)
BEM-M632	M63x1.5	37.0 (1.457)	53.0 (2.087)	33.0 (1.299)	49.0 (1.929)	10.0 (0.394)	73.0 (2.874)	83.0 (3.268)	75.0 (2.953)	75.0 (2.953)

Product selection

Part no:	Thread (NPT)	Cable range		Shield range		Nominal dimensions				
		Min	Max	Min	Max	A	B	C	W1	W2
BEM-0251	1/4"	3.0 (0.118)	6.5 (0.256)	2.0 (0.079)	5.0 (0.197)	11.5 (0.453)	28.0 (1.102)	16.5 (0.65)	15.0 (0.591)	14.0 (0.551)
BEM-0381	3/8"	5.0 (0.197)	10.0 (0.394)	3.5 (0.138)	8.0 (0.315)	11.5 (0.453)	33.0 (1.299)	22.0 (0.866)	20.0 (0.787)	20.0 (0.787)
BEM-0501	1/2"	6.0 (0.236)	12.0 (0.472)	4.5 (0.177)	10.0 (0.394)	15.0 (0.591)	37.5 (1.476)	24.5 (0.965)	22.0 (0.866)	22.0 (0.866)
BEM-0502	1/2"	7.5 (0.295)	14.0 (0.551)	5.5 (0.217)	11.5 (0.453)	15.0 (0.591)	39.5 (1.555)	26.8 (1.055)	24.0 (0.945)	24.0 (0.945)
BEM-0751	3/4"	10.0 (0.394)	18.0 (0.709)	7.0 (0.276)	14.0 (0.551)	15.0 (0.591)	41.5 (1.634)	33.0 (1.299)	30.0 (1.181)	30.0 (1.181)
BEM-1001	1"	16.0 (0.63)	25.0 (0.984)	12.0 (0.472)	20.0 (0.787)	20.0 (0.787)	52.0 (2.047)	43.5 (1.713)	40.0 (1.575)	40.0 (1.575)
BEM-1251	1-1/4"	22.0 (0.866)	32.0 (1.26)	18.0 (0.709)	27.0 (1.063)	20.0 (0.787)	61.0 (2.402)	55.5 (2.185)	50.0 (1.969)	50.0 (1.969)
BEM-1501	1-1/2"	30.0 (1.181)	38.0 (1.496)	26.0 (1.024)	34.0 (1.339)	22.0 (0.866)	71.0 (2.795)	64.0 (2.52)	58.0 (2.283)	58.0 (2.283)
BEM-2001	2"	34.0 (1.339)	44.0 (1.732)	30.0 (1.181)	40.0 (1.575)	22.0 (0.866)	71.0 (2.815)	75.0 (2.795)	68.0 (2.677)	64.0 (2.52)

Bold numbers are metric, parenthesis numbers are inches.

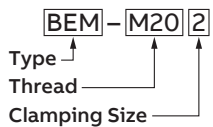
Note: Product must be installed in accordance with applicable national and local electrical codes.



Product selection										
Part no:	Thread (PG)	Cable range		Shield range		Nominal dimensions				
		Min	Max	Min	Max	A	B	C	W1	W2
BEM-PG71	PG7	3.0	6.5	2.0	5.0	6.0	28.0	16.5	15.0	14.0
		(0.118)	(0.256)	(0.079)	(0.197)	(0.236)	(1.102)	(0.65)	(0.591)	(0.551)
BEM-PG111	PG11	5.0	10.0	3.5	8.0	6.0	33.0	23.0	21.0	20.0
		(0.197)	(0.394)	(0.138)	(0.315)	(0.236)	(1.299)	(0.906)	(0.827)	(0.787)
BEM-PG131	PG13,5	6.0	12.0	4.5	10.0	6.5	31.5	24.5	22.0	22.0
		(0.236)	(0.472)	(0.177)	(0.394)	(0.256)	(1.24)	(0.965)	(0.866)	(0.866)
BEM-PG161	PG16	7.5	14.0	5.5	11.5	6.5	39.5	27.5	25.0	24.0
		(0.295)	(0.551)	(0.217)	(0.453)	(0.256)	(1.555)	(1.083)	(0.984)	(0.945)
BEM-PG211	PG21	10.0	18.0	7.0	14.0	7.0	42.5	35.5	32.0	30.0
		(0.394)	(0.709)	(0.276)	(0.551)	(0.276)	(1.673)	(1.398)	(1.260)	(1.181)
BEM-PG291	PG29	16.0	25.0	12.0	20.0	9.0	53.0	43.5	40.0	40.0
		(0.63)	(0.984)	(0.472)	(0.787)	(0.354)	(2.087)	(1.713)	(1.575)	(1.575)
BEM-PG361	PG36	22.0	32.0	18.0	27.0	9.0	60.0	55.5	50.0	50.0
		(0.866)	(1.26)	(0.709)	(1.063)	(0.354)	(2.362)	(2.185)	(1.969)	(1.969)
BEM-PG421	PG42	30.0	38.0	26.0	34.0	12.0	72.5	66.5	60.0	58.0
		(1.181)	(1.496)	(1.024)	(1.339)	(0.472)	(2.854)	(2.618)	(2.362)	(2.283)
BEM-PG481	PG48	34.0	44.0	30.0	40.0	14.0	58.5	75.0	68.0	64.0
		(1.339)	(1.732)	(1.181)	(1.575)	(0.551)	(2.303)	(2.953)	(2.677)	(2.52)

Bold numbers are metric, parenthesis numbers are inches.
 Note: Product must be installed in accordance with applicable national and local electrical codes.

Part number information:



Brass EMC Cable Gland 5-10mm
 M20X1.5 (8mmTL)

ABB Inc.
 Electrification products
 Memphis, Tennessee
 USA

We reserve the right to make technical changes or modify the contents of this document without prior notice. With regard to purchase orders, the agreed particulars shall prevail. ABB Inc. does not accept any responsibility whatsoever for potential errors or possible lack of information in this document.

We reserve all rights in this document and in the subject matter and illustrations contained therein. Any reproduction, disclosure to third parties or utilization of its contents – in whole or in parts – is forbidden without prior written consent of ABB Inc. Copyright© 2017 ABB Inc. All rights reserved.

