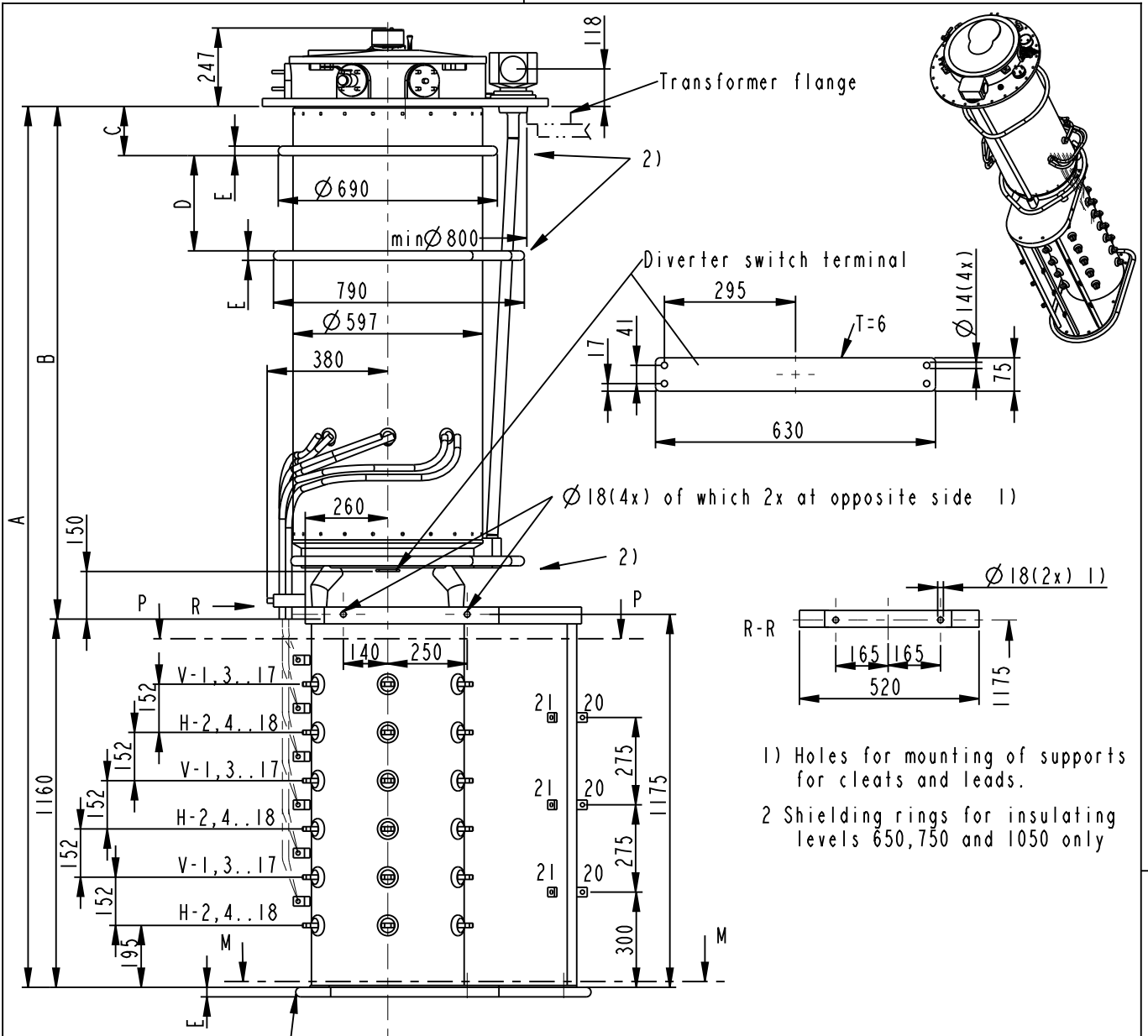
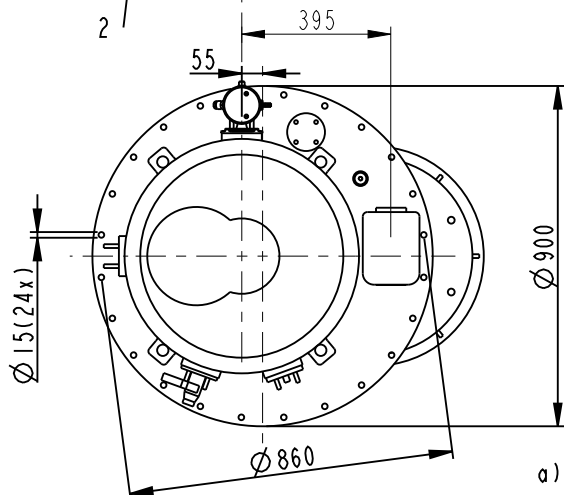


We reserve all rights in this document and in the information contained therein. Reproduction, use or disclosure to third parties without express authority is strictly forbidden.  
©ABB



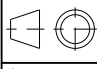
- 1) Holes for mounting of supports for cleats and leads.
- 2) Shielding rings for insulating levels 650, 750 and 1050 only



INSULATION LEVEL kV	380	650, 750	1050
A	2575 a)	2775 a)	2975 a)
B	1415 a)	1615 a)	1815 a)
C	-	155 a)	158 a)
D	-	300	494
E	-	30	36
H	-	930	936
J	-	290	293
K	-	580	586

a) For mounting on active part use A+85, B+85 and C+85 (See also Drawing 54920086-1)

Inspection engineering review  
 Design engineering review  
 Production engineering review

Based on	Reg. No.	Title	 Language en Page 1(3)
Prepared	Responsible department	UCLR and UCLD	
B Hultgren 96-05-28	COM/TK	UCL.N XXXX/900-925/111	
Approved	Take over department	11, 15, 16-23, 25-27, 29-31, 33-35 pos	
M Eriksson	Database		
Revision	Database	Document No.	
Rev. H 11-04-20	DIMENSION_DWGS	54920085-12	

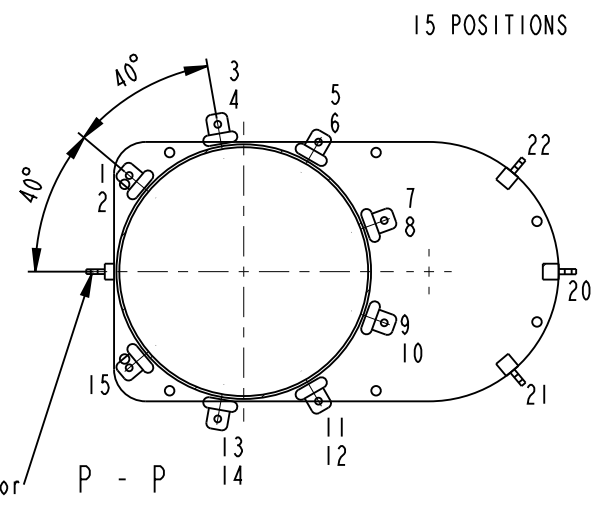
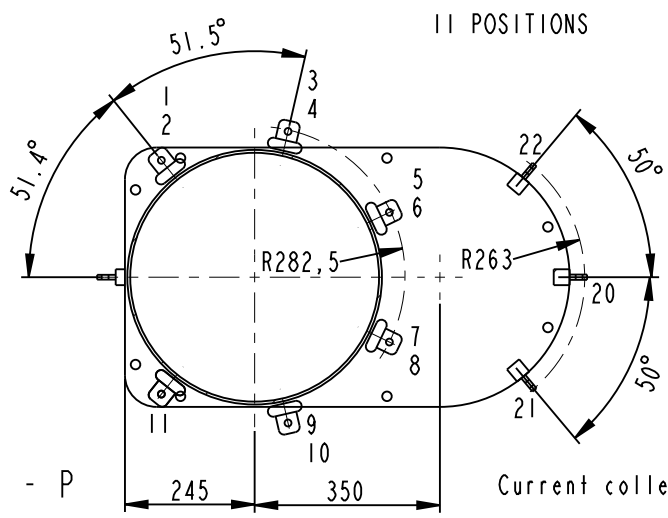


We reserve all rights in this document and in the information contained therein. Reproduction, use or disclosure to third parties without express authority is strictly forbidden. ©ABB

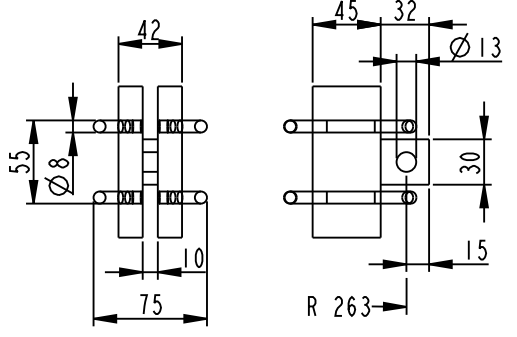
Production engineering review

Inspection engineering review

Design engineering review

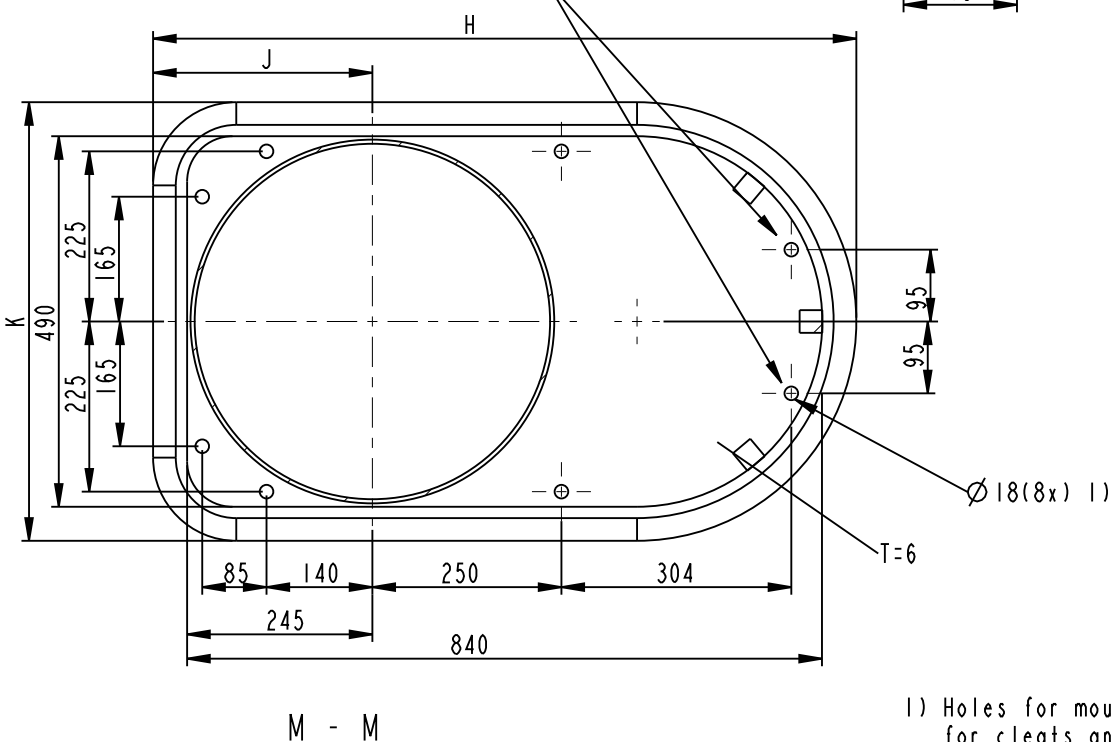


Tap selector contact 20,21,22 with shields

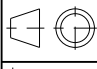



Values for dim. H, J and K in table on page 1

These two holes also in top plate



1) Holes for mounting of supports for cleats and leads

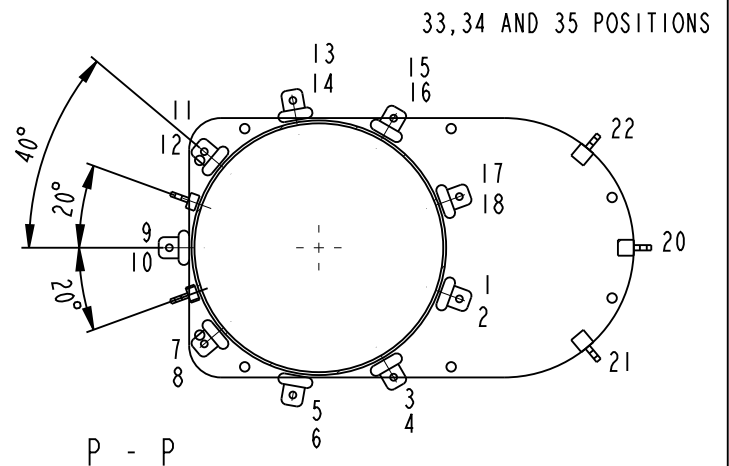
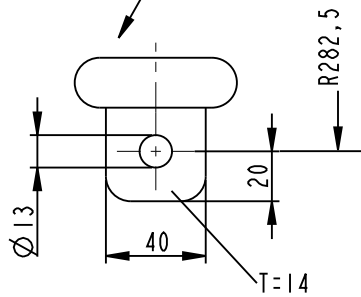
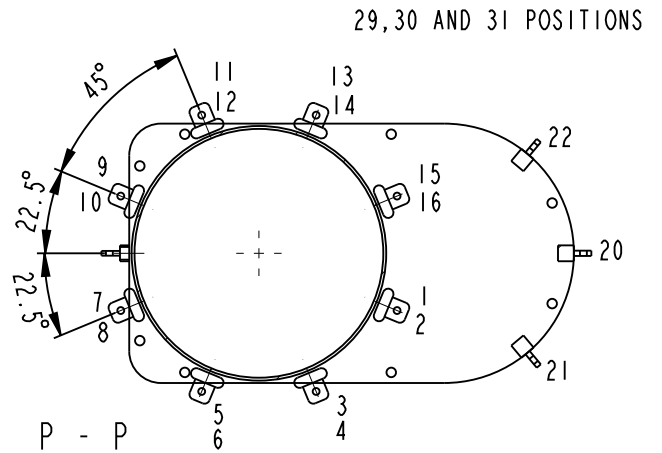
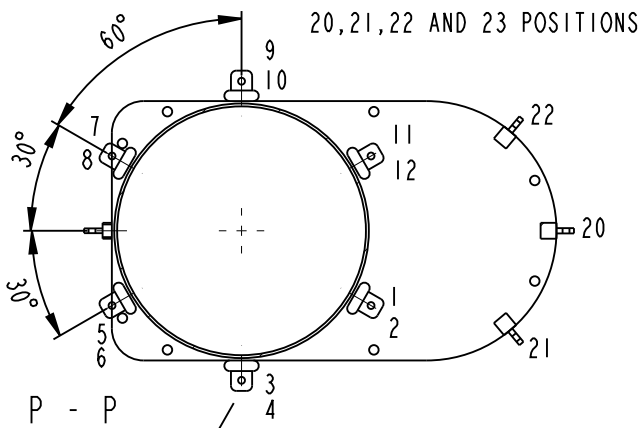
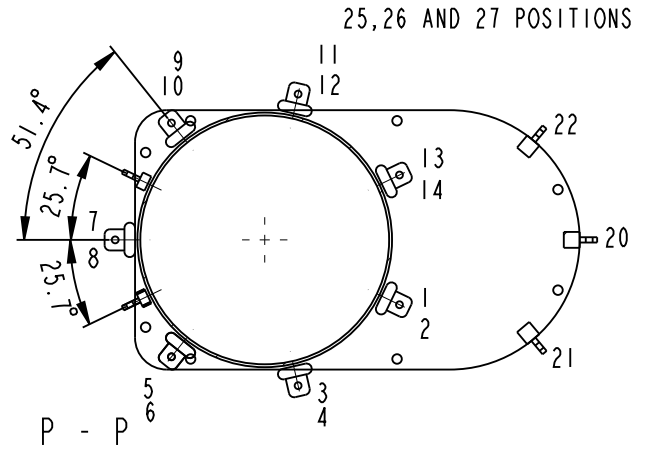
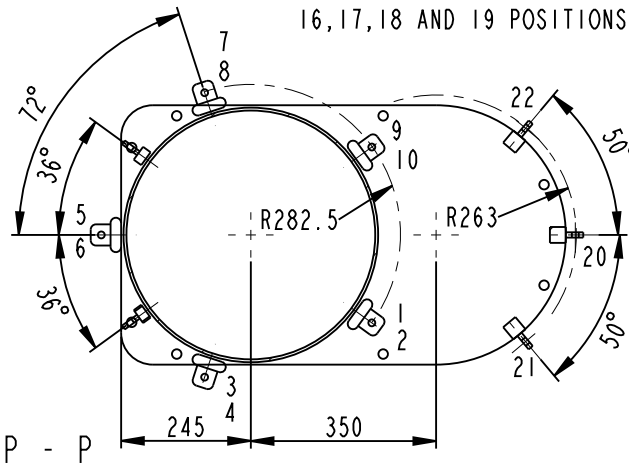
Based on	Reg. No.	Title	
Prepared B Hultgren 96-05-28	Responsible department COM/TK	TAP-CHANGER UCLR and UCLD UCL.N XXXX/900-925/111	 Language <b>en</b>
Approved M Eriksson	Take over department	11, 15, 16-23, 25-27, 29-31, 33-35 pos	
Revision Rev. H 11-04-20	Database DIMENSION_DWGS		Page 2(3)
		Document No.	54920085-12

We reserve all rights in this document and in the information contained therein. Reproduction, use or disclosure to third parties without express authority is strictly forbidden.  
©ABB

Production engineering review

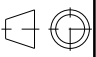

Design engineering review

Inspection engineering review



**ADDITIONAL DRAWINGS:**

Connection Diagrams: See Technical Guide UC  
 Mounting on active part: 54920086-1  
 Accessories: 54920086-2  
 Motor Drive BUL: 54830001-1  
 Motor Drive BUE: 54830001-2 or -3  
 External Drive Shaft: 54920083-4  
 Pressure Relay: 54920083-2  
 Bevel Gear: 54920083-1

Based on	Reg. No.	Title TAP-CHANGER UCLR and UCLD UCL.N XXXX/900-925/111 11, 15, 16-23, 25-27, 29-31, 33-35 pos	
Prepared B Hultgren 96-05-28	Responsible department COM/TK		
Approved M Eriksson	Take over department	Page 3(3)	
Revision Rev.H 11-04-20	Database DIMENSION_DWGS		
		Document No. 54920085-12	