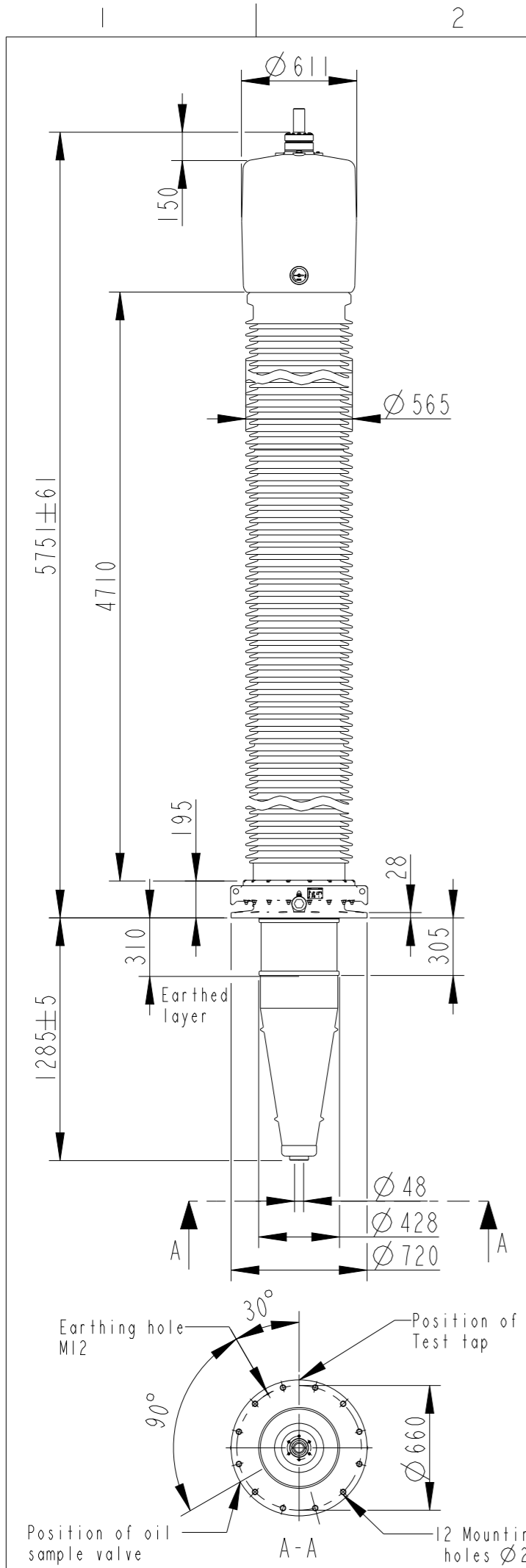


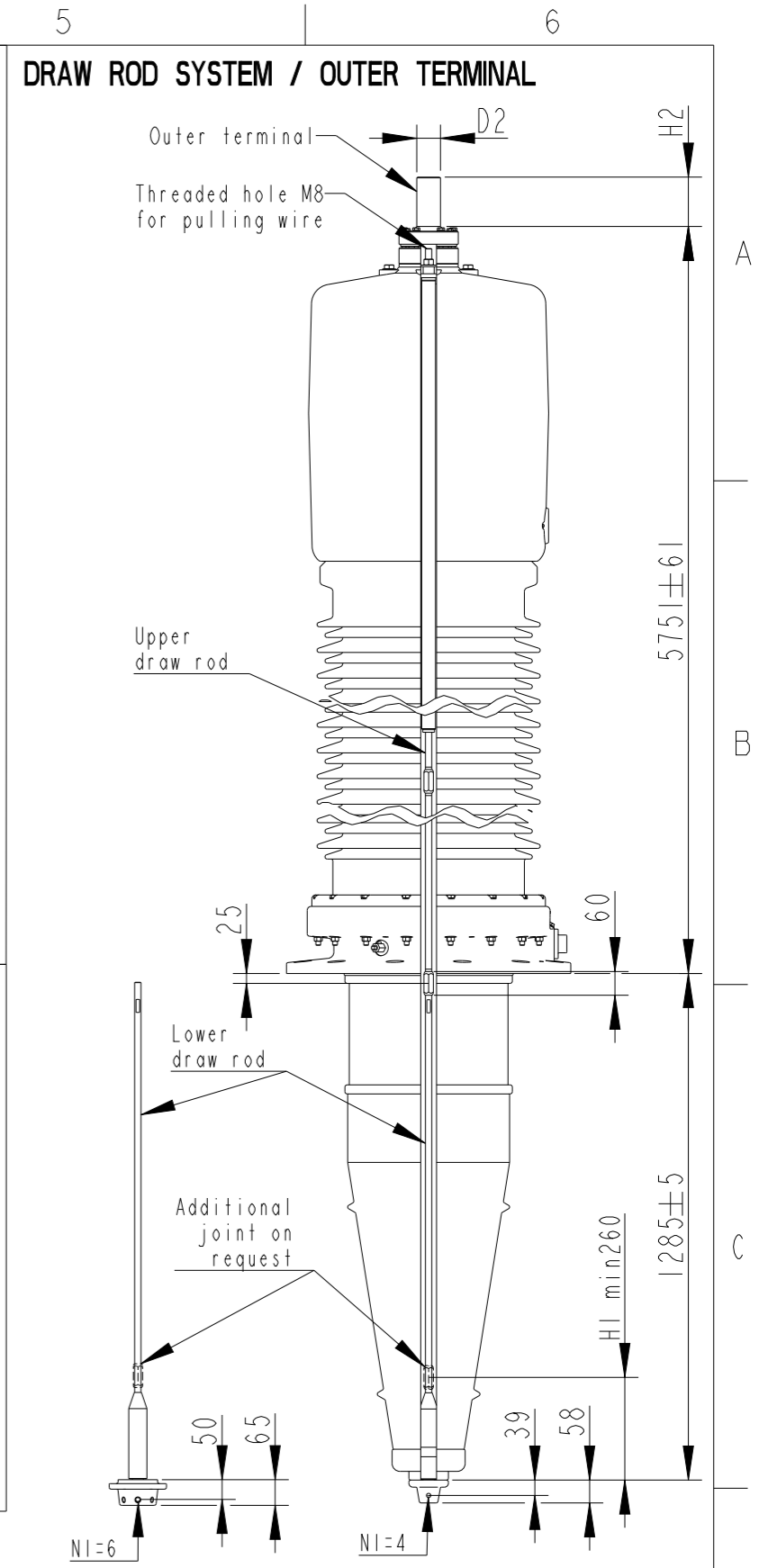
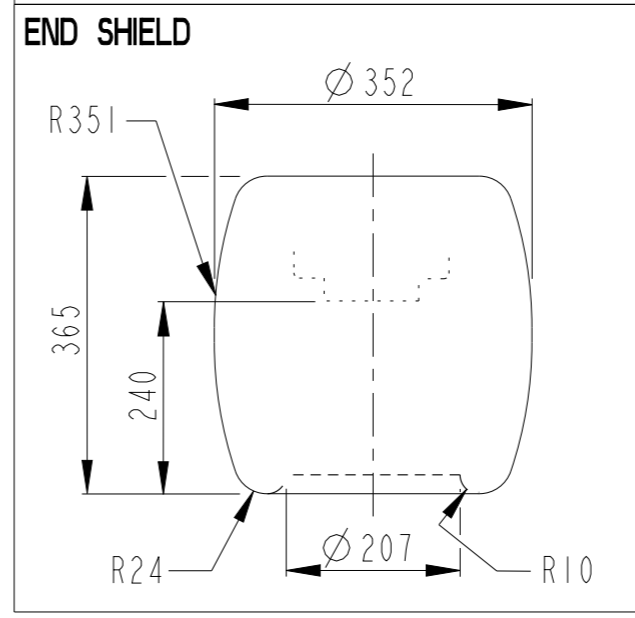
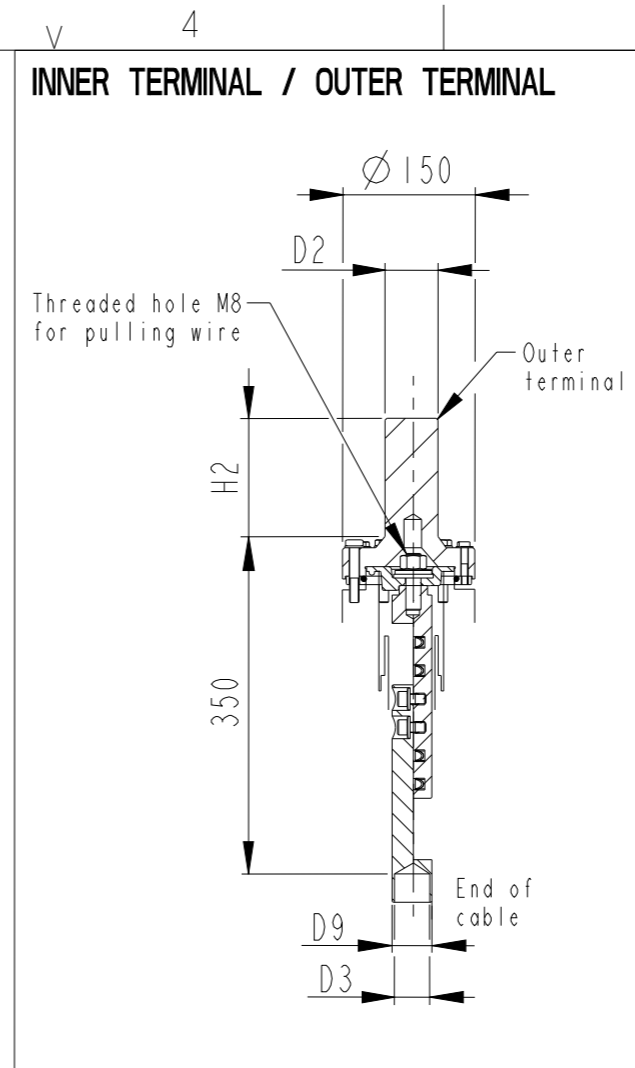
This document is issued by means of a computerized system. The digitally stored original is electronically approved. The approved document has a date entered in the "Approved"-field. A manual signature is not required.

The information contained in this document has to be kept strictly confidential. Any unauthorized use, reproduction, distribution or disclosure to third parties are strictly forbidden. ABB reserves all rights regarding Intellectual Property Rights. © Copyright 2013 ABB. All rights reserved.



| Bushing Data: | |
|--------------------------------|----------|
| Rated Voltage | 550 kV |
| Phase to-earth Voltage | 318 kV |
| Dry Lightning Impulse 1,2/50µs | 1800 kV |
| Wet Switching Impulse | 1360 kV |
| Wet Power frequency AC | N/A kV |
| Routine test Imin dry 50Hz | 870 kV |
| Rated Current | 2500 A |
| Creepage Distance | 18020 mm |
| Mass | 1995 kg |

| Ordering Data: | |
|----------------------------------|---|
| BUSHING IZSC902550-CAA | COLOUR AIR INSULATOR BROWN |
| OUTER TERMINAL | Max. Rated H2 D2 Current (A)(mm) (mm) |
| LF170 073-A | Al 2500 125 60 |
| LF170 073-B | Cu 4000 125 60 |
| LF170 073-G | Cu/Ag 4000 125 60 |
| LF170 073-L | Cu/Sn 4000 125 60 |
| LF170 073-BA | Cu/Ag 3000 125 2"-12UN |
| LF170 073-AA | Cu 5000 125 96 |
| END-SHIELD | EPOXY INSULATED LF170 046-V INSULATED WITH 3 mm PRESSBOARD |
| DRAW ROD SYSTEM | LOWER DRAW ROD WITH NI=4 OR NI=6 LF170 057 UPPER DRAW ROD |
| INNER TERMINAL | D3 D9 Cond.area Current (A) (mm) (mm)(mm2) IEC IEEE |
| LF170 056-E | 0 *) 45 - - - |
| LF170 056-D | 40 45 600 1600 1360 |
| *) WITH PILOT HOLE D=5 | |



NI=Number of holes M12, equipped with thread insert with screw lock, depth 20, for cable lugs.

| ABB | | Ludvika, Sweden | |
|-----|--------|-----------------|------------|
| No. | Um/Uy | kV Ir | A 50/60 Hz |
| BL | kV SIL | kV AC | kV |
| M | kg L | mm | ° |
| C1 | pF | Tan δ | x |
| C2 | pF | Tan δ | x |

| Prepared | Responsible department | Title | Language |
|----------------|-------------------------|------------------------|------------|
| Kalaivanan R | PGCO/BK | GOE 1800-1360-2500-0,3 | |
| Modified by | Take over department | Order | Sheet no. |
| Kalaivanan R | | | |
| Approved by | Used in product | Document no. | No. Shits. |
| Natalia Gutman | | | |
| Revision | | | |
| H | Drawing display updated | | |

