

Connector replacement guide

Fan cable for ACS880-104 R8i with +C188, ACS880-304 D8T with +C188, or BLCL-2..., BL-2... and BLHF with +C188

The document is applicable to the fans of these converter and filter modules:

- ACS880-104 frame size R8i with DOL fan +C188
- ACS880-304 +A018 frame size D8T with DOL fan +C188
- BLCL-2..., BL-2... and BLHF with DOL fan +C188.

Option +V112 indicates that the converter or filter module is equipped with black auxiliary power supply connector and fan kit connectors (= new connector design).

Before you start replacing the fan to the fan kit or assembly, make sure that the connector on the frame of the fan assembly (X58) is compatible with the counterpart at the end of the fan cable. Black connector is compatible only with the black counterpart, and gray connector only with the gray counterpart.

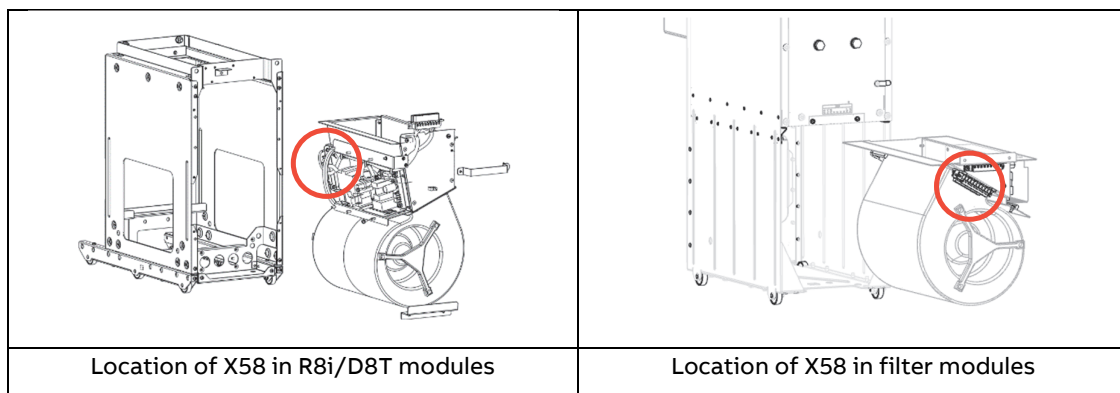
If the connectors are not compatible, replace the connector at the end of the fan cable. Use the connector from the old fan, or order suitable connector from ABB.

Make sure that the wire connections to the connector remain unchanged. Do not mix the order. Terminal numbers are also marked in the wires. Wire colors are matched for male-female connector pairs.

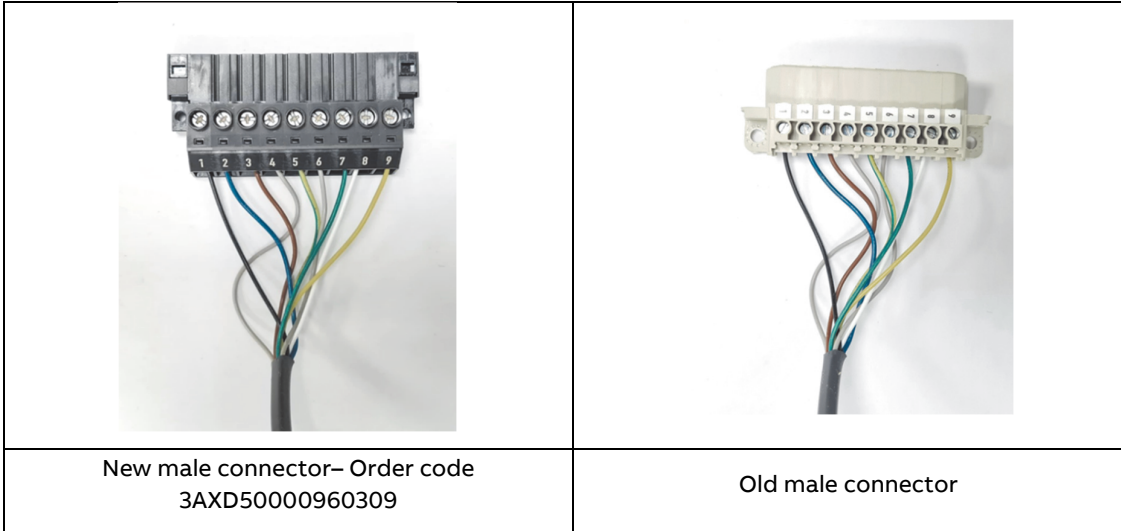
For all connectors, use a 0.6 × 3.5 mm slot-head screwdriver, and max. 0.6 N·m tightening torque.

New connectors can be ordered from ABB Service with these order codes.

Connector type	Description	ABB order code (New type)	ABB order code (Old type)
9-pin female	Module side	3AXD50000960248	3AUA0000059813
9-pin male connector	Fan side	3AXD50000960309	3AUA0000059812



3AXD50001059903A



Connector identifier	Terminal	Wire color	Wire thickness AWG / (mm ²)
X58	1	BK	18 / (0.8)
	2	BU	18 / (0.8)
	3	BN	18 / (0.8)
	4	GY	18 / (0.8)
	5	GNYE	18 / (0.5)
	6	GY	18 / (0.8)
	7	GN	18 / (0.8)
	8	WH	18 / (0.8)
	9	YE	18 / (0.8)