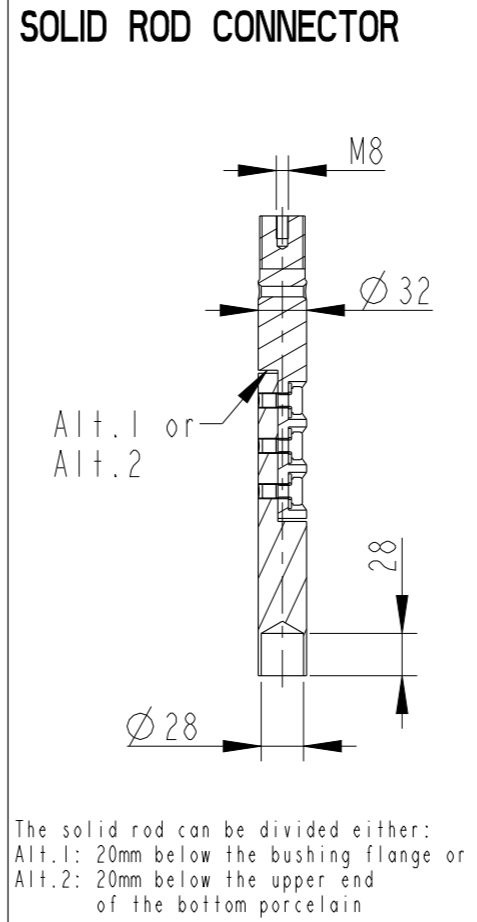
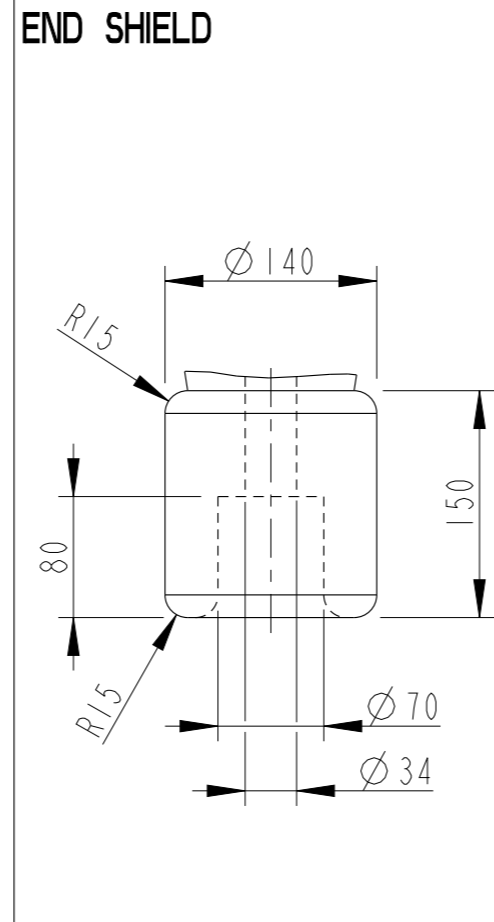
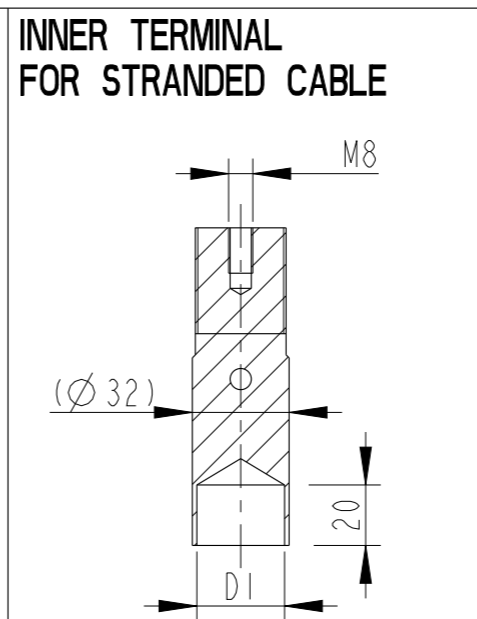
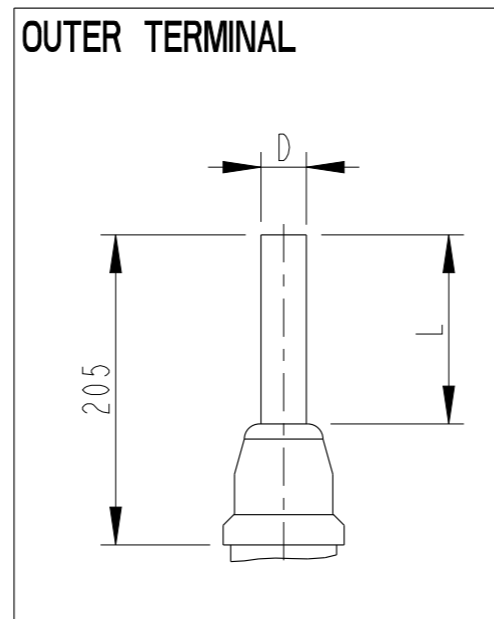
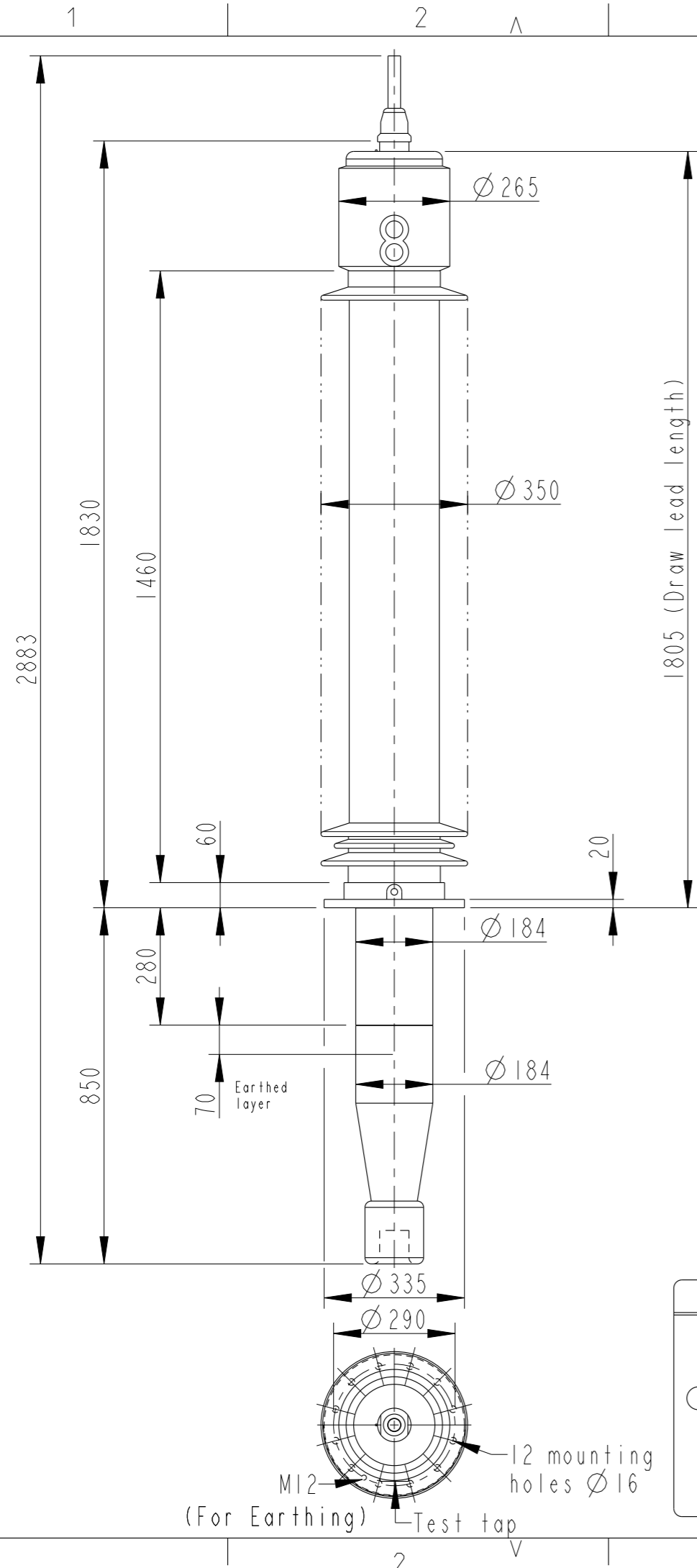


This document is issued by means of a computerized system. The digitally stored original is electronically approved. The approved document has a date entered in the "Approved"-field. A manual signature is not required.

The information contained in this document has to be kept strictly confidential. Any unauthorized use, reproduction, distribution or disclosure to third parties are strictly forbidden. ABB reserves all rights regarding Intellectual Property Rights. © Copyright 2008 ABB. All rights reserved.



### Bushing Data:

Rated Voltage	170	kV
Phase to Ground Voltage	170	kV
Dry Lightning Impulse I, 2/50µs	750	kV
Wet power frequency AC	325	kV
Routine test Imin dry 50Hz	365	kV
Rated Current	1250	A
Creepage Distance	5420±150	mm
Creepage Distance Protected	2330	mm
Mass	197	kg

### Ordering Data:

<b>BUSHING</b>	LF123105-M	COLOUR AIR INSULATOR	BROWN
	-N		LIGHT GREY
<b>OUTER TERMINAL</b>	Material	D	L
LF 170 002-B	Cu alloy,	Ø30,125	
LF 170 001-B	Al,	Ø30,125	
OTHER TYPES ON REQUEST			
<b>INNER TERMINAL FOR STRANDED CABLE</b>			
<b>For brazing</b>	Conductor area	D1	
LF 170 011-T	up to 285mm²	Ø29	
LF 170 011-V	Undrilled with pilot hole	Ø5	
<b>SOLID ROD CONNECTOR</b>	Material		
LF 170 052 -BA	for Alt.1	Cu	
LF 170 052 -BB	for Alt.2	Cu	

Note:  
 Mounting inclination 0-45°.  
 ⚠ For inclined and horizontal mounting, see Installation and Maintenance Guide.

ABB		Ludvika, Sweden	
No.	Um/Uy	kV Ir	A 50/60 Hz
BL	kV SL	kV AC	kV
M	kg L	mm	°
C1	pF	Tan δ	x
C2	pF	Tan δ	x

Prepared	Palpandi K	2013-04-23	Responsible department	PPCO/BK	Title	GOB 750-1250-0.3	Language	82
Modified by	Palpandi K	2013-04-26	Take over department					
Approved by	Niklas Olsson	2013-04-29	Used in product		WITH OIL LEVEL GAUGE LONG END SHIELD	Order	Sheet no.	1
Revision	B	Note added			Document no.	2751369-226	No. Shis.	(1)

