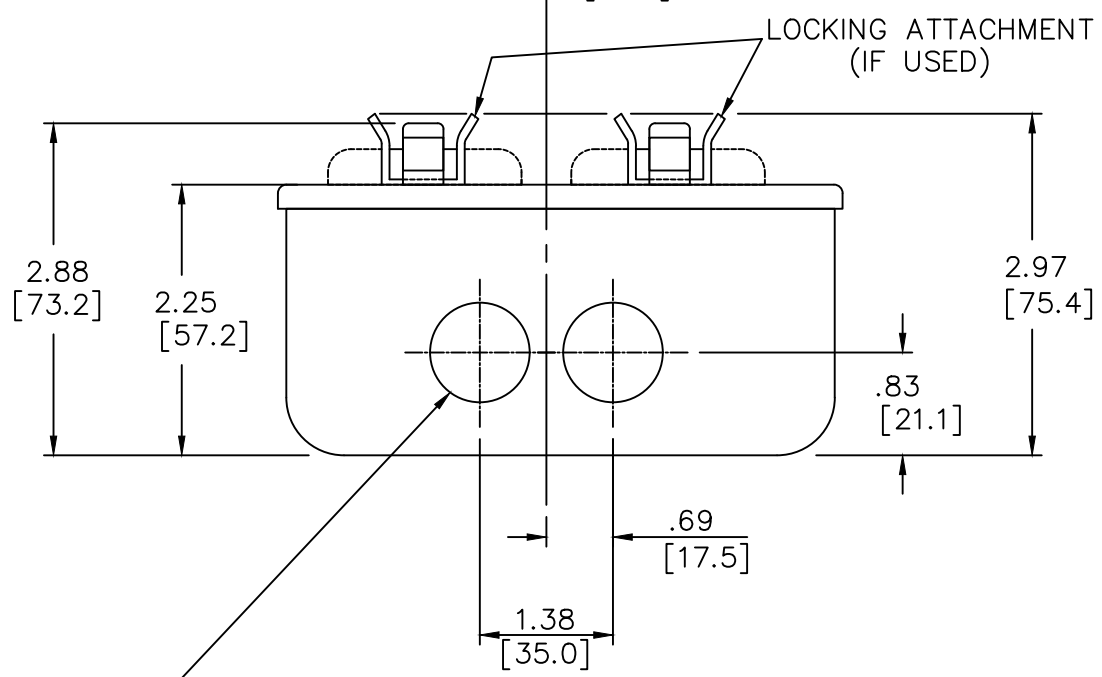
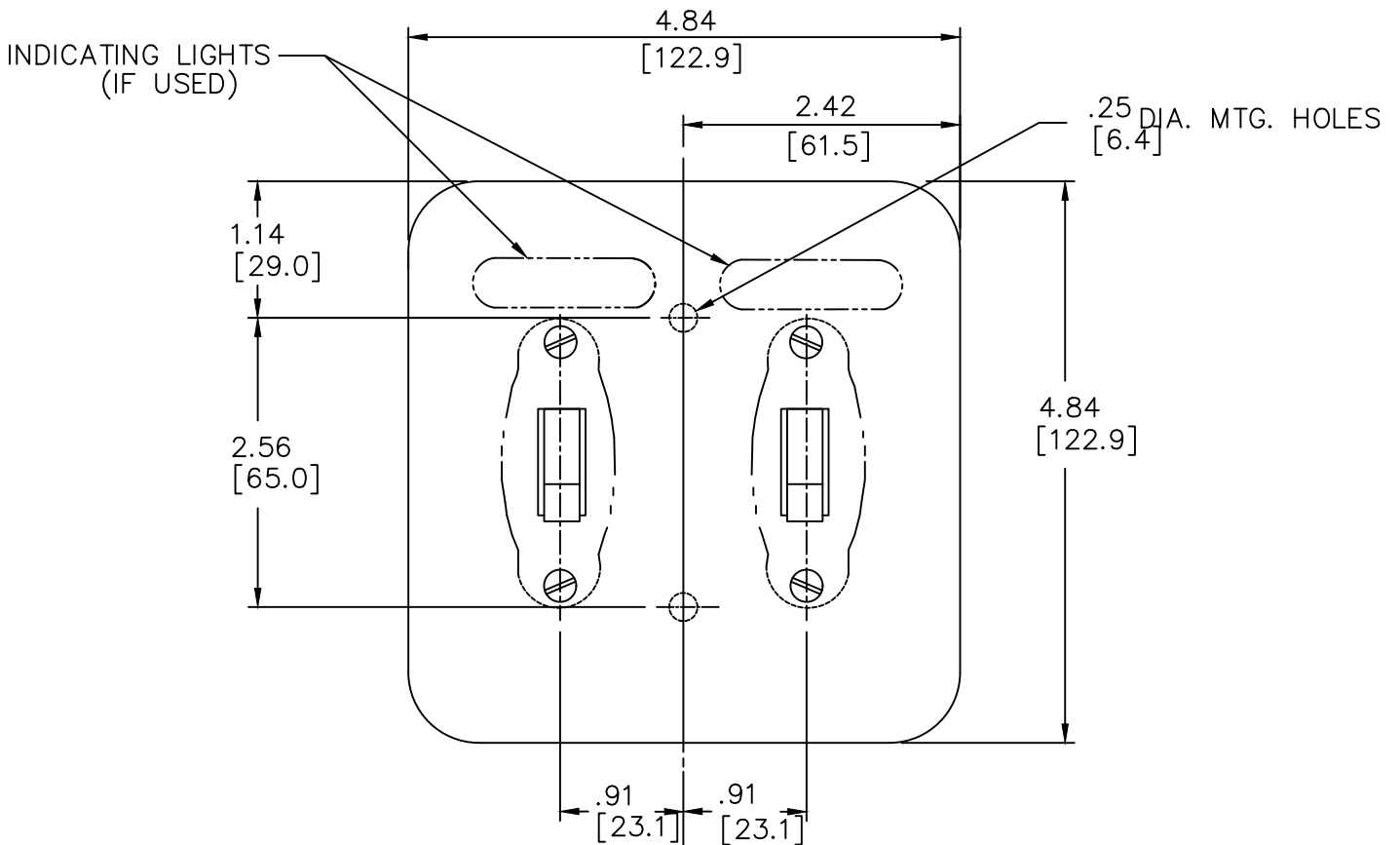


DUAL DIMENSIONS [INCHES / MILLIMETERS] (ESTIMATING ONLY)



2 KNOCKOUTS FOR 1/2" CONDUITS TOP AND BOTTOM

ABB NUMBER: 15QC910037D0201



OUTLINE
CR101

THIRD ANGLE	SHEET#	DWG NO.	DATE	REV
	1 of 1	546A507	04/25	E