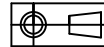


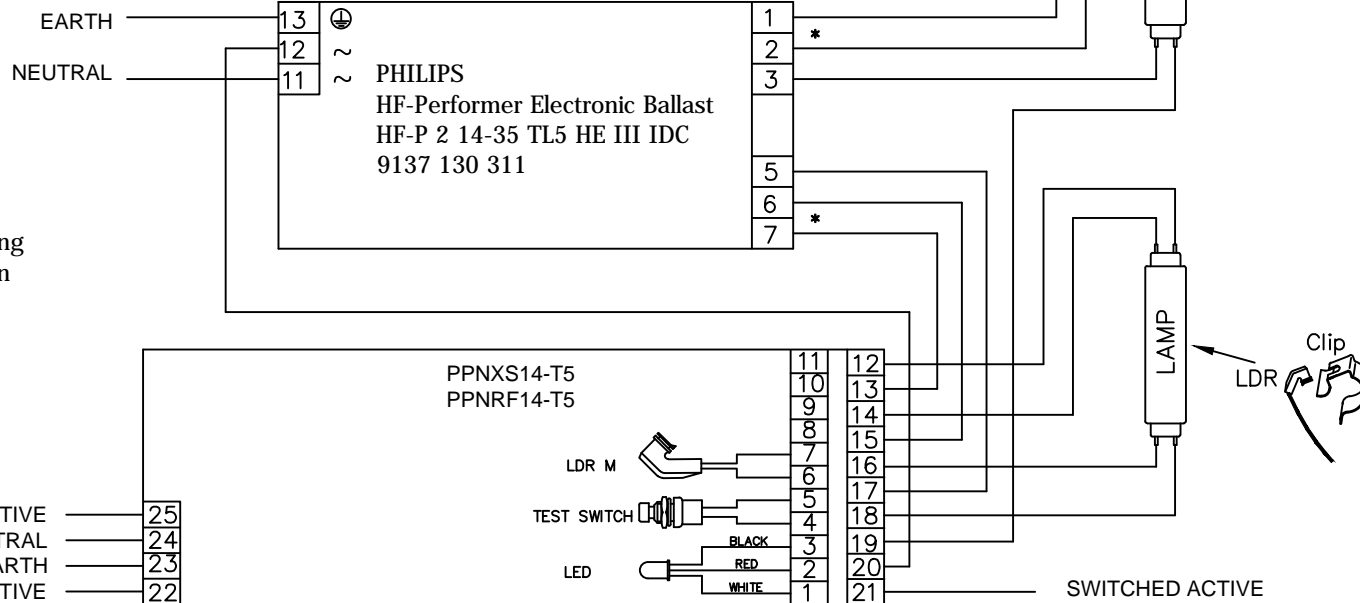
DRAWING NUMBER
NPWD129A

DO NOT SCALE



ISS	DATE	CHANGE	APPROVAL	ZONE
A	29/01/2015	ORIGINAL ISSUE		

* Keep wires 1, 2, 6 & 7 short



For EMC filter connections refer fitting sample. Two filters are use i.e. 1 on Un-switched Active and other on Switched Active mains supply

SWITCHED ACTIVE — 25
240Vac 50Hz NEUTRAL — 24
EARTH — 23
UNSWITCHED ACTIVE — 22

PPNXS14-T5
PPNRF14-T5

LDR M

TEST SWITCH

LED

SWITCHED ACTIVE

Keep earth wire short.
If possible use ring terminal
and earth at control pack
mounting screw.

DATA, RF ANTENNA & BATTERY PACK CONNECTIONS NOT SHOWN

NOTES:

1. Wiring status: Draft - Not tested. The ballast / power pack combination has not been wired up and tested to confirm functional compatibility.
2. This wiring diagram is provided in good faith and the best of our knowledge at the time of publication. Thomas and Betts does not give any warranty or representation as to the accuracy, reliability or completeness of the information. Thomas and Betts shall not be liable for any loss or damage arising in any way from or in connection with any information provided or omitted, or from anyone acting or refraining to act in reliance on this information.
3. Changes to ballast specification by the manufacturer are beyond our control and may cause adverse effect on the performance, EMC issue and compatibility issue. Consult Thomas and Betts for further advise.

DRAWN	G.K.Grover	Thomas & Betts <small>A Member of the ABB Group</small> <small>ABN 62074810898 23A NYRANG ST, LIDCOMBE NSW 2141 AUSTRALIA</small>		
CHECKED	-----	TITLE Wiring diagram using PPNRF14-T5 with PHILIPS HF-Performer 2 x 14W HF-P 2 14-35 TL5 HE III IDC Electronic Ballast		
APPROVED	G.K.Grover	ALSO USED ON PPNXS14-T5	DRAWING NUMBER NPWD129A	SHEET SIZE A3
DATE:	29/01/15	DRAWING STD AS 1100	SCALE N.T.S.	SHEET 1 OF 1