

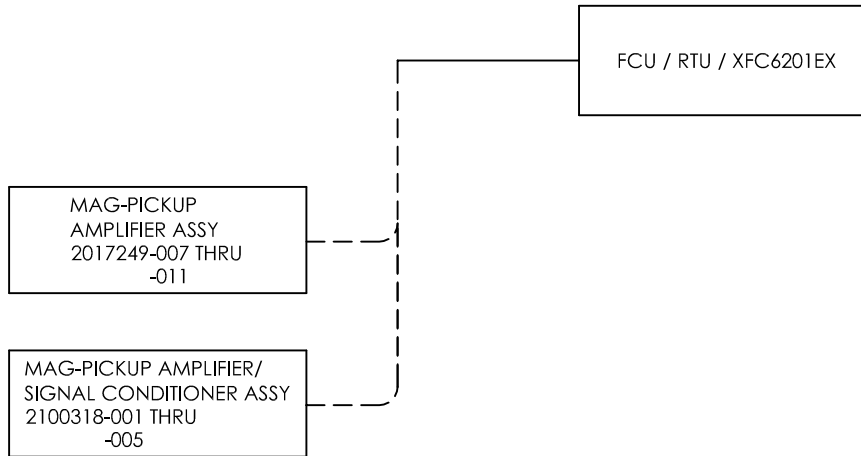
REVISIONS


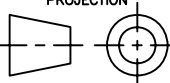
REV	ACTION	DRAWN	CHECKED	APPROVED	DATE
AD	D20717	KASTNER	KASTNER	BUSHNELL	07/08/29
AB	D11987	KASTNER	KASTNER	HOLLAND	01/10/04
AC	D20139	ROBERTSON	ROBERTSON	BUSHNELL	06/11/14

NOTES:



2000028-XXX  
 2010020-XXX  
 2010054-XXX  
 2010282-XXX  
 2011772-XXX  
 2012803-XXX



ASSEMBLY/QUANTITY		ITEM NO.	PART NUMBER	DESCRIPTION	REF/ZONE DESIG MATERIAL	UNIT MEAS
		001				
DO NOT SCALE DRAWING		UNLESS OTHERWISE SPECIFIED DIMENSIONS ARE IN INCHES		PRODUCT LINE TOTALFLOW®	LEVEL 3	 TOTALFLOW Products
THIRD ANGLE PROJECTION		TOLERANCES ARE: DECIMAL                      ANGULAR .XX ± --                      ± -- .XXX ± --		DESIGN G. HOLLAND	DATE 01/08	
		BREAK ALL SHARP CORNERS AND EDGES DIMENSIONS APPLY BEFORE FINISH		DRAWN A. KASTNER	01/08/09	
				CHECKED A. KASTNER	01/08/09	
				APPROVED G. HOLLAND	01/08/09	SCALE NONE    SIZE B    DOC WI DRAWING NO. 2100524    REV AD    SHEET 1 OF 3

MAG-PICKUP  
AMPLIFIER/  
SIGNAL  
CONDITIONER  
ASSY

MODEL  
ELEK PCBA  
TERM PCBA  
COMM  
I/O OPTION  
PCBA

6414

2015333-XXX  
2100204-XXX  
2102838-XXX  
XFC G4

6713/6714

2015382-XXX

66XX



2010232-XXX

6490/6890

2100355-XXX  
2103022-XXX  
XRC G4

6413

XFC6201EX

2101487-XXX

