

We reserve all rights in this document and in the information contained therein. Reproduction, use or disclosure to third parties without express authority is strictly forbidden. © ABB 19

Pos. Läge	H connects H förbinder
1	1 - 15
2	2 - 15
3	3 - 15
4	4 - 15
5	5 - 15

On-load tap-changer type UZEL., UZFL., 5 tap positions, linear switching.

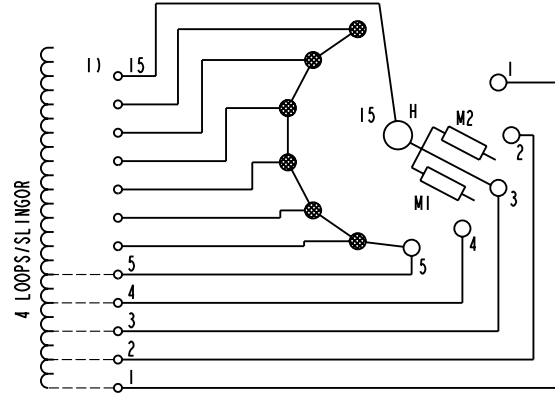
Max. effective No. of turns in pos. 1.

The tap-changer is delivered set in pos. 3.

Lindningskopplare typ UZEL., UZFL., 5 lägen, linjär koppling.

Max. antal effektiva varv i läge 1.

Lindningskopplaren levereras inställd i läge 3.



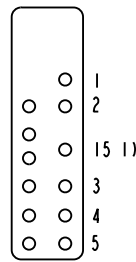
The tap-changer is shown in pos. 3  
Lindningskopplaren visad i läge 3

H Main contact                      M1, M2 Transition contacts  
Huvudkontakt                      Motståndskontakter

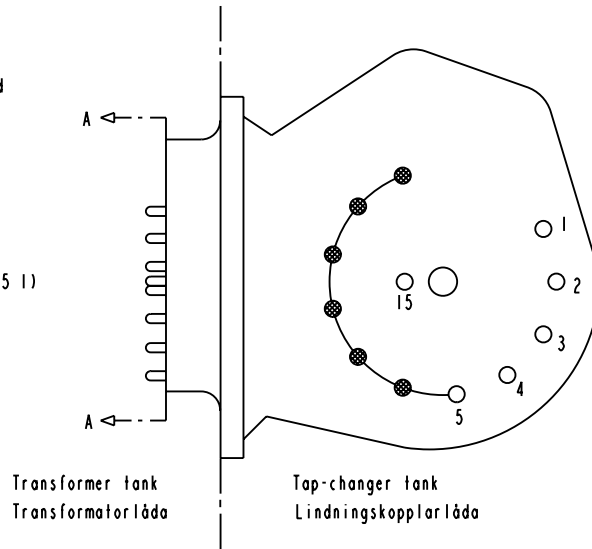
1) Connections between the terminals 15 of the three phases are included in the star-point type.

Förbindningar mellan uttag 15 i de tre faserna ingår i nollpunktsutförandet.

Terminal board  
Plint



Section A-A  
Sektion A-A



Transformer tank  
Transformatorlåda

Tap-changer tank  
Lindningskopplarlåda

Sheet	Cont	Year	Week	Appd	Year	Week	Description (English) CONNECTION DIAGRAM		DATA ORIGINAL
Year	Week	Cont	Year	Week	Year	Week	Description (own language) KOPPLINGSSCHEMA		File name 0393-1
Rev Ind	Revision	Accepted by qual control	Accepted for prod by	Rev Ind		Year	Week	Lang	
Rev Ind	Revision	Accepted by qual control	Accepted for prod by	Rev Ind		Year	Week	Sheet	
Design checked by	B-O. Stenestam	Drawn by	L. Bergman	Design checked by		M. Hedlund	Issued by Dept	Year	Week
Design checked by	M. Hedlund	Issued by Dept	COM/TKO	Year	97	Week	33	Rev Ind	
Drawn by		Form No.		Design checked by		Form No.		Cont	
ABB		Asea Brown Boveri		5492		0393-1		-	