

Types VOZZ-15 and VOZZ-15G Outdoor voltage transformers

Product features

- 25 kV, 150 kV BIL, 60 Hz, outdoor
- Primary volts: 12000 - 24940
- VOZZ-15 electrical clearances:
 - Strike: 19.0" (483 mm)
 - Creep: 36.25" (921 mm)
- VOZZ-15G electrical clearances:
 - Strike: 12.0" (305 mm)
 - Creep: 30.5" (775 mm)
- Approximate weights:
 - VOZZ-15: 205 lbs (93 kg)
 - VOZZ-15G: 202 lbs (92 kg)

Application

The VOZZ-15 and VOZZ-15G outdoor voltage transformers are used for high burden metering and relaying service on 25 kV systems. These units replace the Westinghouse PT-25 gum-filled potential transformers.

Construction features

The primary and secondary coils are wound using special winding and shielding techniques for improved voltage stress distribution. Each coil is insulated with mylar film to provide a high dielectric strength between layers. The coils and core are combined to create a complete winding structure that is assembled to a support frame. The entire assembly is vacuum cast in polyurethane for added insulation and protection.

Terminals

Stud-type or clamp-type primary terminals are .750-16 x 1.125" and accommodate #10 to 250 MCM conductors. Compression-type secondary terminals accommodate #14 through #3 wire.

Baseplate

The baseplate is constructed of corrosion-resistant aluminum with pre-drilled mounting holes.



Mounting

The VOZZ-15 and VOZZ-15G transformers can only be mounted in the upright position.

Curves

Type curves are available upon request.

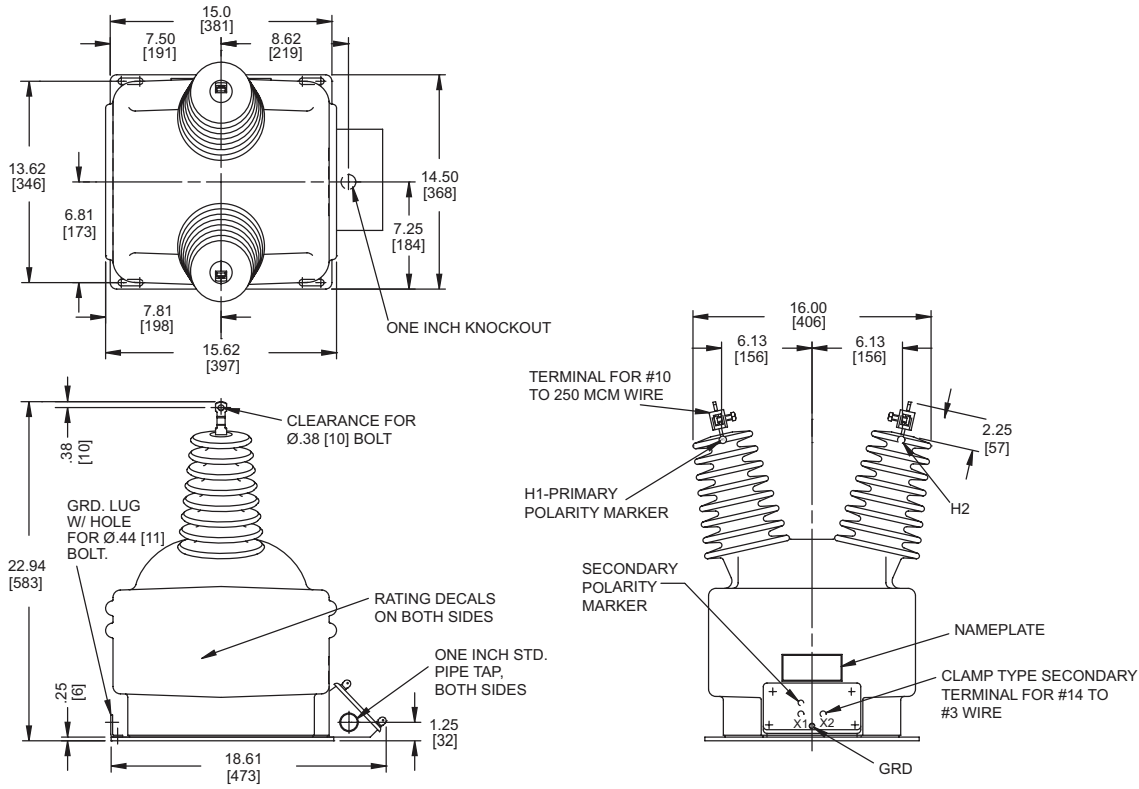
Test reports

Test reports are stored electronically and can be e-mailed in various formats at the time of shipment.

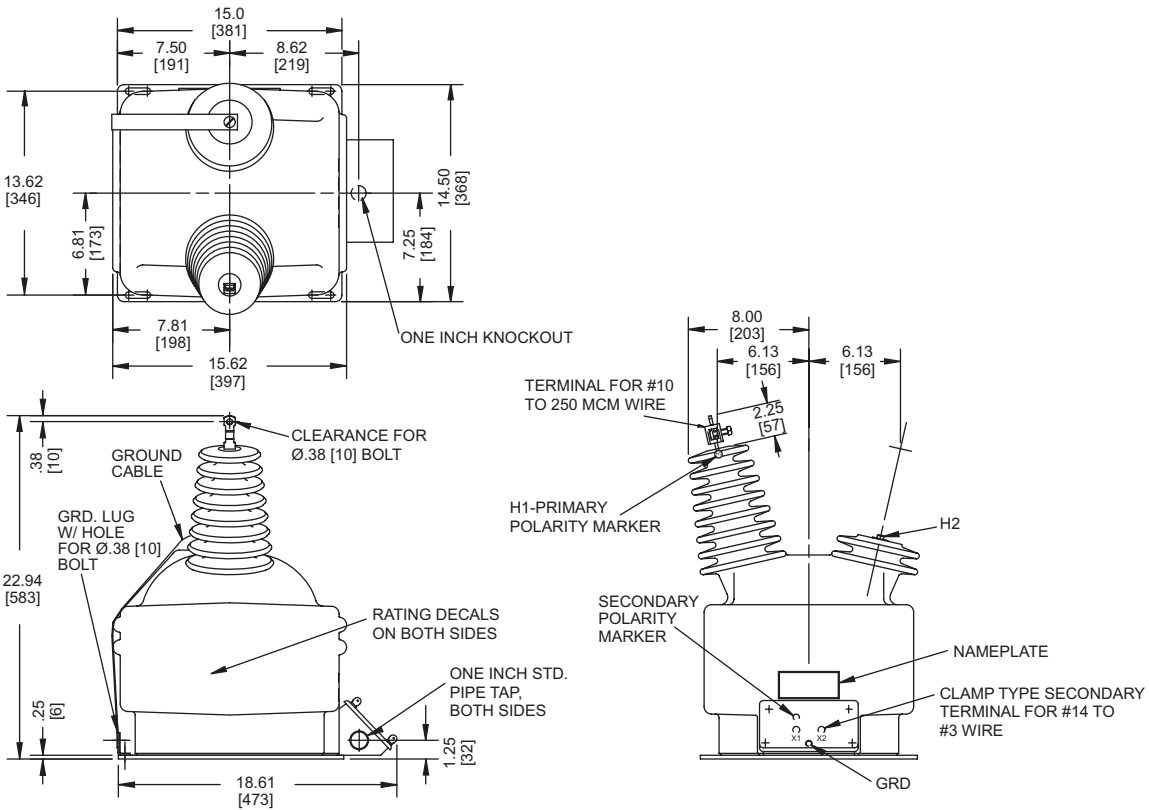
Standards

This unit can be tested to all applicable IEEE, CSA, or IEC standards as requested.

Unit dimensions



Type VOZZ-15



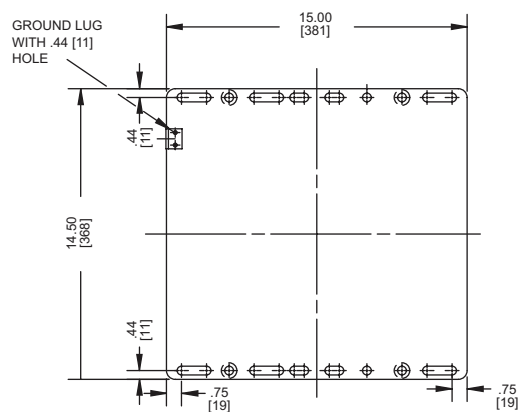
Type VOZZ-15G

Selection guide

Primary voltage	Secondary voltage	Winding ratio	Metering accuracy	Thermal rating (VA)	Rated voltage factor	Frequency	Style number
Type VOZZ-15							
12000/20800Y	120	100:1	0.3ZZ	3000	1.1	60	7525A93G01
14400/24940Y	120	120:1	0.3ZZ	3000	1.1	60	7525A93G02
18000/18000Y	120	150:1	0.3ZZ	3000	1.1	60	7525A93G03
24000/24000Y	120	200:1	0.3ZZ	3000	1.1	60	7525A93G04
11523/19960Y	69	167:1	0.3Z	2000	1.1	60	7525A93G05
22080/22080Y	120	184:1	0.3ZZ	3000	1.1	60	7525A93G06
24000/24000Y	115	208.7:1	0.3ZZ	2000	1.1	50	7525A93G07
24000/24000Y	115	208.7:1	0.3ZZ	400	1.1	50	7525A93G08
18600/18600Y	120	155:1	0.3ZZ	3000	1.1	60	7525A93G09
24000/24000Y	120	200:1	0.3ZZ	750	1.1	50	7525A93G10
19920/19920Y	120	166:1	0.3ZZ	3000	1.1	60	7525A93G11
21000/21000Y	120	175 :1	0.3ZZ	3000	1.1	60	7525A93G12
19920/19920Y	120	166:1	0.3ZZ	3000	1.1	50	7525A93G13
20800/20800Y	120	173.33:1	0.3ZZ	3000	1.1	60	7525A93G14
18000/18000Y	120	150 :1	0.3Z	2000	1.8	60	7525A93G15
22900/22900Y	120	190.83 :1	0.3ZZ	3000	1.1	60	7525A93G16
14400/24940Y	72	200 :1	0.3ZZ	3000	1.1	60	7525A93G17
Type VOZZ-15G							
12000/20800GY	120	100:1	0.3ZZ	3000	1.1	60	7525A98G01
14400/24940GY	120	120:1	0.3ZZ	3000	1.1	60	7525A98G02
13200/22860GY	120	110:1	0.3ZZ	3000	1.1	60	7525A98G03
14400/24940GY	120	120:1	0.3Z	1200	1.1	50	7525A98G04
7200/12470GY	120	60:1	0.3ZZ	3000	1.1	60	7525A98G05
8000/13860GY	120	66.67:1	0.3ZZ	3000	1.1	60	7525A98G06
24000/24000GY	120	200:1	0.3ZZ	3000	1.1	60	7525A98G07
12000/20800GY	120	100:1	0.3ZZ	1000	1.1	60	7525A98G08

Additional styles available upon request. Contact your ABB sales representative or call +1-252-827-3212 for more information.

Baseplate dimensions



VOZZ-15 and VOZZ-15G baseplate

For more information please contact:

ABB Inc.

Medium Voltage Distribution Components

3022 NC 43 North

Pinetops, NC 27864

USA

Phone: +1 252 827 3212

Fax: +1 252 827 4286

www.abb.com/mediumvoltage

Note:

The information contained in this document is for general information purposes only. While ABB strives to keep the information up to date and correct, it makes no representations or warranties of any kind, express or implied, about the completeness, accuracy, reliability, suitability, or availability with respect to the information, products, services, or related graphics contained in the document for any purpose. Any reliance placed on such information is therefore strictly at your own risk. ABB reserves the right to discontinue any product or service at any time.

Copyright 2010 ABB.

All rights reserved.