
 TECHNICAL DATA SHEET

Ball valve, stainless steel

Part number: DBV-1/4

T&B® Fittings



Ball valve is used on T&B® drain adapter, which helps drain accumulated moisture or small debris from stainless steel enclosures.

Certifications / Standards:



Features:

- Two way flow through ball valve
- 1/4" female NPT threaded connection for assembling a drain tube

Applications:

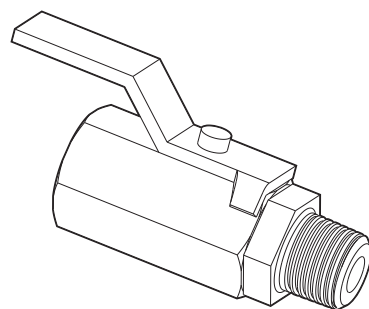
- For use on stainless steel electrical enclosures
- Food and beverage facilities
- Drain adapter used in conjunction with the T&B ball valve, offers a UL Type 4X rating, IP69 and is suitable for wash down areas

Conforms to:

- cULus Listed, Type 4x, when assembled with T&B® drain adapter, FG-DA-3/8
- NSF Certified per NSF/ANSI Standard 169 for food and beverage applications
- FDA compliant material

Materials / Finishes:

- Stainless Steel, Type 316 (corrosion resistance)



1/4" NPT Female pipe thread

