

KOR-15CER

High-accuracy extended range outdoor metering current transformer



The KOR-15CER high-accuracy extended range outdoor current transformer is designed for metering outdoor 25 kV systems. Due to its wide operating range and high accuracy, it provides greater value by reducing inventory requirements and increasing revenue.

Product features

- 25 kV outdoor
- 150 kV BIL, 60 Hertz
- Electrical clearances:
Strike: 15.75" (400 mm); Creep: 36.50" (927 mm)
- Approximate weight: 110 lbs. (50 kg)

Application

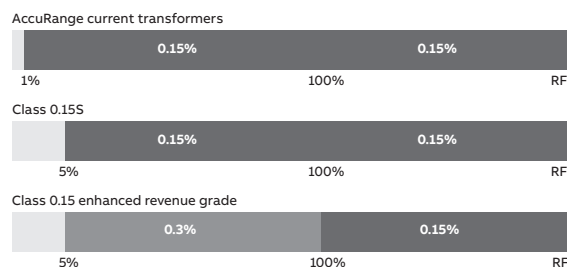
The KOR-15CER extended range outdoor current transformer is designed for metering outdoor 25 kV systems. Ideal for use in cogeneration and in applications where there are large power exchanges, the unit preserves stated accuracies with loads ranging from one percent of the full rated current through the rating factor. Due to its wide operating range and high accuracy, it provides greater value by reducing inventory requirements and increasing revenue.

Construction features

For insulation and protection, the assembly is cast in hydrophobic cycloaliphatic epoxy (HCEP) using automatic pressure gelation. The HCEP material offers superior arc track, ozone, and ultraviolet-resistive properties while maintaining physical strength. Hydrophobic surface properties ensure highly reliable performance in wet, humid, polluted or coastal environments.

High accuracy and extended range

The KOR-15CER is part of ABB's AccuRange® current transformer family and delivers high accuracy and stable performance over a wide load swing, making it a great fit for variable load applications. Accuracy is guaranteed to be +/- 0.15% from 1% of nominal current through rating factor. ABB's extended range units deliver savings through improved accuracy metering and reduced inventory.



Benefits of HCEP

- Enhanced water shedding properties
- Reduced contamination-related leakage currents
- Improved product quality and reliability
- Improved UV protection
- Results in a more consistent and reliable product
- Reduced loss of revenue from downtime

Terminals

Primary terminals are electro-tin plated copper. Clamp-type secondary terminals accommodate #14 through #1 wire.

Junction box

The junction box is provided with 1" conduit hubs on each end and a knock-out for fitting a conduit connection from the bottom. It may be detached for ease of installation and changeout procedures.

Baseplate

The baseplate is constructed of corrosion-resistant aluminum and is secured to the encapsulated base support.

Mounting

The KOR-15CER can be mounted in upright, cantilever, or upside-down positions. Stress relief devices should be used to support cable connections.

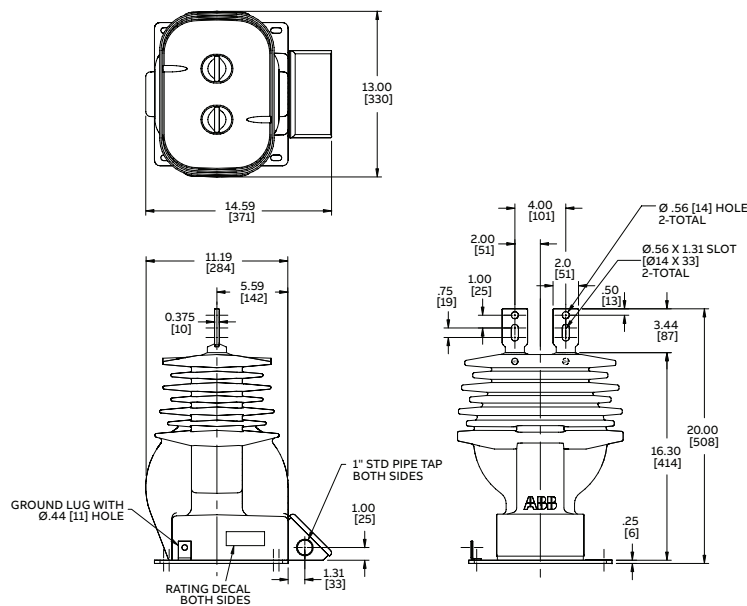
Test reports

Test reports are stored electronically and can be e-mailed in various formats at the time of shipment.

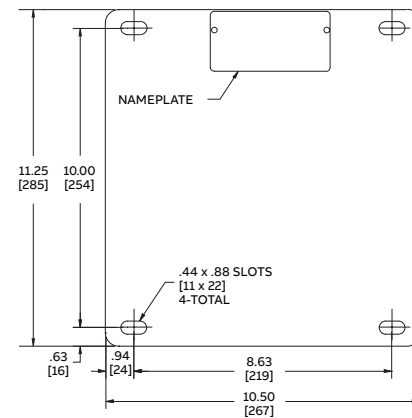
Standards

This unit meets or exceeds all requirements of IEEE C57.13-2016 and can be tested to other standards as requested.

Unit dimensions (inches [mm])



Baseplate dimensions (inches [mm])



Selection guide

| Primary amperes | Rating factor @ 30° C | Metering accuracy | Thermal rating* | Mechanical rating ⁺ | Style number |
|-----------------|-----------------------|-------------------|-----------------|--------------------------------|--------------|
| 25 | 3.0 | 0.15S-0.5 | 100 | 270 | E-923A432G12 |
| 30 | 1.5 | 0.15S-0.9 | 100 | 270 | E-923A432G07 |
| 50 | 1.5 | 0.15S-0.9 | 100 | 270 | E-923A432G06 |
| 100 | 1.5 | 0.15S-1.8 | 100 | 270 | E-923A432G11 |
| 200 | 1.5 | 0.15S-1.8 | 100 | 270 | E-923A432G01 |
| 300 | 1.5 | 0.15S-1.8 | 100 | 270 | E-923A432G05 |
| 400 | 1.5 | 0.15S-1.8 | 100 | 270 | E-923A432G09 |
| 600 | 1.5 | 0.15S-1.8 | 100 | 270 | E-923A432G08 |
| 800 | 1.5 | 0.15S-0.9 | 75 | 200 | E-923A432G15 |
| 1000 | 1.5 | 0.15S-1.8 | 60 | 160 | E-923A432G02 |

Additional styles available upon request. Contact your ABB sales representative or call +1-252-827-3212 for more information. Relay accuracy: not to be used for relay applications + times normal. For 50 Hz styles, contact the factory.