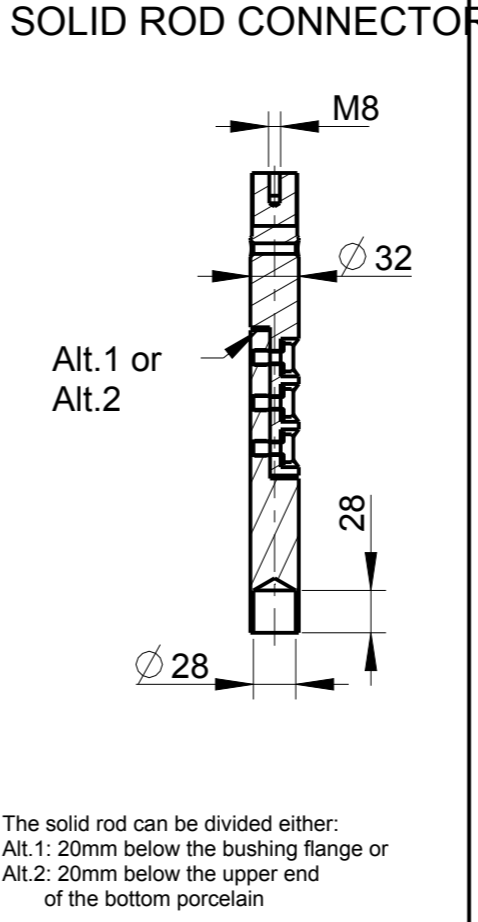
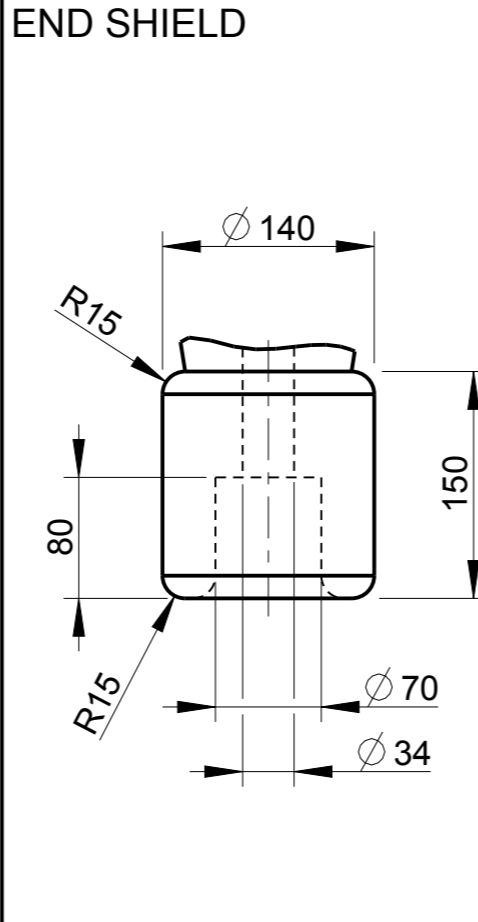
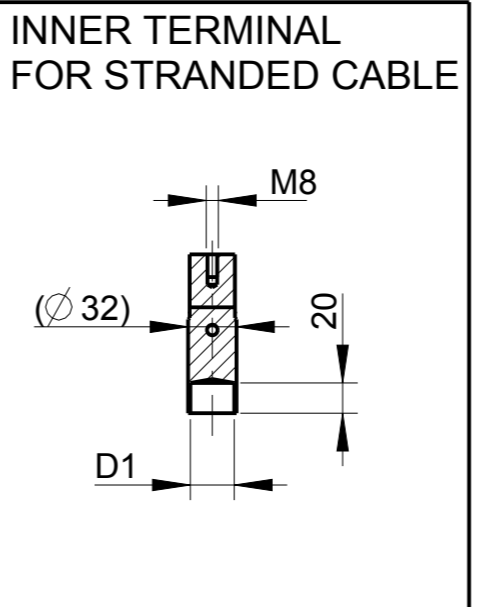
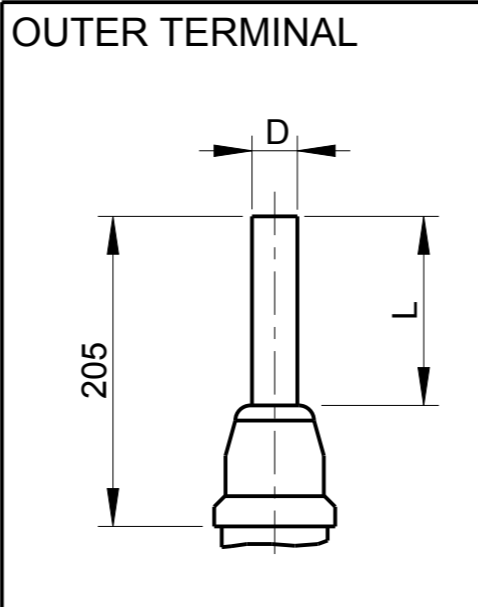
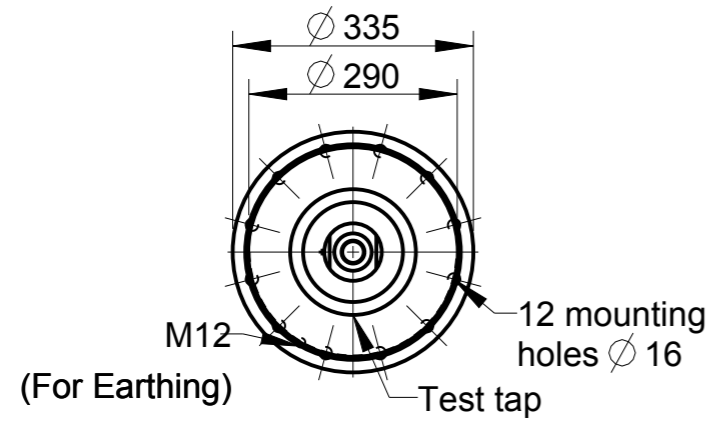
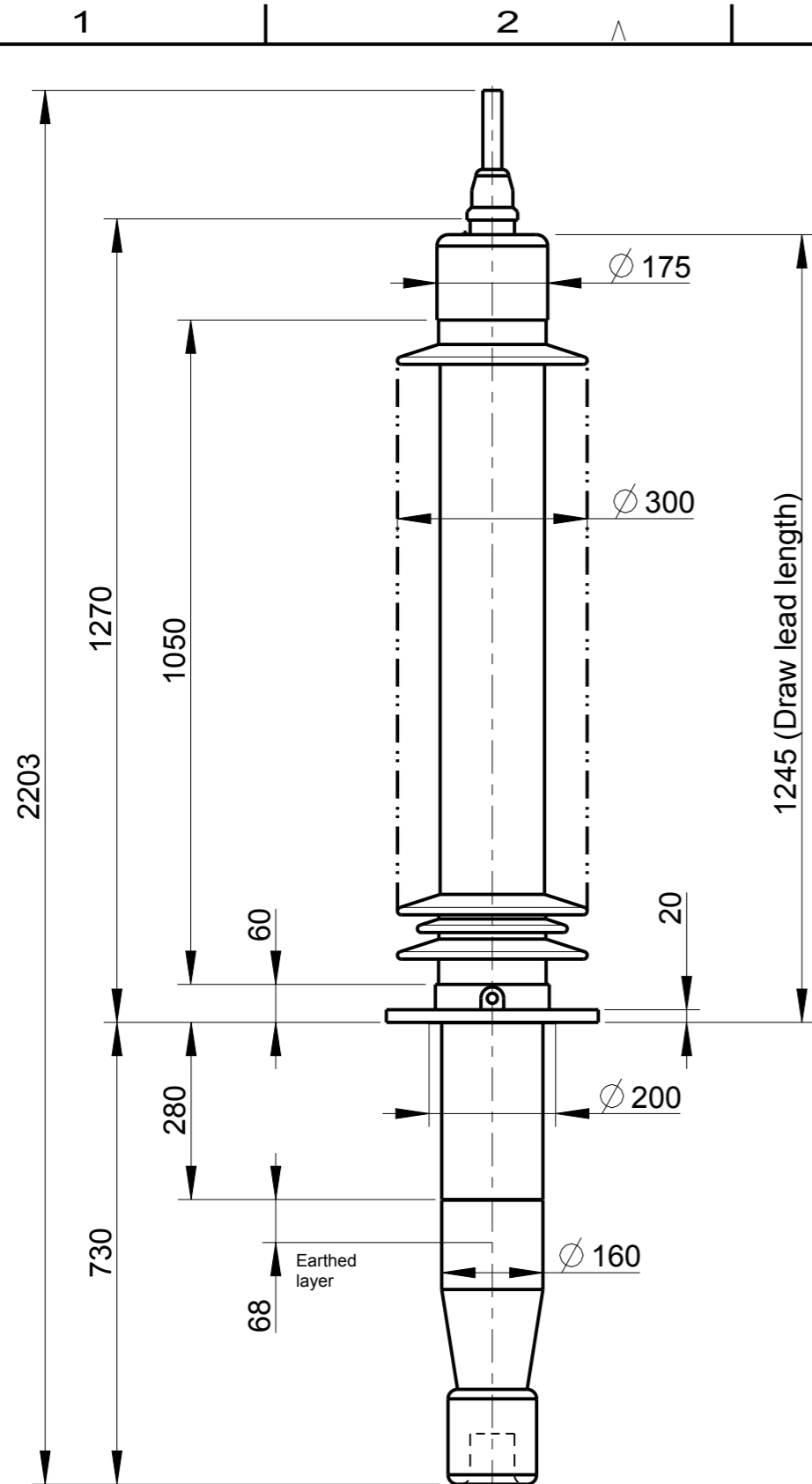


This document is issued by means of a computerized system. The digitally stored original is electronically approved. The approved document has a date entered in the 'Approved'-field. A manual signature is not required.

The information contained in this document has to be kept strictly confidential. Any unauthorized use, reproduction, distribution or disclosure to third parties are strictly forbidden. ABB reserves all rights regarding Intellectual Property Rights. © Copyright 2013 ABB. All rights reserved.



The solid rod can be divided either:
 Alt.1: 20mm below the bushing flange or
 Alt.2: 20mm below the upper end of the bottom porcelain

Bushing Data:

Rated Voltage	170	kV
Phase to Ground Voltage	123	kV
Dry Lightning Impulse 1,2/50µs	550	kV
Wet power frequency AC	230	kV
Routine test 1min dry 50Hz	260	kV
Rated Current	1250	A
Creepage Distance	3430±100	mm
Creepage Distance Protected	1350	mm
Mass	109	kg

Ordering Data:

BUSHING	COLOUR AIR INSULATOR
LF123067-M	BROWN
-N	LIGHT GREY
OUTER TERMINAL	Material D L
LF 170 002-B	Cu alloy, Ø 30,125
LF 170 001-B	Al, Ø 30,125
OTHER TYPES ON REQUEST	
INNER TERMINAL FOR STRANDED CABLE	
For brazing	Conductor area D1
LF 170 011-T	up to 285mm ² Ø 29
LF 170 011-V	Undrilled with pilot hole Ø 5
SOLID ROD CONNECTOR	Material
LF 170 052 -AN for Alt.1	Cu
LF 170 052 -AP for Alt.2	Cu

Note:
 Mounting inclination 0-45°.
 For inclined and horizontal mounting, see Installation and Maintenance Guide.

ABB		Luhja, Sweden	
No.	Um/Uy	kV Ir	A 50/60 Hz
BL		kV SL	kV AC
M		kg L	mm V
C1		pF Tan δ	x
C2		pF Tan δ	x

Prepared	iladmin	2008-04-30	Responsible department	PPCO/BK	Title	GOB 550-1250-0.3		
Modified by	Palpandi K	2013-04-26	Take over department		Language			82
Approved by	Niklas Olsson	2013-05-08	Used in product		Sheet no.			1
Revision	B	Note added			Order		No. Shfts.	(1)
ABB						Document no.	2751369-154	