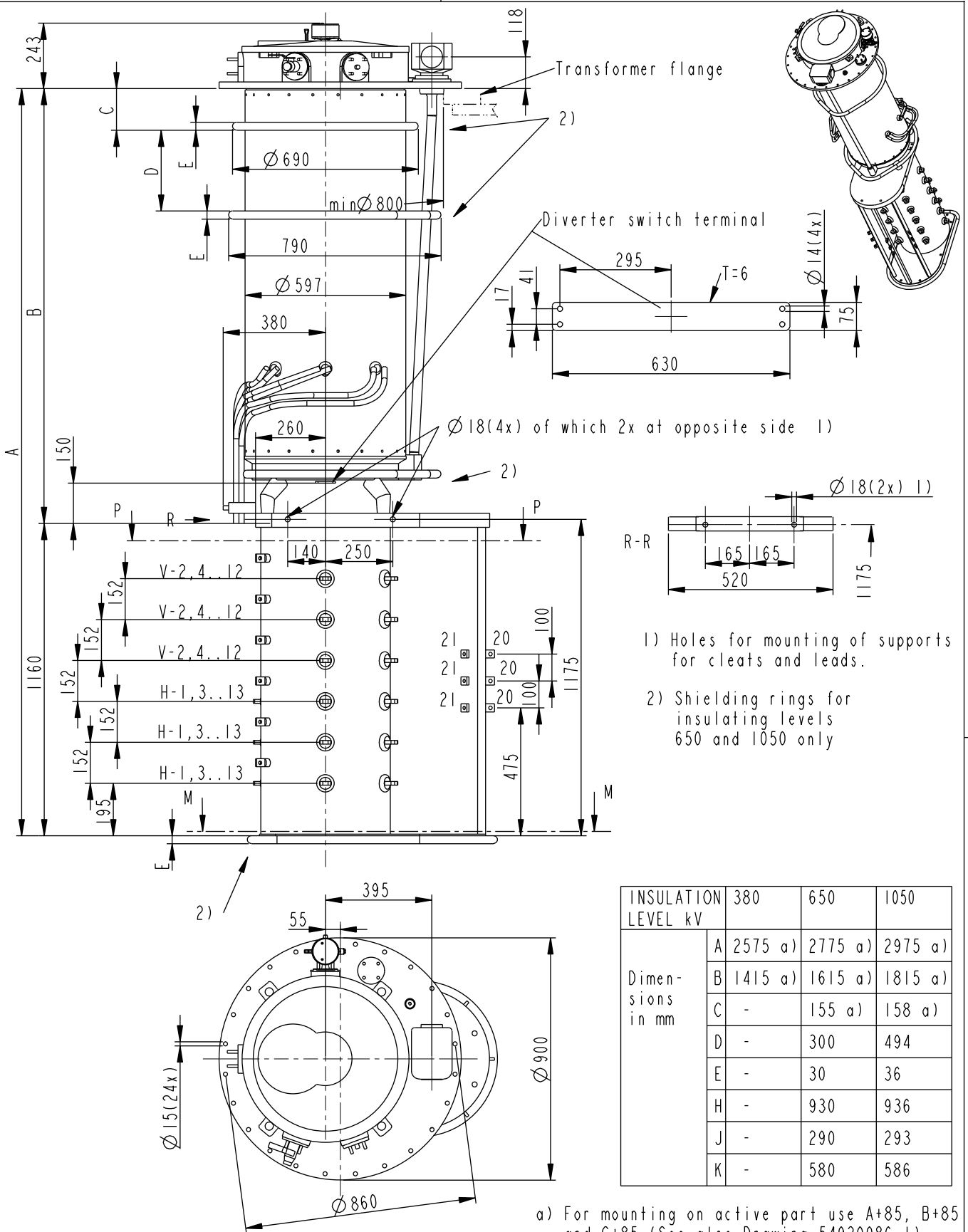


We reserve all rights in this document and in the information contained therein. Reproduction, use or disclosure to third parties without express authority is strictly forbidden. ©ABB



Inspection engineering review

Production engineering review

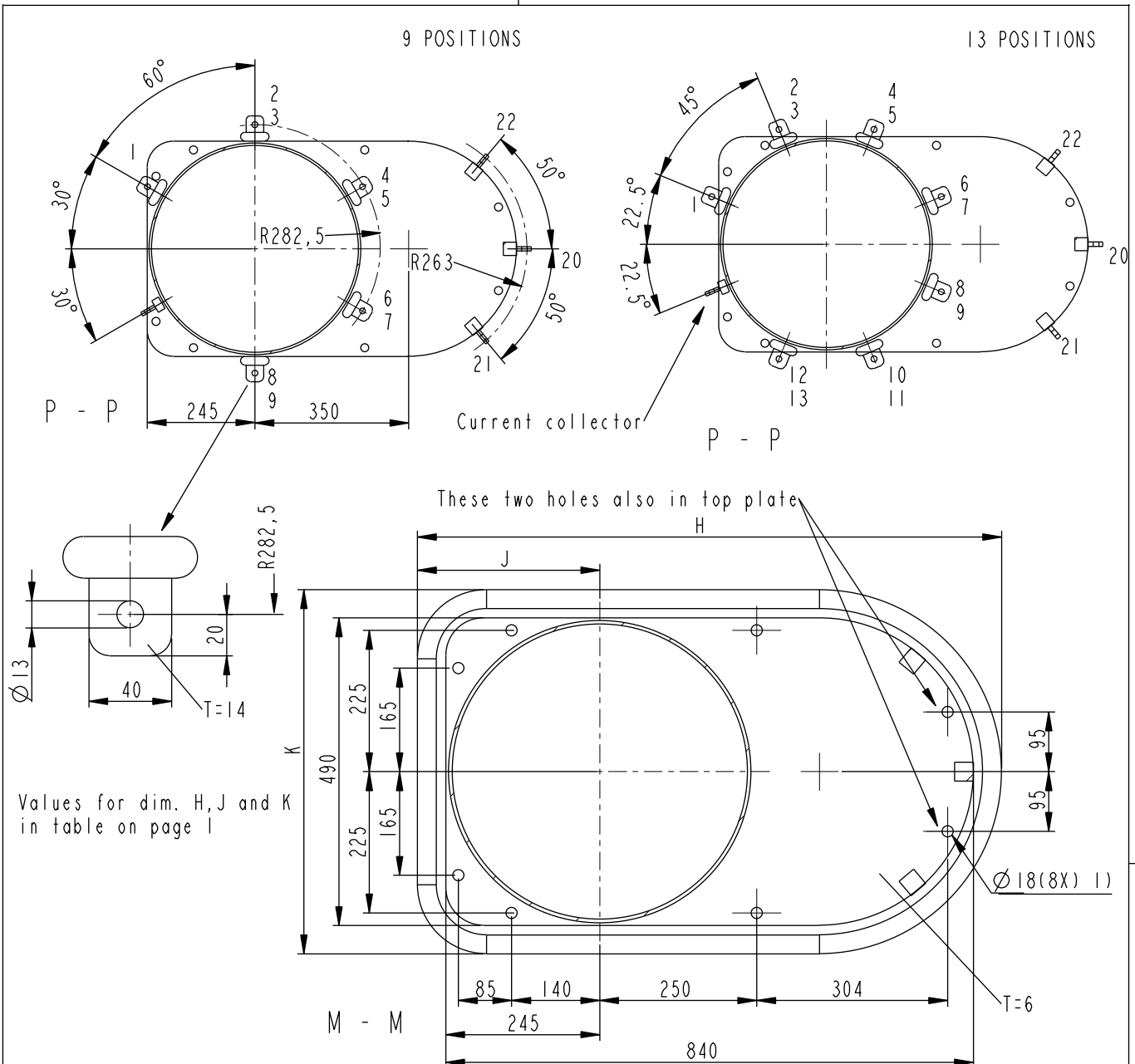
Design engineering review

Based on	Reg. No.	Title	
Prepared B Hultgren 96-09-11	Responsible department COM/TK	TAP-CHANGER UCLR AND UCLD	
Approved M Eriksson	Take over department	UCL.E,T XXXX/2400/III	
Revision Rev 4 06-10-06	Database DIMENSION_DWGS	9,13 POS	
ABB Components		Document No.	54920085-19

Language
en

Page
1(2)

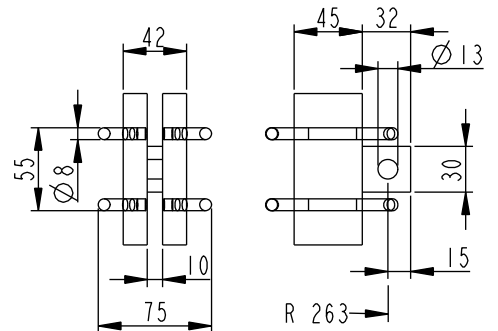
We reserve all rights in this document and in the information contained therein. Reproduction, use or disclosure to third parties without express authority is strictly forbidden. ©ABB



Values for dim. H, J and K in table on page 1

1) Holes for mounting of supports for cleats and leads

Tap selector contact 20,21,22 with shields



ADDITIONAL DRAWINGS:

Connection Diagrams: See Technical Guide UC
 Mounting on active part: 54920086-1
 Accessories: 54920086-2
 Motor Drive BUL: 54830001-1
 Motor Drive BUE: 54830001-2 or -3
 External Drive Shaft: 54920083-4
 Pressure Relay: 54920083-2
 Bevel Gear: 54920083-1

Based on	Reg. No.	Title	Language en
Prepared B Hultgren 96-09-11	Responsible department COM/TK		
Approved M Eriksson	Take over department	Page 2(2)	
Revision Rev.4 06-10-06	Database DIMENSION_DWGS	Document No. 54920085-19	



ABB Components

54920085-19

Inspection engineering review

Production engineering review

Design engineering review