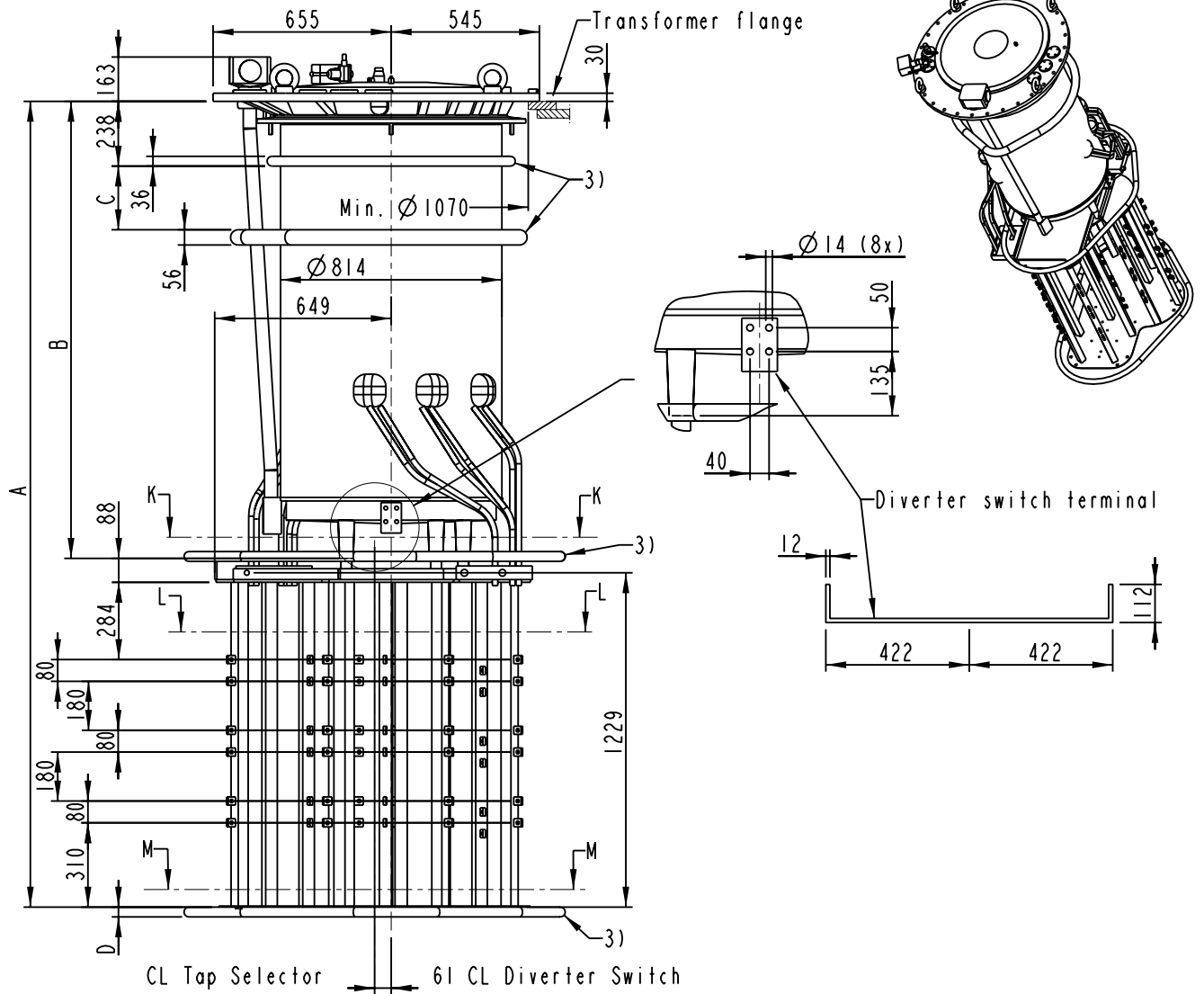


We reserve all rights in this document and in the information contained therein. Reproduction, use or disclosure to third parties without express authority is strictly forbidden. ©ABB



3) Shielding rings for insulating levels 650kV and 1050kV only

INSULATION LEVEL kV	380	650	1050	
Dimensions in mm	A	2822	2962	3162
	B	1540	1680	1880
	C	-	240	440
	D	-	36	50
	E	-	953	967
	F	-	1382	1396

Inspection engineering review

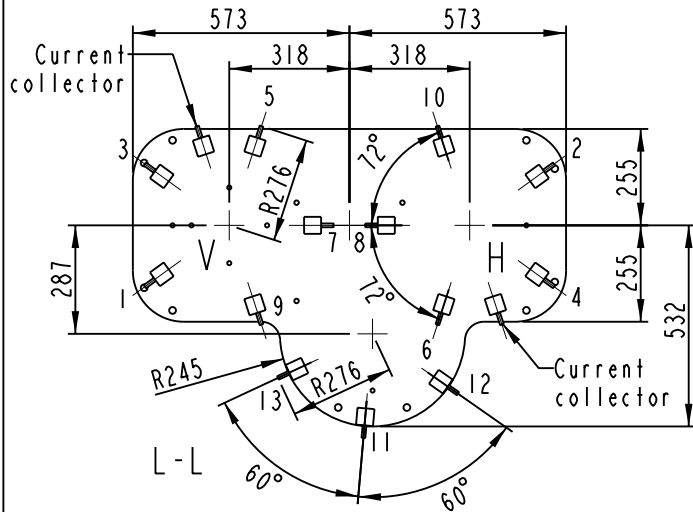
Production engineering review

Design engineering review

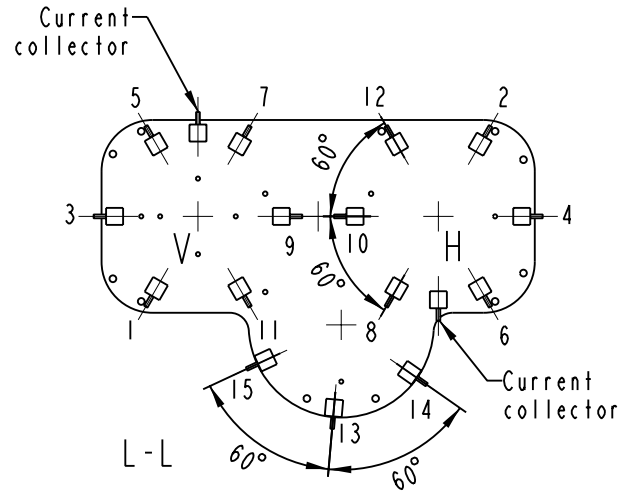
Based on	Reg. No.	Title TAP-CHANGER UCC UCCDN XXXX/800,1200 UCCDE XXXX/3600	Language en
Prepared T Sapila 96-11-11	Responsible department COM/TK		
Approved M Eriksson	Take over department		
Revision	Database DIMENSION_DWGS		
		Document No.	54920092-3
<b>ABB Components</b>			
			Page 1(4)



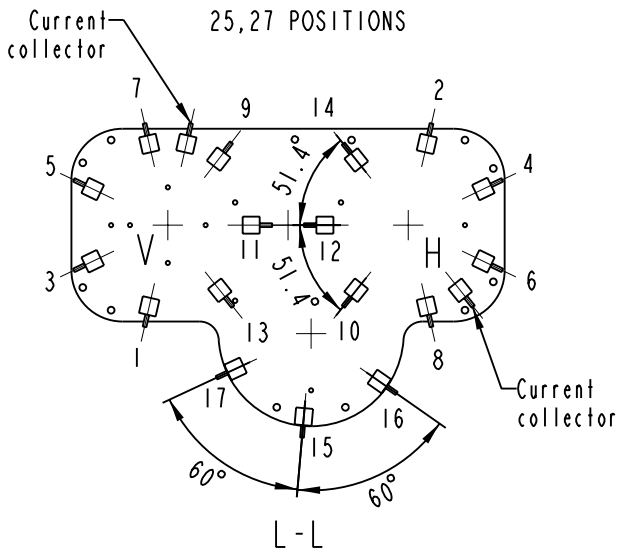
17,19 POSITIONS



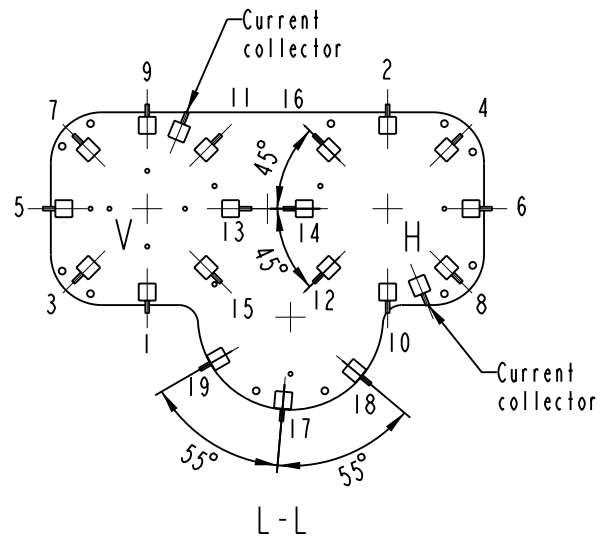
21,23 POSITIONS



25,27 POSITIONS



29,31 POSITIONS

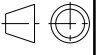



We reserve all rights in this document and in the information contained therein. Reproduction, use or disclosure to third parties without express authority is strictly forbidden. ©ABB

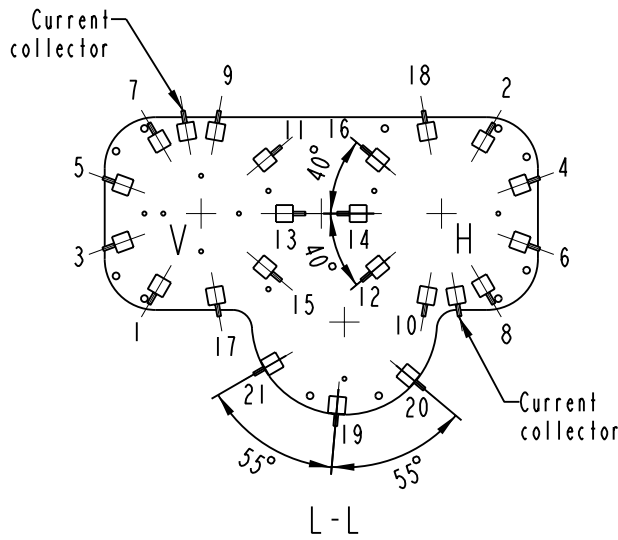
Production engineering review

Inspection engineering review

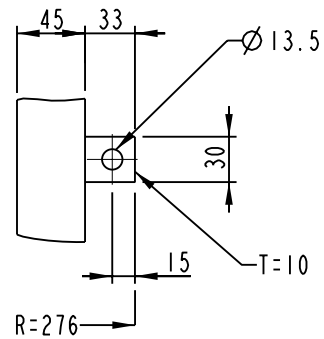
Design engineering review

Based on	Reg. No.	Title	
Prepared T Sapila 96-11-11	Responsible department COM/TK	TAP-CHANGER UCC	
Approved M Eriksson	Take over department	UCCDN XXXX/800,1200	
Revision	Database DIMENSION_DWGS	UCCDE XXXX/3600	Page 3(4)
 <b>ABB Components</b>		Document No. 54920092-3	

33,35 POSITIONS



TAP SELECTOR CONTACT




We reserve all rights in this document and in the information contained therein. Reproduction, use or disclosure to third parties without express authority is strictly forbidden. ©ABB

Production engineering review

Inspection engineering review

Design engineering review

**ADDITIONAL DRAWINGS:**  
 Connection Diagrams: See Technical Guide UC  
 Mounting on active part: 54920087-1  
 Top Section, Accessories: 54920087-2  
 Motor Drive BUE: 54830001-2 or -3  
 External Drive Shaft: 54920083-4  
 Pressure Relay: 54920083-2  
 Bevel Gear: 54920083-1

Based on	Reg. No.	Title	
Prepared T Sapila 96-11-11	Responsible department COM/TK		
Approved M Eriksson	Take over department	UCCDN XXXX/800,1200	Language en
Revision	Database DIMENSION_DWGS	UCCDE XXXX/3600	Page 4(4)
 <b>ABB Components</b>		Document No.	54920092-3