

PRODUCT SHEET

JSD-TK100S-12

2TLA930034R0000

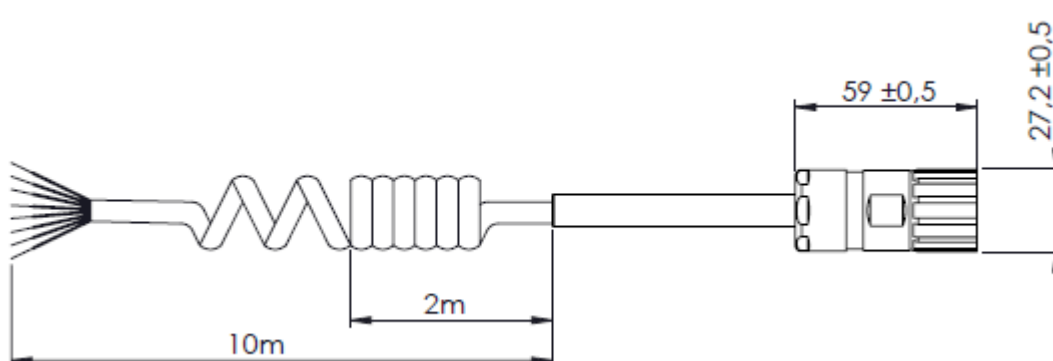
2/10 m spiral cable with 12-pin M23 female connector.
To be used when connecting HD5-S to a safety controller.



Pin configuration

No	Color
1	White
2	Brown
3	Green
4	Yellow
5	Grey
6	Pink
7	Blue
8	Red
9	Black
10	Violet
11	Grey/Pink
12	Red/Blue

Dimensions



Ordering information

Description	Type	Order code
JSD-TK100S-12 M23 spiral cable 2/10m	M12 Cable	2TLA930034R0000

Technical data

Technical data	
Wire diameter	12x0.25 mm ²
Wire material	Finely stranded copper
Wire insulation color	See table
Jacket insulation material	PUR, halogen-free
Jacket insulation outer diameter	6.80 mm ± 0.20 mm
Jacket insulation color	Black RAL 9005
M23 connector housing material	Nickel plated brass, die casted
M23 connector outer diameter	27 mm
Nominal voltage	24 V DC
Maximum rated voltage	36 V DC
IP-class	IP65
Temperature range	-40 to +90 C°

ABB Electrification Sweden AB
SE-721 61 Västerås, Sweden
abb.com/lowvoltage

Note

We reserve the right to make technical changes or modify the contents of this document without prior notice. With regard to purchase orders, the agreed particulars shall prevail. ABB does not accept any responsibility whatsoever for potential errors or possible lack of information in this document.

Copyright© 2021 ABB
All rights reserved