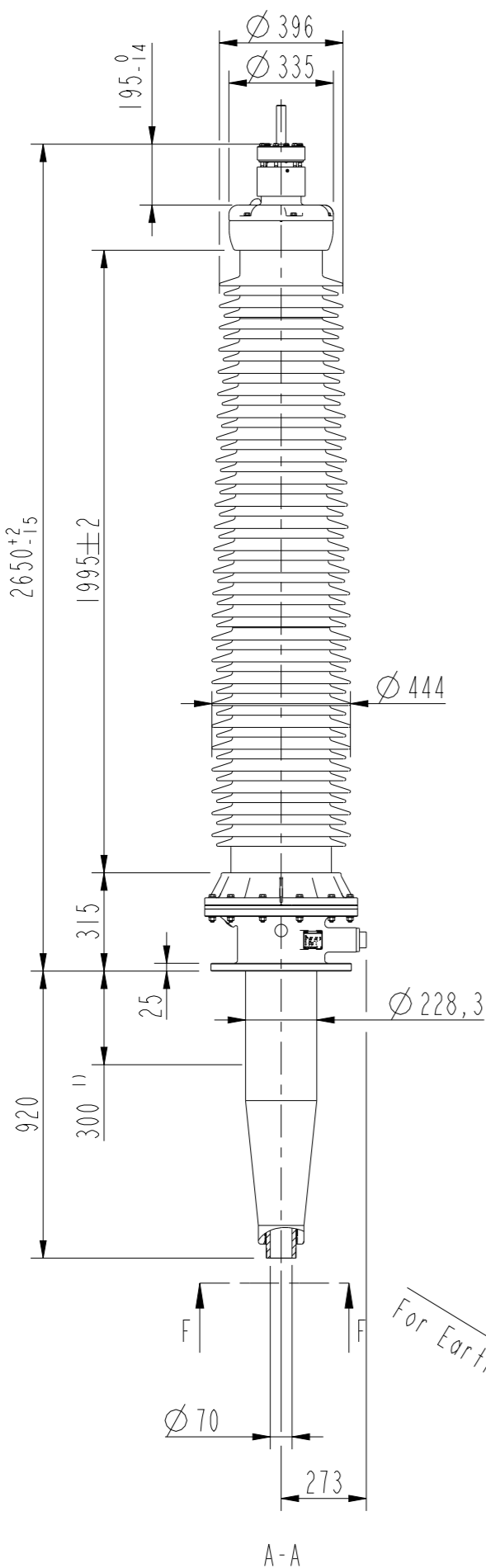


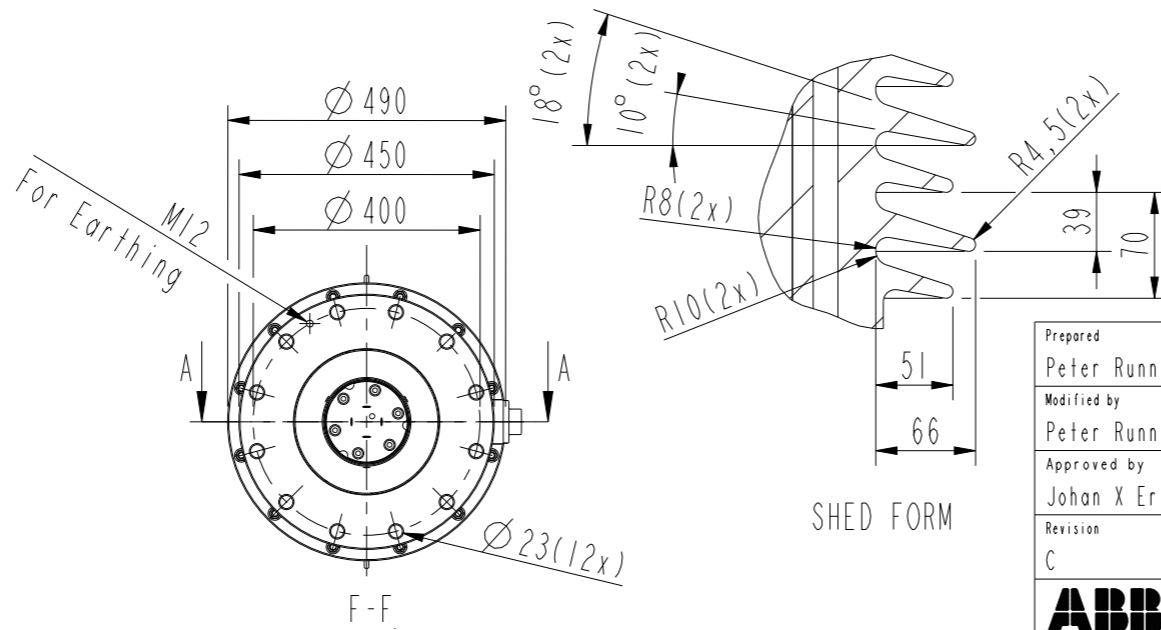
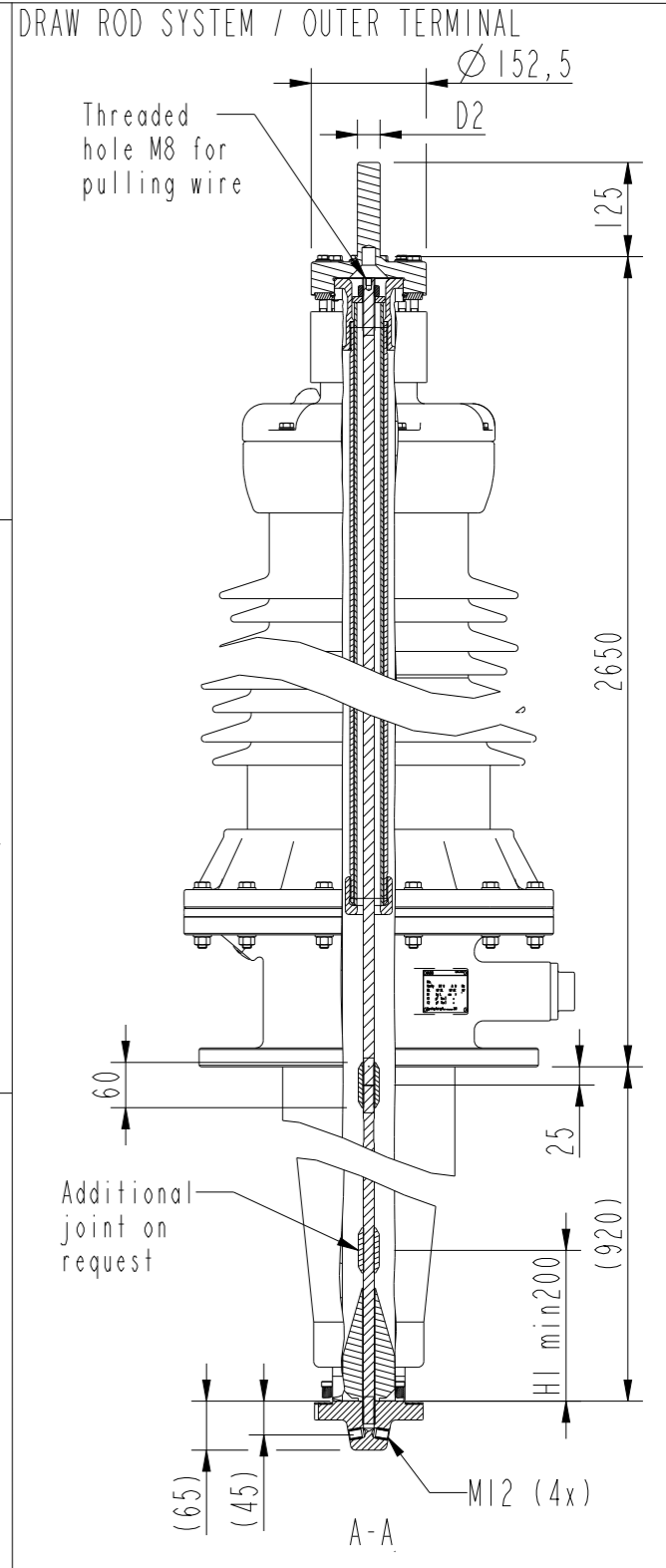
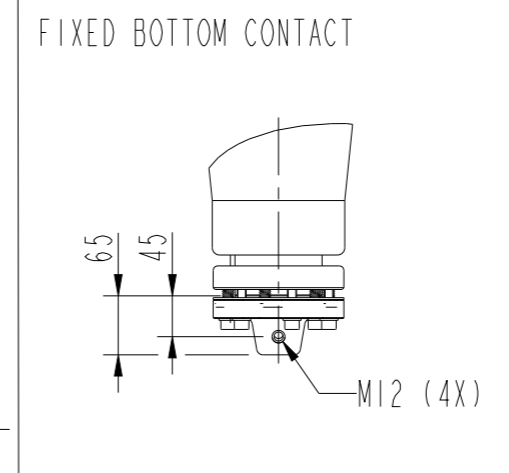
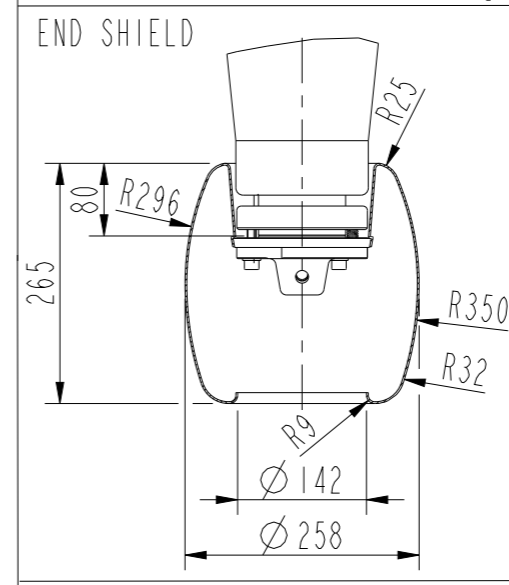
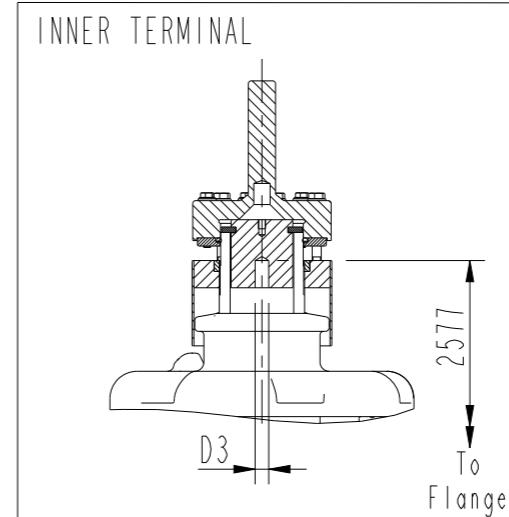
This document is issued by means of a computerized system. The digitally stored original is electronically approved. The approved document has a date entered in the 'Approved'-field. A manual signature is not required.

The information contained in this document has to be kept strictly confidential. Any unauthorized use, reproduction, distribution or disclosure to third parties are strictly forbidden. ABB reserves all rights regarding Intellectual Property Rights. © Copyright 2013 ABB. All rights reserved.



Bushing Data:		
Rated Voltage	245	kV
Phase-to-earth Voltage	146	kV
Dry Lightning Impulse 1,2/50µs	1050	kV
Dry Switching Impulse	850	kV
Wet Power Frequency AC	460	kV
Routine test 1min dry 50Hz	506	kV
Rated Current	2000	A
Creepage Distance, nominal	7022	mm
Creepage Distance, minimum	6740	mm
Temperature class acc. to IEC60137	3	
Mass, Bushing	480	kg

Ordering Data:		
BUSHING		AIR INSULATOR COLOUR/TYPE
IZSC901245 -AAA	Test tap	Brown/Porcelain
IZSC901245 -ABA	Voltage tap 6kV	Brown/Porcelain
IZSC901245 -BAA	Test tap	Light grey/Porcelain
IZSC901245 -BBA	Voltage tap 6kV	Light grey/Porcelain
OUTER TERMINAL	MATERIAL	D2 (mm)
IZSC999001-AAA	Al	30
IZSC999001-AAB	Al	60
IZSC999001-AAC	Cu	30
IZSC999001-AAD	Cu	40
DRAW ROD SYSTEM		
IZSC999006	Lower draw rod	
IZSC999007	Upper draw rod	
INNER TERMINAL		D3 (mm)
IZSC999005-AAA		15
IZSC999005-AAB		30
IZSC999005-AAC		40
IZSC999005-AAD		42
FIXED BOTTOM CONTACT		
IZSC999002-AAE		
END SHIELD		Epoxy insulated
IZSC999003-AEA		



1) Maximum length of CT

Prepared	Peter Runnholm	2013-02-01	Responsible department	PPCO/BK	Title	GSB 245/2000/0,3	
Modified by	Peter Runnholm	2015-09-02	Take over department				
Approved by	Johan X Eriksson	2015-09-02	Used in product				
Revision	C SI dry added, SI wet removed, Temp. class added				Order		Language
						Document no.	2751377-1
							Sheet no.
							82
							No. Shis.
							(1)

