
US CATALOG

ProLine

Panelboard and breakers

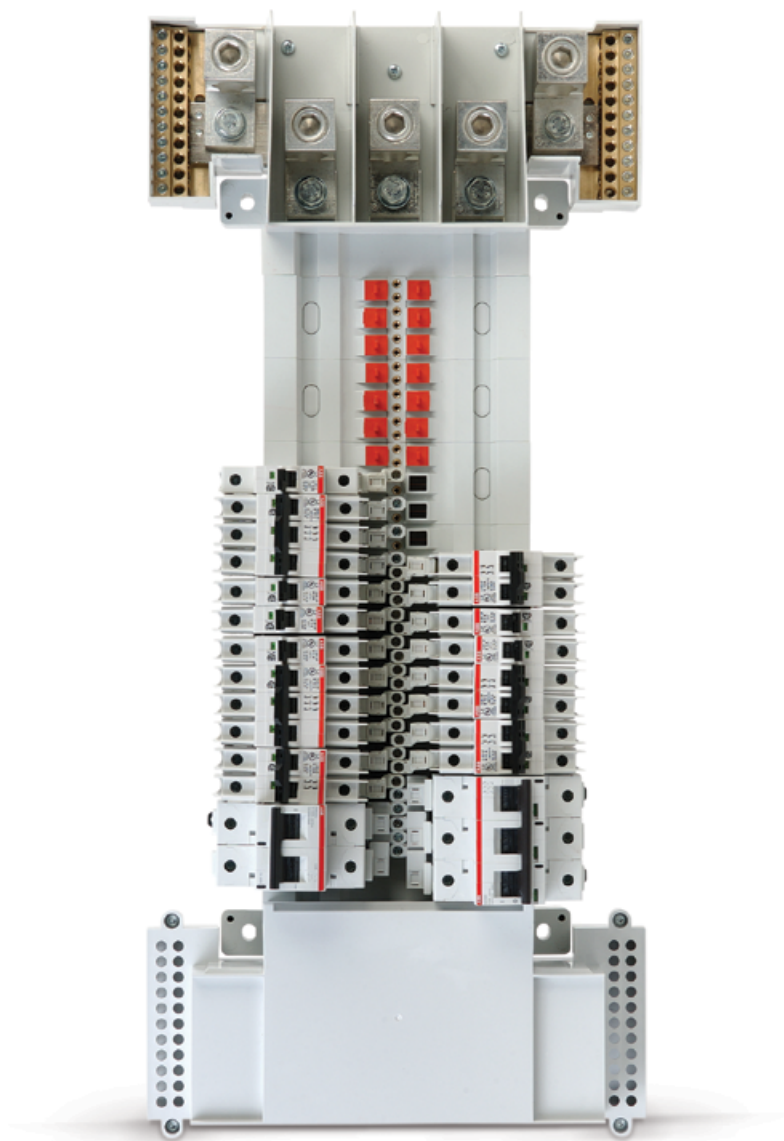
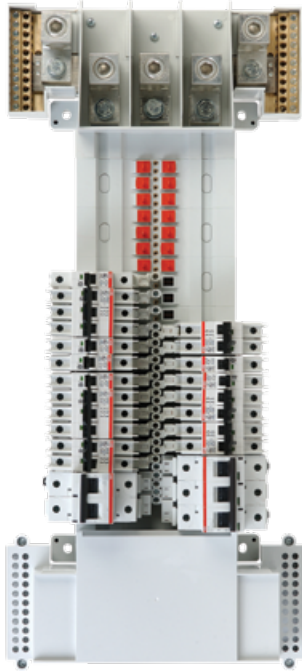


Table of contents

04	Description and features
07	Catalog number guide and panelboard configurator
08	ProLine breakers
10	Accessories
12	Approximate dimensions
16	Technical specifications
17	Series UL ratings
19	Coordination (discrimination) IEC ratings
20	Breaker placement guide

ProLine panelboard and breakers description

The ProLine panelboard is the electrical industry's first current-limiting, touch-safe and fully coordinated UL 67 panelboard.



Electrical

- UL File #E499134 (old file #E313800)
- UL 67
- 225 A, 250 A and 400 A
- 12, 24, 42, 84 circuits¹
- Up to 240 V and 480Y/277 V AC
- 35 kAIC series rating (240 V)
- 14 kAIC series rating (277/480 V)
- Single- or double-ended incoming fully rated feed-through lugs
- 1 A to 100 A branch breakers
- Fully rated sub-fed lugs or breaker
- K trip curve breakers
- N1 enclosure

Features

- Breakers UL current-limiting
- Fully coordinated
- Touch-safe
- Pluggable breaker with non-energized bolt-on screw

The ProLine circuit breaker is the industry's first UL listed current-limiting breaker to be used in a panelboard application.



Electrical

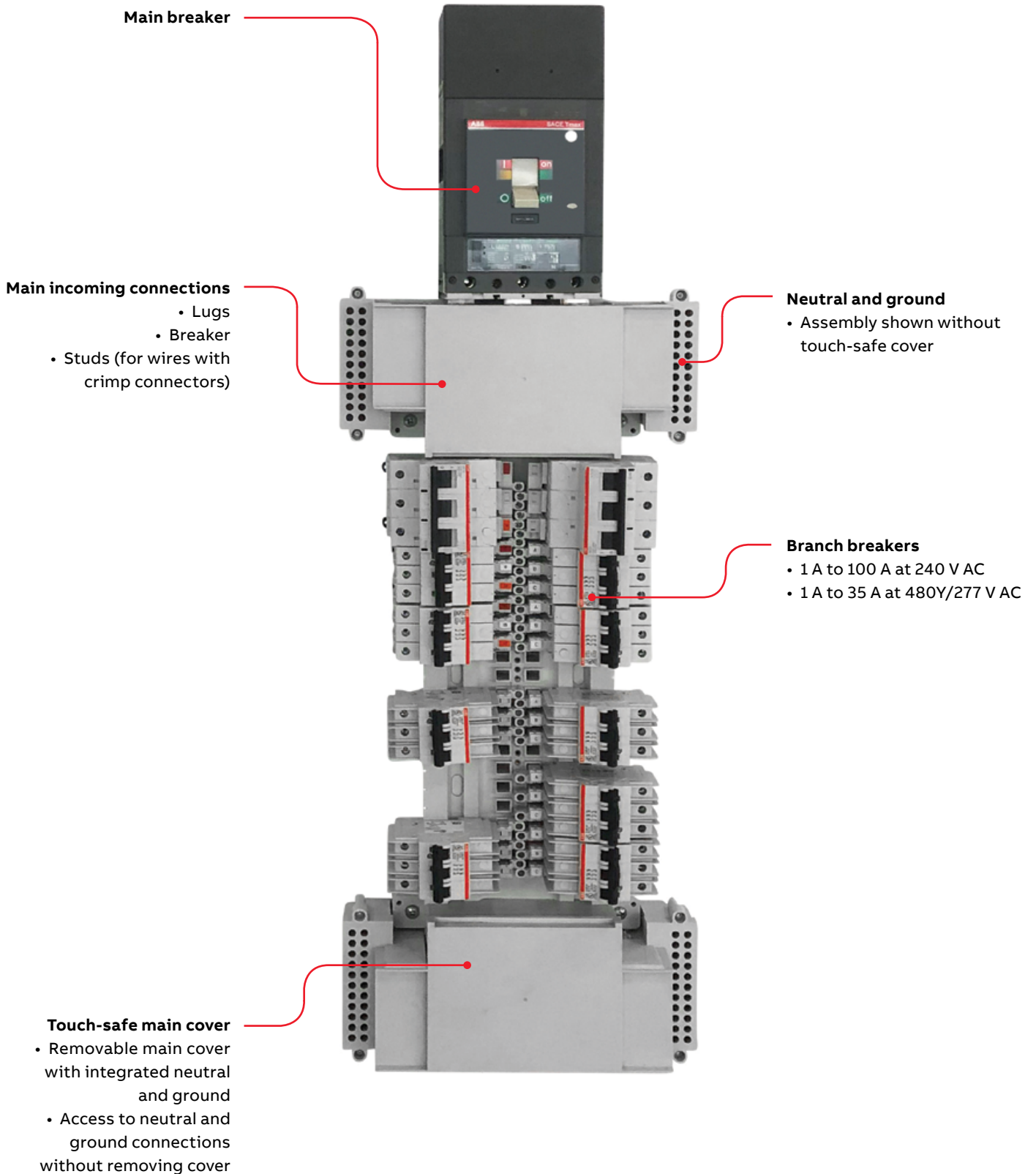
- Current-limiting according to UL 489
- Up to 240 V and 480Y/277 V AC
- 10 kAIC with main lug
- 35 kAIC series rating with T5 main
- K or Z curve
- 1 A to 100 A

Features

- Contact position window
- Independent thermal magnetic trip units
- Pluggable breaker with non-energized bolt-on screw

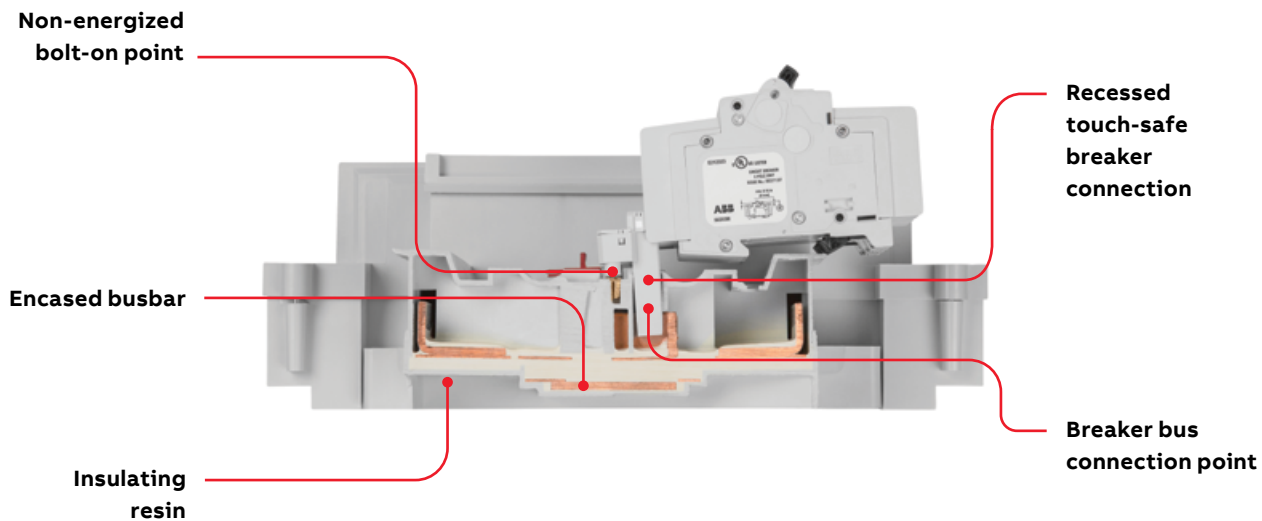
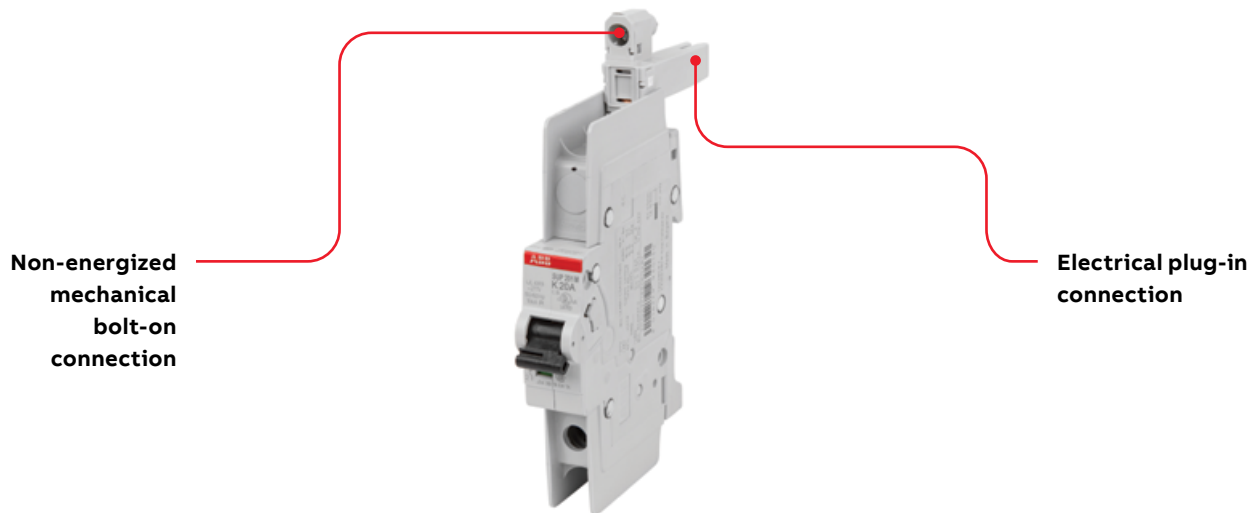
¹84-circuit is available as a single-ended, stand-alone, non-enclosed version only. Bus capacity is maximum 400 A. Please contact Tech Support for assistance.

Panelboard features



Breaker features

Pluggable with non-energized bolt-on connection



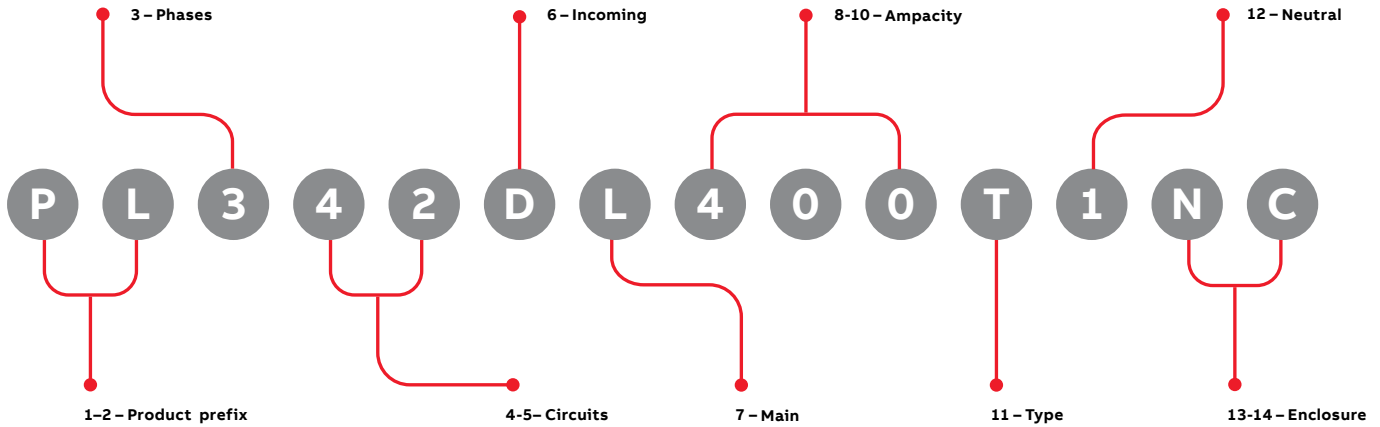
Stable busbar design for high withstand ratings

- Busbar designed with more surface area than typical panelboard busbar
- Busbar encased in resin to aid stabilization in case of a fault

Catalog number guide and panelboard configurator

Proline order code explanation

A complete Proline part number consists of 14 characters.
All characters shown are mandatory.



Mandatory characters

1-2 - Product prefix	4-5 - Circuits	7 - Main	12 - Neutral
Code	Code	Code	Code
Proline (P L)	12 circuits ¹ (1 2)	Breaker (B)	100% (1)
	24 circuits (2 4)	Lugs (L)	200% (2)
	42 circuits (4 2)	Studs (S)	
	84 Circuits ² (8 4)		
3 - Phases	6 - Incoming	8-10 - Ampacity	13-14 - Enclosure
Code	Code	Code	Code
Three-phase (3)	Single (S)	225 Amps (2 2 5)	Open (N C)
	Double (D)	400 Amps (4 0 0)	N1 enclosed (N 1)
		11 - Type	
		Code	
		Touch-safe (T)	

¹12-circuit version not available with double incoming.

²84-circuit is available as a single-ended stand-alone, non-enclosed version only. Bus capacity is maximum 400 A. Please contact Tech Support for assistance.

ProLine breakers 120, 208, 240 V AC

PL700, K curve



PLU701M



PLU703M



PLU702M-K60L



PLU703M-K100R

120/208/240 V AC

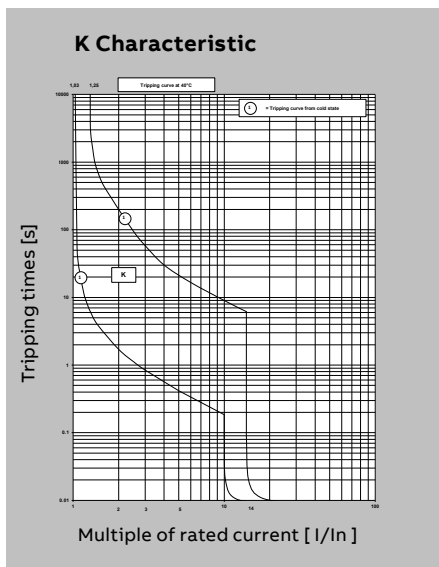
Rated current (A)	K curve, 1-pole		K curve, 2-pole		K curve, 3-pole	
	Catalog number	Rated current (A)	Catalog number	Rated current (A)	Catalog number	Rated current (A)
1	PLU701M-K1	1	PLU702M-K1	1	PLU703M-K1	1
2	PLU701M-K2	2	PLU702M-K2	2	PLU703M-K2	2
3	PLU701M-K3	3	PLU702M-K3	3	PLU703M-K3	3
4	PLU701M-K4	4	PLU702M-K4	4	PLU703M-K4	4
5	PLU701M-K5	5	PLU702M-K5	5	PLU703M-K5	5
6	PLU701M-K6	6	PLU702M-K6	6	PLU703M-K6	6
7	PLU701M-K7	7	PLU702M-K7	7	PLU703M-K7	7
8	PLU701M-K8	8	PLU702M-K8	8	PLU703M-K8	8
10	PLU701M-K10	10	PLU702M-K10	10	PLU703M-K10	10
13	PLU701M-K13	13	PLU702M-K13	13	PLU703M-K13	13
15	PLU701M-K15	15	PLU702M-K15	15	PLU703M-K15	15
16	PLU701M-K16	16	PLU702M-K16	16	PLU703M-K16	16
20	PLU701M-K20	20	PLU702M-K20	20	PLU703M-K20	20
25	PLU701M-K25	25	PLU702M-K25	25	PLU703M-K25	25
30	PLU701M-K30	30	PLU702M-K30	30	PLU703M-K30	30
32	PLU701M-K32	32	PLU702M-K32	32	PLU703M-K32	32
35	PLU701M-K35	35	PLU702M-K35	35	PLU703M-K35	35
40	PLU701M-K40	40	PLU702M-K40	40	PLU703M-K40	40
50	PLU701M-K50	50	PLU702M-K50	50	PLU703M-K50	50
25	PLU701M-K25L	25	PLU702M-K25L	25	PLU703M-K25L	25
30	PLU701M-K30L	30	PLU702M-K30L	30	PLU703M-K30L	30
40	PLU701M-K40L	40	PLU702M-K40L	40	PLU703M-K40L	40
50	PLU701M-K50L	50	PLU702M-K50L	50	PLU703M-K50L	50
60	PLU701M-K60L	60	PLU702M-K60L	60	PLU703M-K60L	60
70	PLU701M-K70L	70	PLU702M-K70L	70	PLU703M-K70L	70
25	PLU701M-K25R	25	PLU702M-K25R	25	PLU703M-K25R	25
30	PLU701M-K30R	30	PLU702M-K30R	30	PLU703M-K30R	30
40	PLU701M-K40R	40	PLU702M-K40R	40	PLU703M-K40R	40
50	PLU701M-K50R	50	PLU702M-K50R	50	PLU703M-K50R	50
60	PLU701M-K60R	60	PLU702M-K60R	60	PLU703M-K60R	60
70	PLU701M-K70R	70	PLU702M-K70R	70	PLU703M-K70R	70
80	PLU701M-K80R	80	PLU702M-K80R	80	PLU703M-K80R	80
90	PLU701M-K90R	90	PLU702M-K90R	90	PLU703M-K90R	90
100	PLU701M-K100R	100	PLU702M-K100R	100	PLU703M-K100R	100

Proline breakers 277/480Y V AC, UL 489

PL700, K curve

480Y/277 V AC

K curve, 1-pole		K curve, 2-pole		K curve, 3-pole	
Rated current (A)	Catalog number	Rated current (A)	Catalog number	Rated current (A)	Catalog number
1	PLU701M-K1	1	PLU702M-K1	1	PLU703M-K1
2	PLU701M-K2	2	PLU702M-K2	2	PLU703M-K2
3	PLU701M-K3	3	PLU702M-K3	3	PLU703M-K3
4	PLU701M-K4	4	PLU702M-K4	4	PLU703M-K4
5	PLU701M-K5	5	PLU702M-K5	5	PLU703M-K5
6	PLU701M-K6	6	PLU702M-K6	6	PLU703M-K6
7	PLU701M-K7	7	PLU702M-K7	7	PLU703M-K7
8	PLU701M-K8	8	PLU702M-K8	8	PLU703M-K8
10	PLU701M-K10	10	PLU702M-K10	10	PLU703M-K10
13	PLU701M-K13	13	PLU702M-K13	13	PLU703M-K13
15	PLU701M-K15	15	PLU702M-K15	15	PLU703M-K15
16	PLU701M-K16	16	PLU702M-K16	16	PLU703M-K16
20	PLU701M-K20	20	PLU702M-K20	20	PLU703M-K20
25	PLU701M-K25	25	PLU702M-K25	25	PLU703M-K25
30	PLU701M-K30	30	PLU702M-K30	30	PLU703M-K30
32	PLU701M-K32	32	PLU702M-K32	32	PLU703M-K32
35	PLU701M-K35	35	PLU702M-K35	35	PLU703M-K35



Trip curve K

- UL 489
- K curve
- Curve allows for loads with higher inrush current during system start-up

Notes:

- PL70XU-R and L have different dimensions (see dimension drawings)
- PL70XU-R 80 A/90 A/100 A
 - Have double stab adapters
 - Are available as R only

Accessories — panelboard



PLBUSCVR

Panelboard chassis hole bus cover

Description	Catalog number
Bus cover (Binky) to cover stab adapter circuit holes on panelboard	PLBUSCVR

Neutral/ground assembly

Description	Catalog number
Neutral bar assembly (100%), 42-circuit, 400 A	PLN42400S
Neutral bar assembly (200%), 42-circuit, 400 A	PLN42400S2
Ground bar assembly, 42-circuit, 400 A	PLG42400S
Neutral bar assembly (100%), 42-circuit, 225 A	PLN42225S
Neutral bar assembly, (200%), 42-circuit, 225 A	PLN42225S2
Ground bar assembly, 42-circuit, 225 A	PLG42225S
Neutral bar assembly (100%), 24-circuit, 400 A	PLN24400S
Neutral bar assembly (200%), 24-circuit, 400 A	PLN24400S2
Ground bar assembly, 24-circuit, 400 A	PLG24400S
Neutral bar assembly (100%), 24-circuit, 225 A	PLN24225S
Neutral bar assembly (200%), 24-circuit, 225 A	PLN24225S2
Ground bar assembly, 24-circuit, 225 A	PLG24225S
Neutral bar assembly (100%), 12-circuit, 400 A	PLN12400S
Neutral bar assembly (200%), 12-circuit, 400 A	PLN12400S2
Ground bar assembly, 12-circuit, 400 A	PLG12400S
Neutral bar assembly (100%), 12-circuit, 225 A	PLN12225S
Neutral bar assembly (200%), 12-circuit, 225 A	PLN12225S2
Ground bar assembly, 12-circuit, 225 A	PLG12225S

Neutral/ground lugs

Description	Catalog number
ProLine, 12-circuit, 250 A, N/G lug	PLNG12250
ProLine, 24-circuit, 250 A, N/G lug	PLNG24250
ProLine, 42-circuit, 250 A, N/G lug	PLNG42250
ProLine, 12-circuit, 400 A, N/G lug	PLNG12400
ProLine, 24-circuit, 400 A, N/G lug	PLNG24400
ProLine, 42-circuit, 400 A, N/G lug	PLNG42400



PL350MECLUG

Main and sub-feed lugs

Lugs for incoming and outgoing connections

Description	Catalog number
225 A single 4/0 AWG to 350 MCM	PL350MECLUG
400 A single 4/0 AWG to 600 MCM	PL600MECLUG

Enclosure blank circuit covers

Covers for filling enclosure spaces not used by breakers

Description	Catalog number
ProLine PB filler plate for S200 MCBs	PLBLNKCVRS200
ProLine PB filler plate, hinged for S200 MCBs	PLBLNKCVRS200H
ProLine PB filler plate for S800 MCBs	PLBLNKCVRS800
ProLine PB filler plate, hinged for S800 MCBs	PLBLNKCVRS800H



PLMCVR

Main cover

Description	Catalog number
Main cover	PLMCVR

Main breaker conversion kit

Kit for converting panelboard from main lugs to main breaker includes:
Breaker, adapter, plates and bus connections

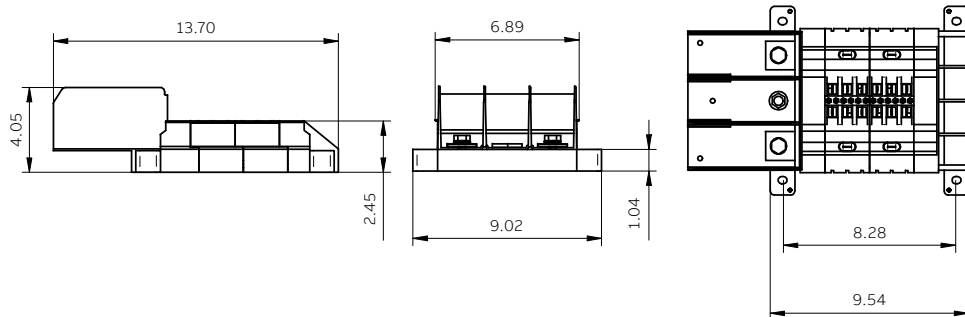
Description	Catalog number
150 A T5 main breaker, 3-phase, electronic trip	PLT5150CONV3P
400 A T5 main breaker, 3-phase	PLT5CONV3P

Approximate dimensions

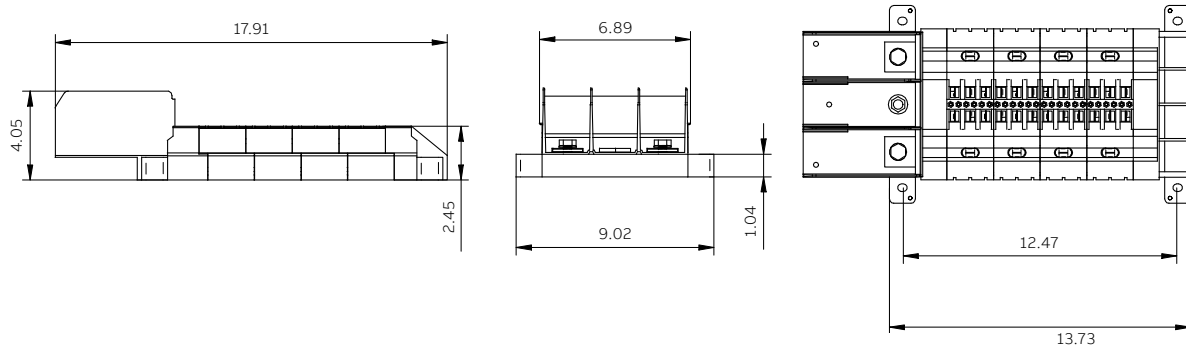
Panelboards single-ended

Dimensions in inches.

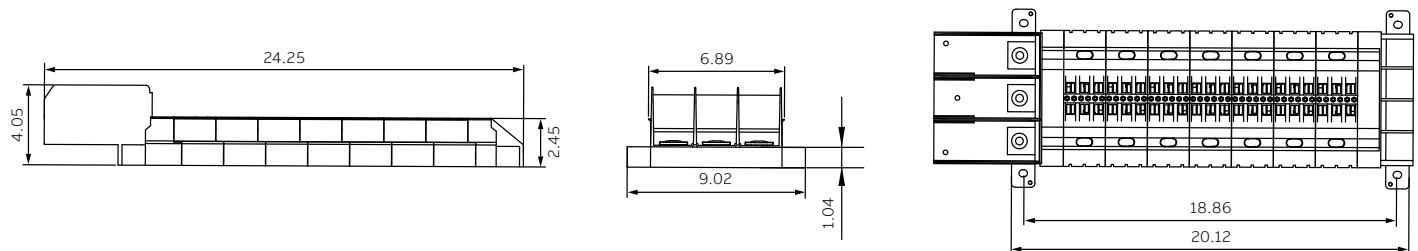
12-Circuit, single-ended



24-Circuit, single-ended



42-Circuit, single-ended

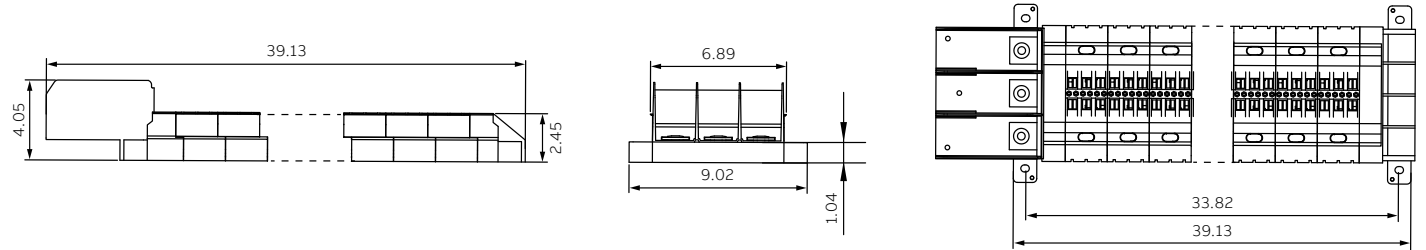


Approximate dimensions

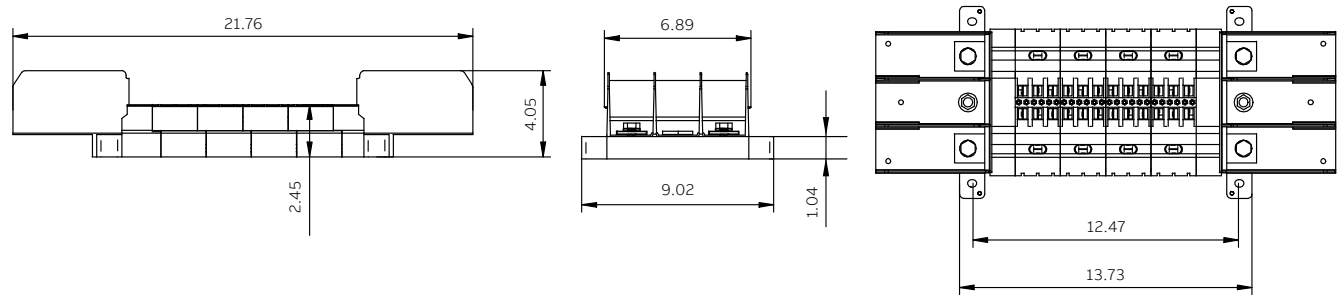
Panelboards single-ended and double-ended

Dimensions in inches.

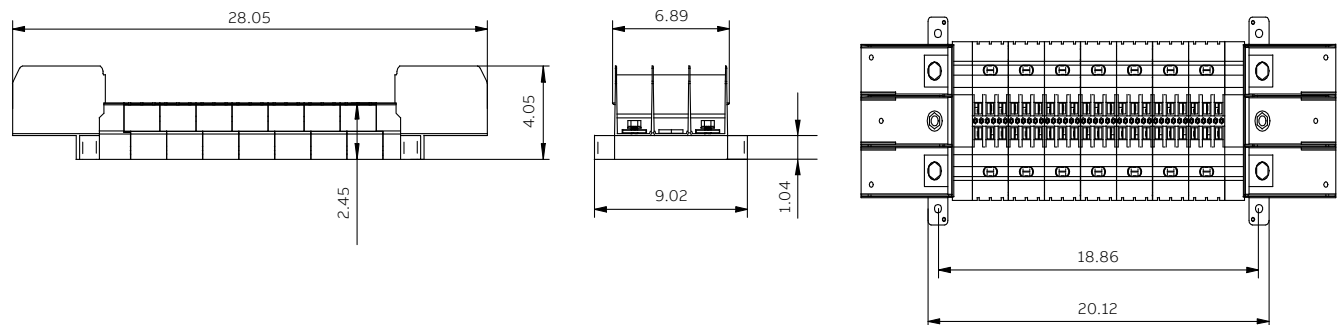
84-Circuit, single-ended



24-Circuit, double-ended



42-Circuit, double-ended

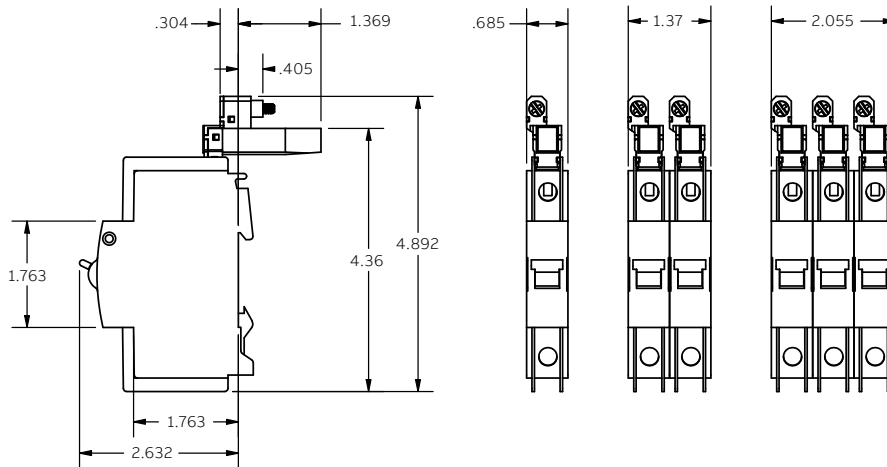


Approximate dimensions

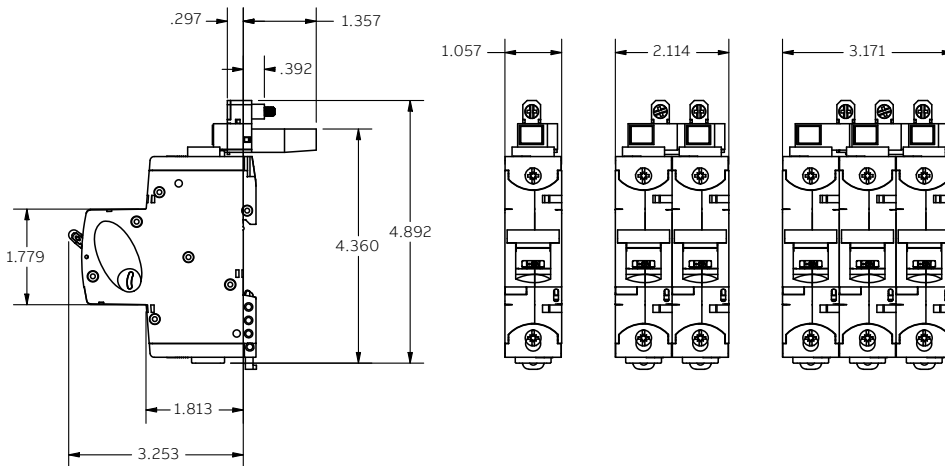
PL700 breakers

Dimensions in inches.

PLU700M 1 A-50 A



PLU700M 25 A L/R - 70 A L/R

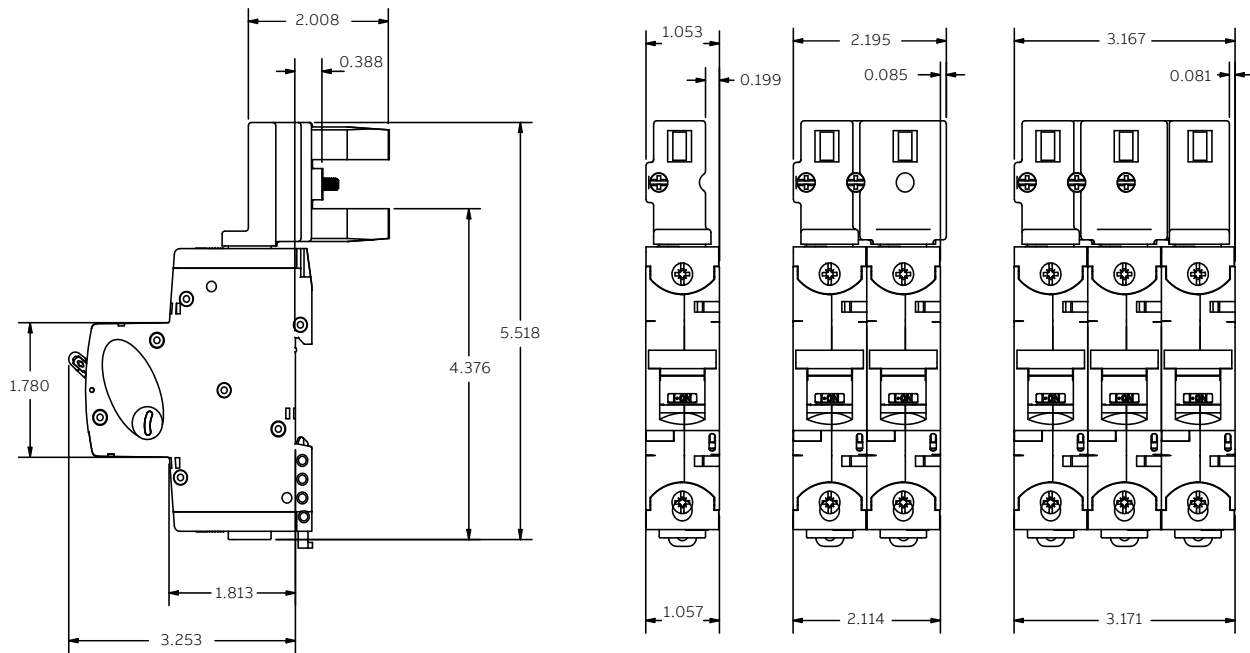


Approximate dimensions

PL700 breakers

Dimensions in inches.

**PLU700M
80 A - 100 A**



Technical specifications

PL700 breakers

Item	PLU700M	PLU700M	PL700-K (L) PL700-K (R)
UL ratings	489	489	489
Number of poles	1, 2, 3	1, 2, 3	1, 2, 3
Tripping characteristic	K	K	K
Rated currents	1 to 50 A	1 to 35 A	25 A to 70 A ¹ , 80 to 100 A ²
Minimum operating voltage	12 V	12 V	12 V
UL rated voltage and interrupting capacity			
Series rating	240 V AC; 35 kA with main breaker (1 to 20 A) 14 kA with main breaker (25 to 50 A, Single pole) 25 kA with main breaker (25 to 50 A, Multi-pole)	480Y/277 V AC; 14 kA with main breaker	240 V AC; 35 kA with main breaker
Stand alone	240 V AC;	480Y/277 V AC	240 V AC
Short-circuit current rating	14 kA (1 to 35 A) 10 kA (40 to 50 A)	14 kA	30 kA: Single pole 50 kA: Multi-pole
Frequency	50/60 Hz	50/60 Hz	50/60 Hz
Rated voltage	240 V AC	480Y/277 V AC	240 V AC
Protection category	IP 20	IP 20	IP 20
Main terminals			
Wire size	18–4 AWG/0.75–25 mm ²	18–16 AWG/13.3 in-lbs. 14–10 AWG/17.7 in-lbs. 8–4 AWG/39.8 in-lbs.	25–1 AWG
Torque	25 in-lbs/2.8 Nm	25 in-lbs/2.8 Nm	35 in-lbs./4 Nm
Tool	#2 Posidrive	#2 Posidrive	#2 Posidrive
Service life at rated load	6,000 operations 20,000 operations (Mechanical endurance)	6,000 operations 20,000 operations (Mechanical endurance)	6,000 operations —
Ambient temperatures			
Minimum	-25 °C -13 °F	-25 °C -13 °F	-25 °C -13 °F
Maximum	+55 °C 131 °F	+55 °C 131 °F	60 °C 140 °F
Storage temperatures			
Minimum	-40 °C -40 °F	-40 °C -40 °F	-40 °C -40 °F
Maximum	70 °C 158 °F	70 °C 158 °F	70 °C 158 °F
Shock resistance	25 g minimum of 2 impacts, shock duration of 13 ms	25 g minimum of 2 impacts, shock duration of 13 ms	—
Vibration resistance	5 g, 20 cycles, 5 Hz, 150 Hz at 0.8 In	5 g, 20 cycles, 5 Hz, 150 Hz at 0.8 In	—

¹ 60 A/70 A have different dimensions.

² 80 A/90 A/100 A available as "R" only and have double stab adapters.

Series UL ratings

ProLine breakers 120, 208, 240 V AC

Tmax XT3 - PLU700M at 240 V AC

	PLU700M Amps	Series rating 1P	Series rating 2P/3P
	1	35 kA	35 kA
	2	35 kA	35 kA
	3	35 kA	35 kA
	4	35 kA	35 kA
	5	35 kA	35 kA
	6	35 kA	35 kA
	7	35 kA	35 kA
XT3S 225 A Main breaker	8	35 kA	35 kA
	10	35 kA	35 kA
	13	35 kA	35 kA
PLU700M Branch K and Z curve	15	35 kA	35 kA
	16	35 kA	35 kA
	20	35 kA	35 kA
	25	14 kA	25 kA
	30	14 kA	25 kA
	32	14 kA	25 kA
	35	14 kA	25 kA
	40	14 kA	25 kA
	50	14 kA	25 kA

Tmax XT4 - PLU700M at 240 V AC

	PLU700M Amps	Series rating 1P	Series rating 2P/3P
	1	35 kA	35 kA
	2	35 kA	35 kA
	3	35 kA	35 kA
	4	35 kA	35 kA
	5	35 kA	35 kA
	6	35 kA	35 kA
	7	35 kA	35 kA
XT4S 250 A Main breaker	8	35 kA	35 kA
	10	35 kA	35 kA
	13	35 kA	35 kA
PLU700M Branch K and Z curve	15	35 kA	35 kA
	16	35 kA	35 kA
	20	35 kA	35 kA
	25	14 kA	25 kA
	30	14 kA	25 kA
	32	14 kA	25 kA
	35	14 kA	25 kA
	40	14 kA	25 kA
	50	14 kA	25 kA

Tmax XT3 - PLU700M L/R at 240 V AC

	PLU700M Amps	Series rating 1P	Series rating 2P/3P
	25	35 kA	35 kA
	30	35 kA	35 kA
XT3S 225 A Main breaker	40	35 kA	35 kA
	50	35 kA	35 kA
	60	35 kA	35 kA
PLU700M L/R Branch K curve"	70	35 kA	35 kA
	80	35 kA	35 kA
	90	35 kA	35 kA
	100	35 kA	35 kA

Tmax XT4 - PLU700M L/R at 240 V AC

	PLU700M Amps	Series rating 1P	Series rating 2P/3P
	25	35 kA	35 kA
	30	35 kA	35 kA
XT4S 250 A Main breaker	40	35 kA	35 kA
	50	35 kA	35 kA
	60	35 kA	35 kA
PLU700M L/R Branch K curve	70	35 kA	35 kA
	80	35 kA	35 kA
	90	35 kA	35 kA
	100	35 kA	35 kA

Tmax T5 - PLU700M at 240 V AC

	PLU700M Amps	Series rating 1P	Series rating 2P/3P
	1	35 kA	35 kA
	2	35 kA	35 kA
	3	35 kA	35 kA
	4	35 kA	35 kA
	5	35 kA	35 kA
	6	35 kA	35 kA
	7	35 kA	35 kA
T5N 400 A Main breaker	8	35 kA	35 kA
	10	35 kA	35 kA
	13	35 kA	35 kA
PLU700M Branch K and Z curve	15	35 kA	35 kA
	16	35 kA	35 kA
	20	35 kA	35 kA
	25	14 kA	25 kA
	30	14 kA	25 kA
	32	14 kA	25 kA
	35	14 kA	25 kA
	40	14 kA	25 kA
	50	14 kA	25 kA

Tmax T5 - PLU700M L/R at 240 V AC

	PLU700M Amps	Series rating 1P	Series rating 2P/3P
	25	35 kA	35 kA
	30	35 kA	35 kA
T5N 400 A Main breaker	40	35 kA	35 kA
	50	35 kA	35 kA
	60	35 kA	35 kA
PLU700M L/R Branch K curve	70	35 kA	35 kA
	80	35 kA	35 kA
	90	35 kA	35 kA
	100	35 kA	35 kA

Series UL ratings

480Y/277 V AC, UL 489

Tmax XT3 - PLU700M at 480Y/277 V AC

	PLU700M Amps	Series rating 1P	Series rating 2P/3P
	1	14 kA	14 kA
	2	14 kA	14 kA
	3	14 kA	14 kA
	4	14 kA	14 kA
	5	14 kA	14 kA
	6	14 kA	14 kA
XT3S 225 A Main breaker	7	14 kA	14 kA
	8	14 kA	14 kA
	10	14 kA	14 kA
PLU700M Branch K and Z curve	13	14 kA	14 kA
	15	14 kA	14 kA
	16	14 kA	14 kA
	20	14 kA	14 kA
	25	14 kA	14 kA
	30	14 kA	14 kA
	32	14 kA	14 kA
	35	14 kA	14 kA
XT3S 225 A Main breaker PLU700M Branch Z curve	40	14 kA	14 kA

Tmax T5 - PLU700M at 480Y/277 V AC

	PLU700M Amps	Series rating 1P	Series rating 2P/3P
	1	14 kA	14 kA
	2	14 kA	14 kA
	3	14 kA	14 kA
	4	14 kA	14 kA
	5	14 kA	14 kA
	6	14 kA	14 kA
T5N 400 A Main breaker	7	14 kA	14 kA
	8	14 kA	14 kA
	10	14 kA	14 kA
PLU700M Branch K and Z curve	13	14 kA	14 kA
	15	14 kA	14 kA
	16	14 kA	14 kA
	20	14 kA	14 kA
	25	14 kA	14 kA
	30	14 kA	14 kA
	32	14 kA	14 kA
	35	14 kA	14 kA
T5N 400 A Main breaker PLU700M Branch Z curve	40	14 kA	14 kA

Tmax XT4 - PLU700M at 480Y/277 V AC

	PLU700M Amps	Series rating 1P	Series rating 2P/3P
	1	14 kA	14 kA
	2	14 kA	14 kA
	3	14 kA	14 kA
	4	14 kA	14 kA
	5	14 kA	14 kA
	6	14 kA	14 kA
XT4S 250 A Main breaker	7	14 kA	14 kA
	8	14 kA	14 kA
	10	14 kA	14 kA
PLU700M Branch K and Z curve	13	14 kA	14 kA
	15	14 kA	14 kA
	16	14 kA	14 kA
	20	14 kA	14 kA
	25	14 kA	14 kA
	30	14 kA	14 kA
	32	14 kA	14 kA
	35	14 kA	14 kA
XT4S 250 A Main breaker PLU700M Branch Z curve	40	14 kA	14 kA

Main lug - PLU700M at 240 V AC

	PLU700M Amps	Series rating kA
	1	10
	2	10
	3	10
	4	10
	5	10
	6	10
	8	10
Main lug	10	10
	15	10
PLU700M branch K and Z curve	20	10
	25	10
	30	10
	40	10
	50	10
	60	10
	70	10
	80	10
	90	10
	100	10

Main lug - PLU700M at 480Y/277 V AC

	PLU700M Amps	Series rating kA
	1	10
	2	10
	3	10
	4	10
	5	10
Main lug	6	10
	8	10
PLU700M branch K and Z curve	10	10
	15	10
	20	10
	25	10
	30	10
	32	10
	35	10
PLU400M branch Z curve	40	10

Coordination (discrimination) IEC ratings

Tmax XT3 - PLU700M at 240 V AC

	PLU700M Amps	Coordination rating kA
	1	25
	2	25
	3	25
	4	25
	5	25
	6	25
	8	25
XT3S 225 A Main breaker	10	25
	15	25
	20	25
PLU700M branch K and Z curve	25	25
	30	25
	40	25
	50	25
	60	25
	70	25
	80	25
	90	25
	100	25

PLU700M at 240 V AC

	PLU700M Amps	Coordination rating kA
	1	25
	2	25
	3	25
	4	25
	5	25
	6	25
	8	25
T5N 400 A Main breaker	10	25
	15	25
	20	25
PLU400M branch K and Z curve	25	25
	30	25
	40	25
	50	25
	60	25
	70	25
	80	25
	90	25
	100	25

Tmax XT3 - PLU700M at 480Y/277 V AC

	PLU700M Amps	Coordination rating kA
	1	14
	2	14
	3	14
	4	14
	5	14
XT3S 225 A Main breaker	6	14
	8	14
	10	14
PLU700M branch K and Z curve	15	14
	20	14
	25	14
	30	14
	32	14
	35	14
PLU400M branch Z curve	40	14

Main lug - PLU700M at 240 V AC

	PLU700M Amps	Coordination rating kA
	1	10
	2	10
	3	10
	4	10
	5	10
	6	10
	8	10
Main lug	10	10
	15	10
PLU700M branch K and Z curve	20	10
	25	10
	30	10
	40	10
	50	10
	60	10
	70	10
	80	10
	90	10
	100	10

Main lug - PLU700M at 480Y/277 V AC

	PLU700M Amps	Coordination rating kA
	1	10
	2	10
	3	10
	4	10
	5	10
Main lug	6	10
	8	10
PLU700M branch K and Z curve	10	10
	15	10
	20	10
	25	10
	30	10
	32	10
	35	10
PLU400M branch Z curve	40	10

Breaker placement guide



PLU701M



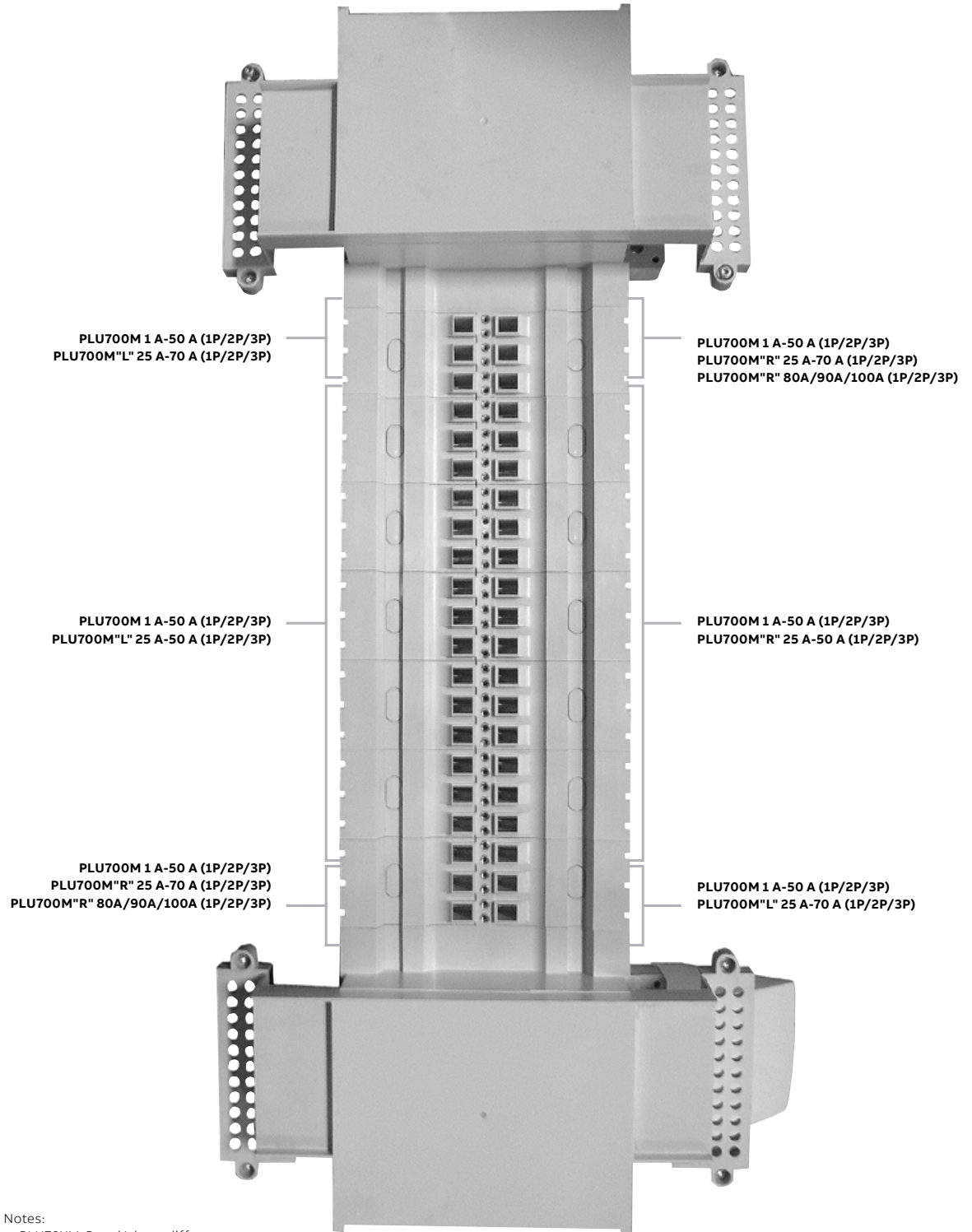
PLU703M



PLU702M-K60L



PLU703M-K100R



Notes:

- PLU70XM-R and L have different stab adapter position dimensions (see dimension drawings)
- PLU70XM-R 80 A/90 A/100 A
 - Have double stab adapters
 - Are available as R only

We reserve the right to make technical changes or modify the contents of this document without prior notice. With regard to purchase orders, the agreed particulars shall prevail. ABB Inc. does not accept any responsibility whatsoever for potential errors or possible lack of information in this document.

We reserve all rights in this document and in the subject matter and illustrations contained therein. Any reproduction or utilization of its contents – in whole or in parts – is forbidden without prior written consent of ABB Inc.

Copyright© 2022 ABB Inc.
All rights reserved



ABB Inc.

Electrification
860 Ridge Lake Blvd.
Memphis, TN 38120

[electrification.us.abb.com](https://www.electrification.us.abb.com)
[abb.com/lowvoltage](https://www.abb.com/lowvoltage)

Customer Service: 800-816-7809
7:00 a.m. - 5:30 p.m., CST, Monday-Friday
elec_custserv@us.abb.com

Technical Support: 888-385-1221, Option 1
7:00 a.m. - 5:00 p.m., CST, Monday-Friday
lvps.support@us.abb.com