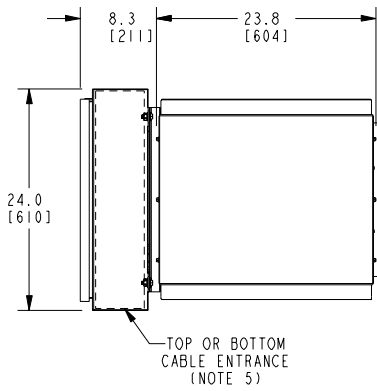
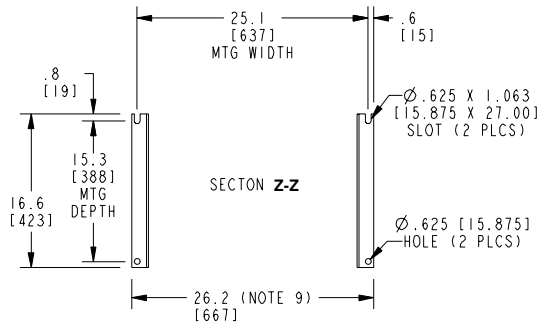


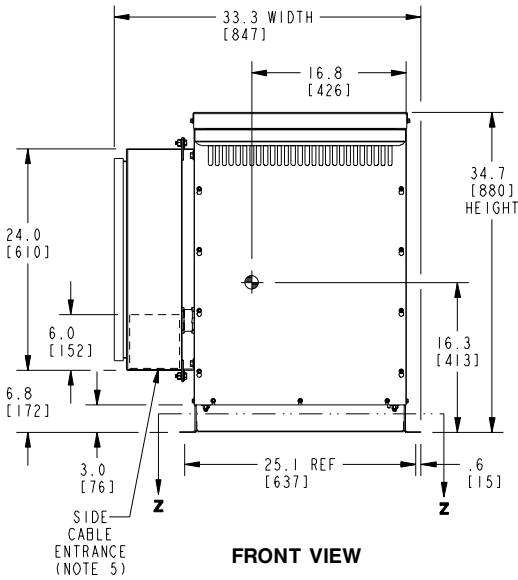
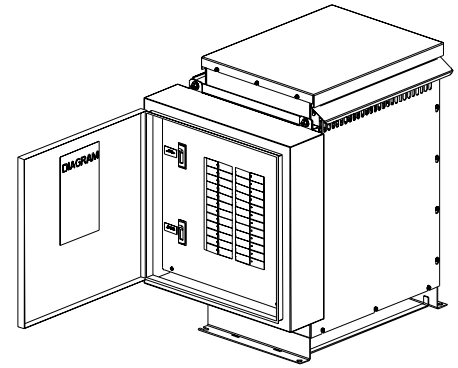
TOP VIEW



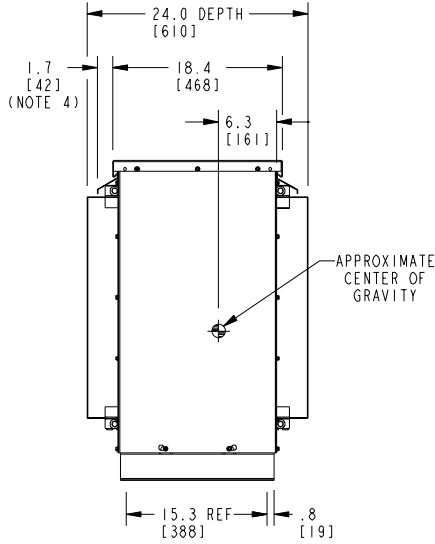
BOTTOM VIEW OF MOUNTING HOLE PATTERN



ISOMETRIC VIEW



FRONT VIEW



SIDE VIEW

APPROX TOTAL WEIGHT LBS [KG]

STAINLESS STEEL (AL): 468 [212]
STAINLESS STEEL (CU): 521 [224]

kVA RATING:
K-FACTOR:
PRI VOLTAGE:
SEC VOLTAGE:
FREQ (Hz):
TEMP RISE:
WINDING MATL:
ES SHIELD:
SOUND LVL (dB):

NOTES:

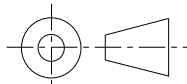
- 1) ALL UNITS ARE UL LISTED AND ARE DESIGNED PER NEMA ST-20 STANDARDS.
- 2) TRANSFORMER IS DESIGNED FOR FLOOR MOUNTING. OPTIONAL WALL MOUNTING BRACKETS ARE NOT AVAILABLE FOR THIS DESIGN/STYLE.
- 3) TRANSFORMER IS DRY TYPE, CLASS AA, WITH VENTILATED ENCLOSURE FOR INDOOR USE. OPTIONAL RAIN SHIELD KITS ARE INCLUDED TO CONVERT UNIT TO TYPE 3R OUTDOOR USE WITHOUT VOIDING THE WARRANTY.
- 4) APPLICABLE WHEN OPTIONAL RAIN SHIELDS ARE INSTALLED. RAIN SHIELDS ARE SHIPPED IN KITS FOR FIELD INSTALLATION.
- 5) CABLE ENTRANCE IS PERMITTED THROUGH THE TOP OR BOTTOM OF THE BREAKER BOX OR UP TO 4" [102 MM] FROM THE BOTTOM OF EITHER SIDE OF THE BOX ONLY. CABLE ENTRANCE IS NOT PERMITTED THROUGH THE FRONT OR REAR OF BREAKER BOX.
- 6) FOR LIFTING OTHER THAN WITH A FORK TRUCK, REMOVE TOP COVER AND USE 1" [25 MM] DIAMETER HOLES IN THE TOP CORE CLAMPS.
- 7) ENCLOSURE STAINLESS STEEL 316, FINISH #80 GRIT.
- 8) 6" [152 MM] MINIMUM CLEARANCE IS REQUIRED FROM ALL WALLS.
- 9) USE THIS DIMENSION WHEN PLANNING THE MOUNTING PAD.
- 10) CUSTOMER CABLE MUST BE RATED 75°C OR HIGHER AND MAY BE EITHER COPPER OR ALUMINUM.

JOB NAME:

UNLESS OTHERWISE SPECIFIED
ALL DIMENSIONS ARE INCH [MM]



THIRD ANGLE PROJECTION



**DRY TYPE TRANSFORMER OUTLINE DRAWING
TYPE QL, SERVICENTER, 3-PHASE, DOE 2016 EFFICIENCY
(STAINLESS STEEL ENCLOSED UNIT)**

electrification.us.abb.com

CAD DRAWING: 303B424SSP030

SHEET 1 OF 1

CATALOG #

REV **3**