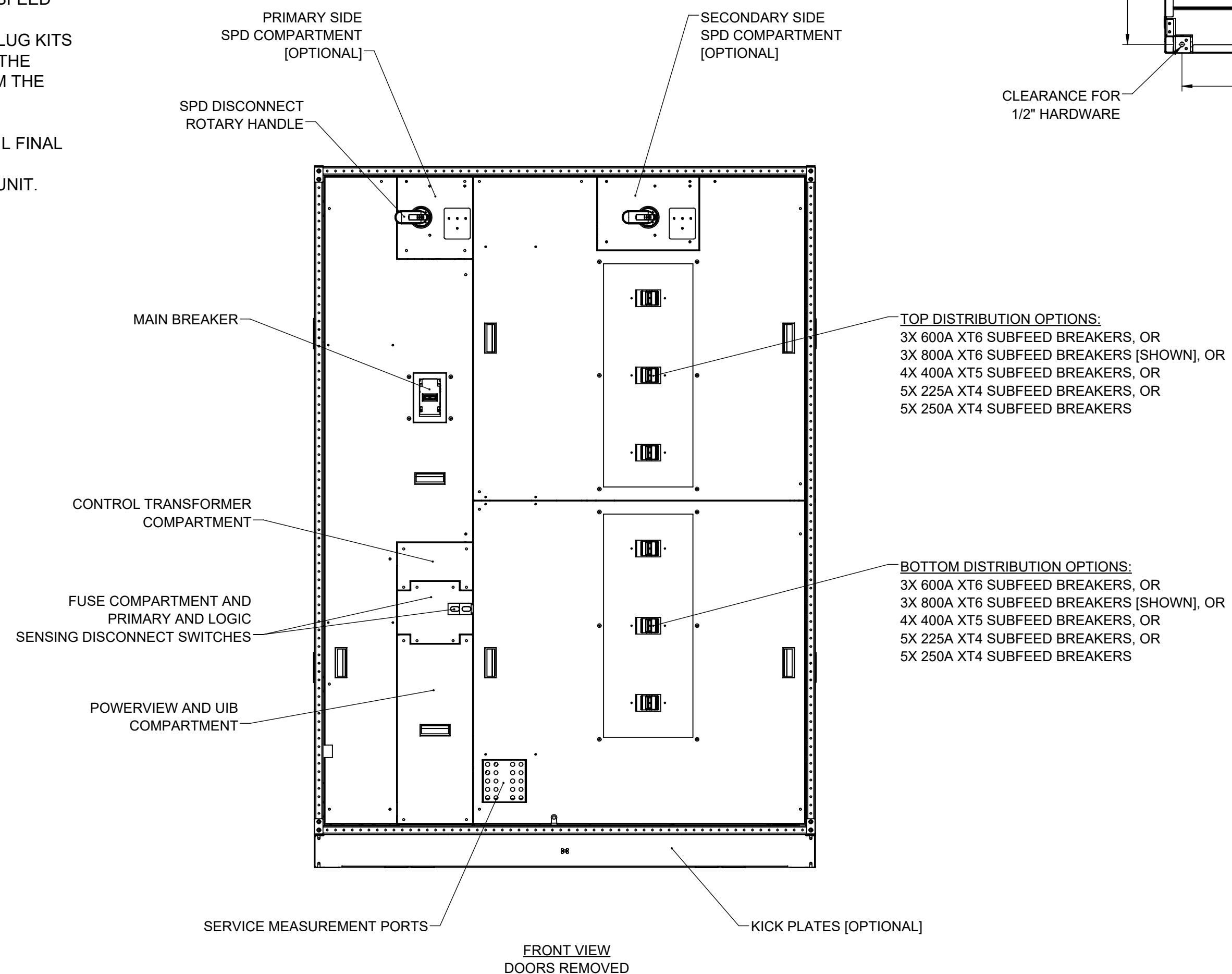
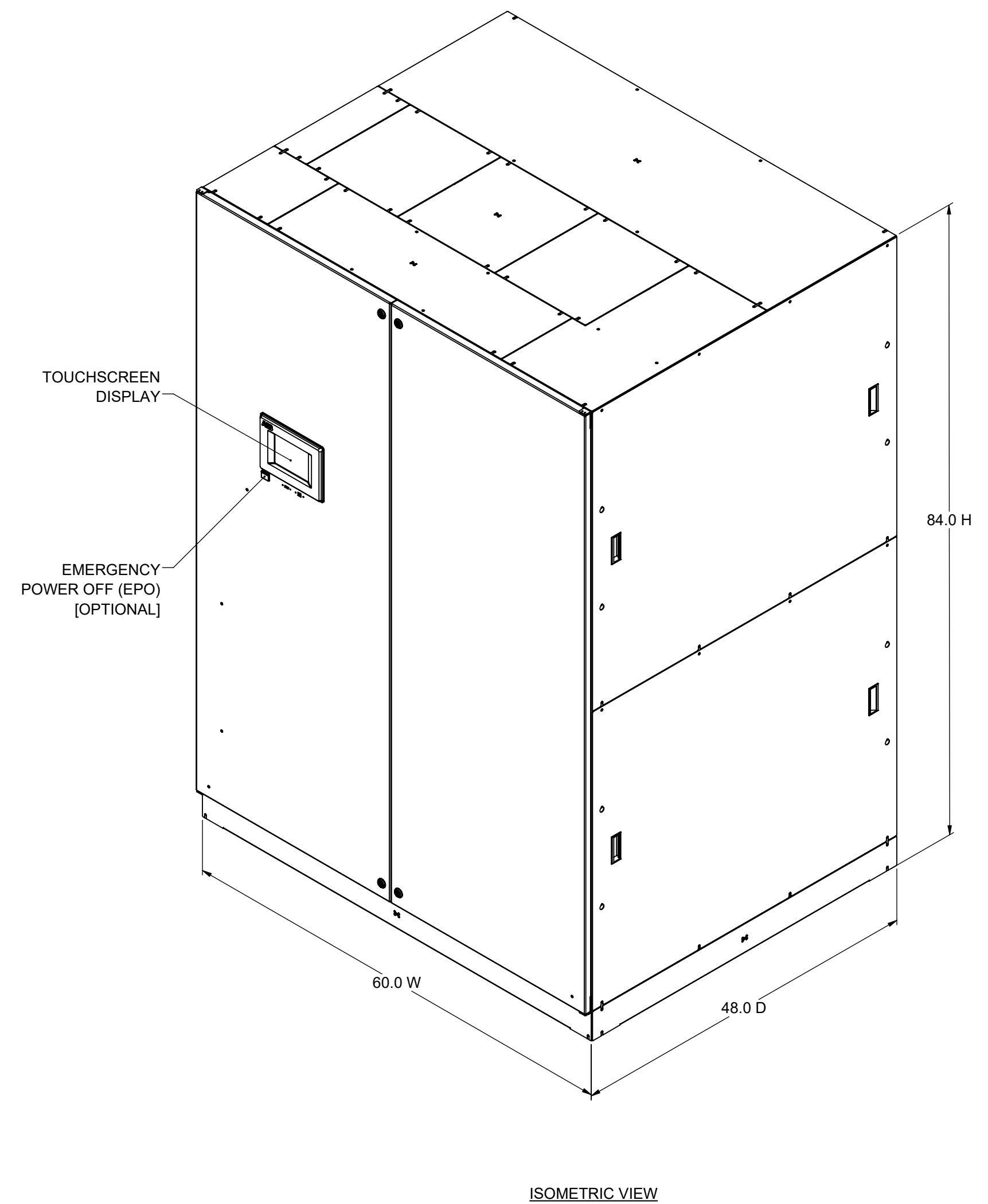
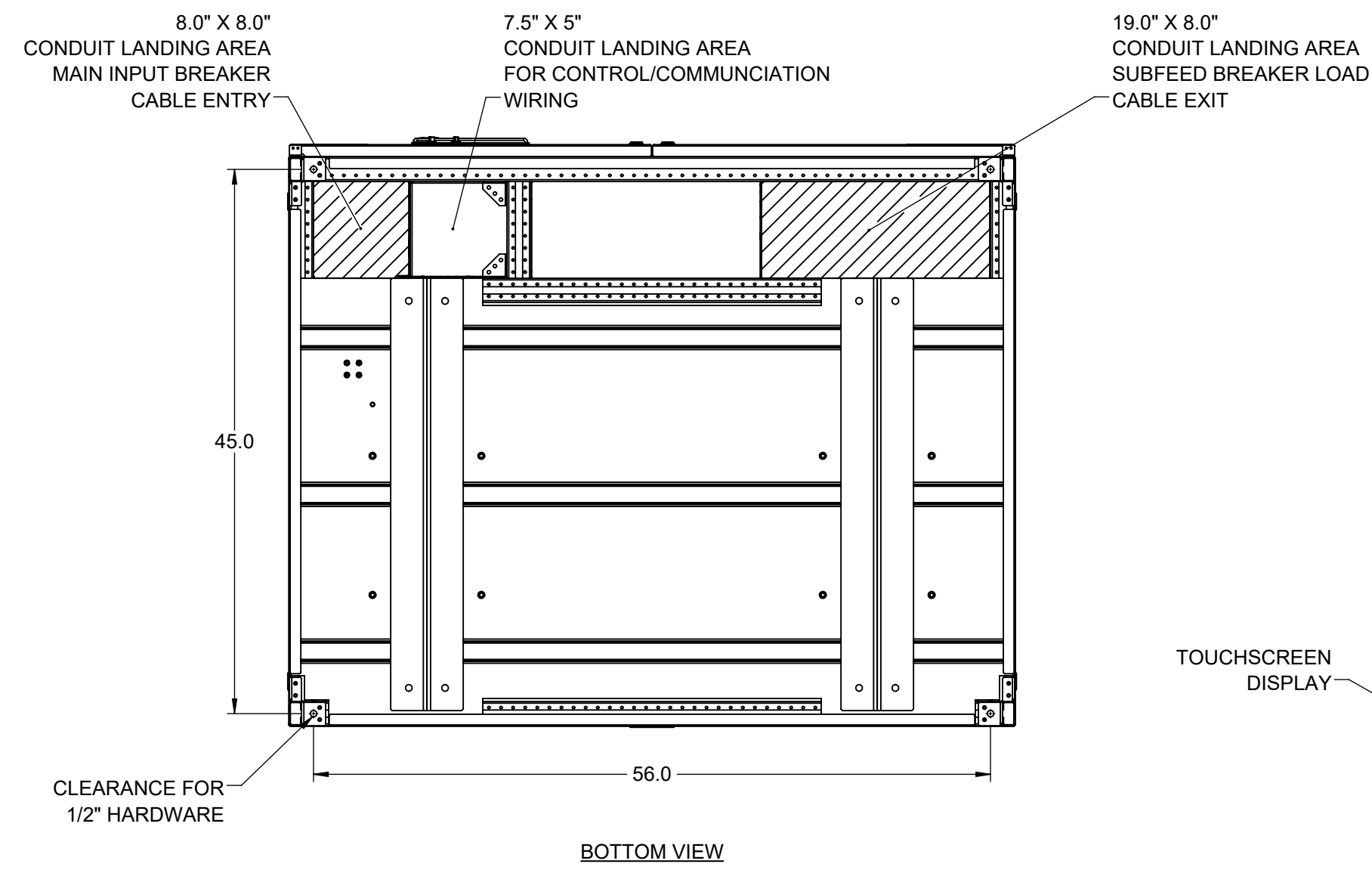
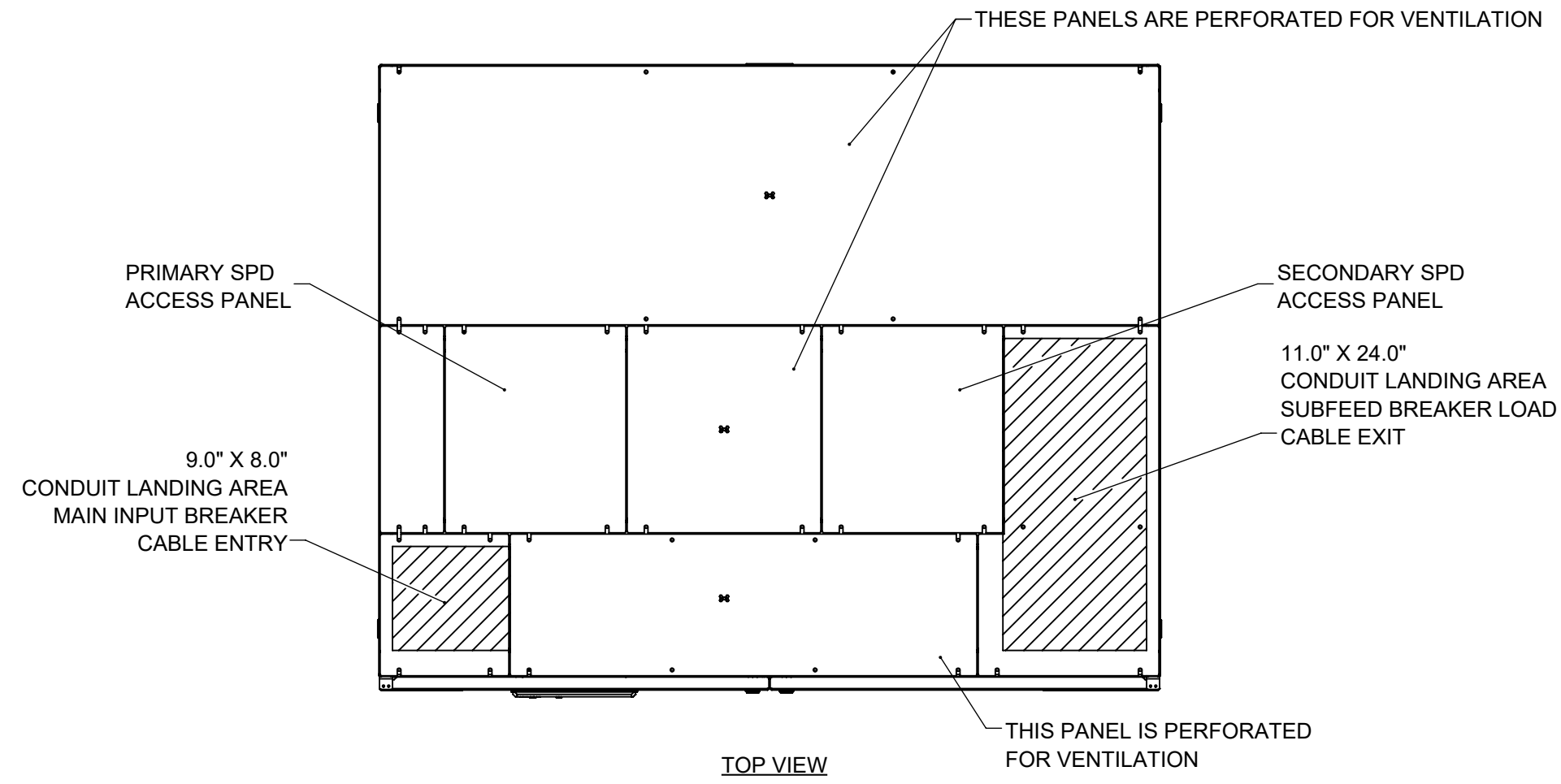
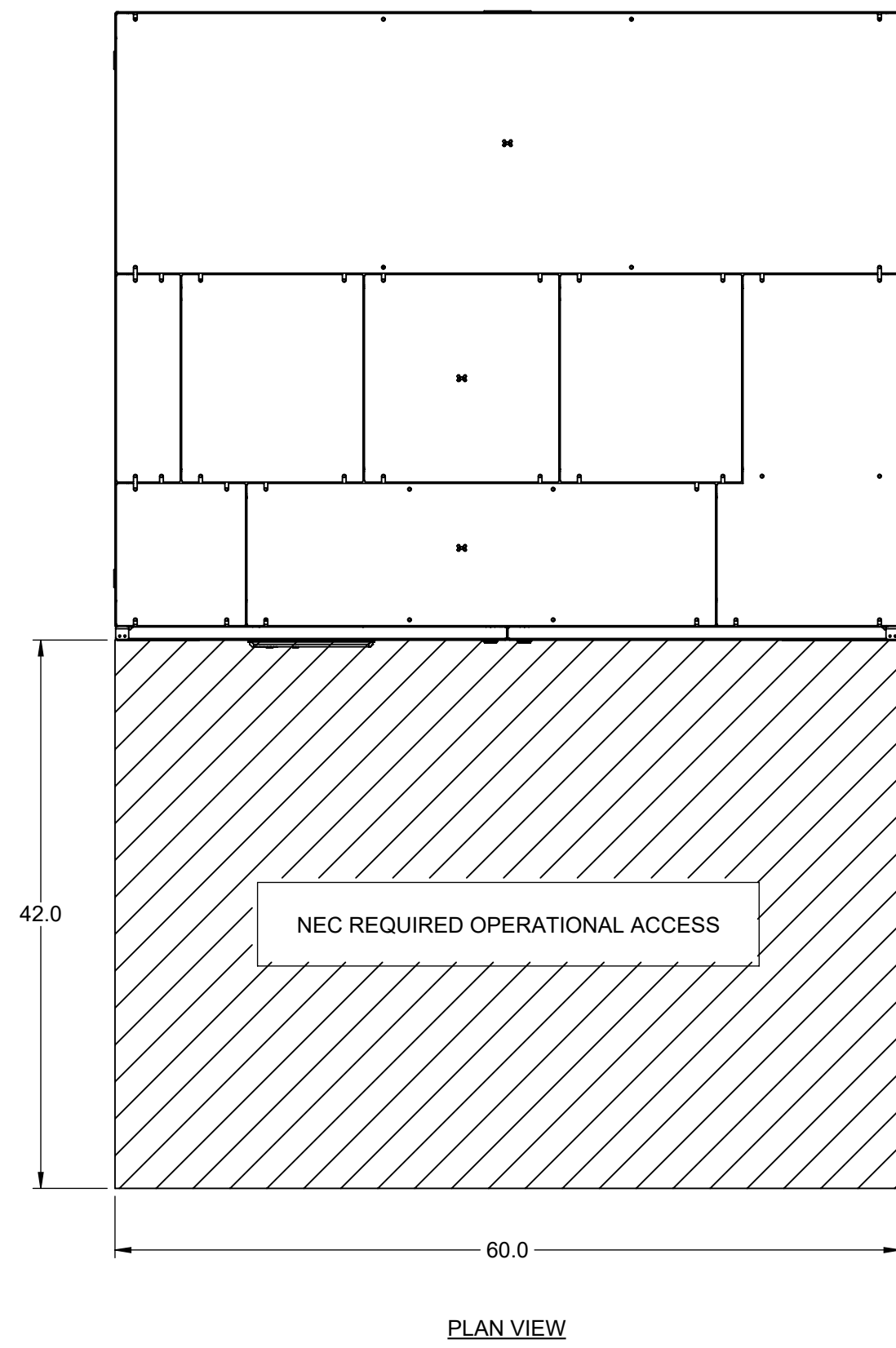


We reserve all rights in this document and in the information contained therein. Reproduction, use or disclosure to third parties without express authority is strictly forbidden. © Copyright 2014 ABB.

NOTES:

1. INSTALLATION SHALL COMPLY WITH ALL APPLICABLE NATIONAL, STATE, AND LOCAL CODES.
2. REFER TO PRODUCT DOCUMENTATION FOR ADDITIONAL DETAILS PRIOR TO SITE PREPARATION OR INSTALLATION.
3. OPERATING TEMPERATURE RANGE: 0° TO 40°C (32°F TO 104°F).
4. SYSTEM COOLING REQUIREMENTS: NATURAL CONVECTION.
5. SYSTEM WEIGHT: 5500 LBS (2495 kg)
6. OPERATIONAL ACCESS VIA FRONT DOORS. MAINTENANCE AND CONNECTION ACCESS VIA FRONT DOORS AND REMOVEABLE SIDE PANELS (DEPENDING ON ACCESS - SEE NOTE 7).
7. RECOMMENDED MINIMUM CLEARANCES:
 FRONT = 42"
 TOP = 36"
 REAR = 0"
8. SYSTEM MUST HAVE ALL PANELS AND DOORS INSTALLED FOR PROPER OPERATION.
9. FINISH: FRAME AND OUTER PANELS, POWDER COAT INTERIOR, GALVANIZED ZINC ELECTROPLATE.
10. CABLE ENTRY/EXIT: TOP OR BOTTOM
11. INPUT: BUSBAR TERMINALS FURNISHED WITH NEMA 2-HOLE LANDINGS. SEE SHEET 2 FOR DETAILS
 OUTPUT: SUBFEED CIRCUIT BREAKER LUGS NOT PROVIDED. REFER TO INSTALLATION GUIDE FOR AVAILABLE LUGS. NEUTRAL AND GROUND BUSBAR TERMINALS FURNISHED WITH NEMA 2-HOLE LANDINGS. SEE SHEET 2 FOR DETAILS.
12. INPUT CABLE SIZE AND QUANTITY:
 PDU INPUT BUSBAR IS DESIGNED FOR Cu OR Al CABLE SIZES UP TO 3 X 700 MCM PER PHASE.
 PDU INPUT GROUND BUSBAR IS DESIGNED FOR Cu OR Al CABLE SIZES UP TO 3 X 3/0.
13. OUTPUT CABLE SIZE AND QUANTITY:
 PDU OUTPUT GROUND BUSBAR IS DESIGNED FOR CABLE SIZES UP TO 14 X 2/0.
 PDU OUTPUT NEUTRAL BUSBAR IS DESIGNED FOR CABLE SIZES UP TO 12 X 500 MCM. CRITICAL: NOTE THAT THIS LIMITS SIZE/QTY COMBINATIONS FOR UNITS WITH MORE THAN (4) 800A SUBFEED BREAKERS.
 CUSTOMER IS RESPONSIBLE FOR PROCURING SUBFEED LUG KITS TO MATCH OUTPUT WIRING SPECIFICATIONS. REFER TO THE INSTALLATION GUIDE FOR LUG OPTIONS AVAILABLE FROM THE BREAKER MANUFACTURER.
14. HANDLING NOTES: UNIT SHOULD REMAIN ON PALLET UNTIL FINAL DESTINATION IS REACHED. REFER TO THE INSTALLATION MANUAL FOR THE PREFERRED METHOD OF LIFTING THE UNIT.



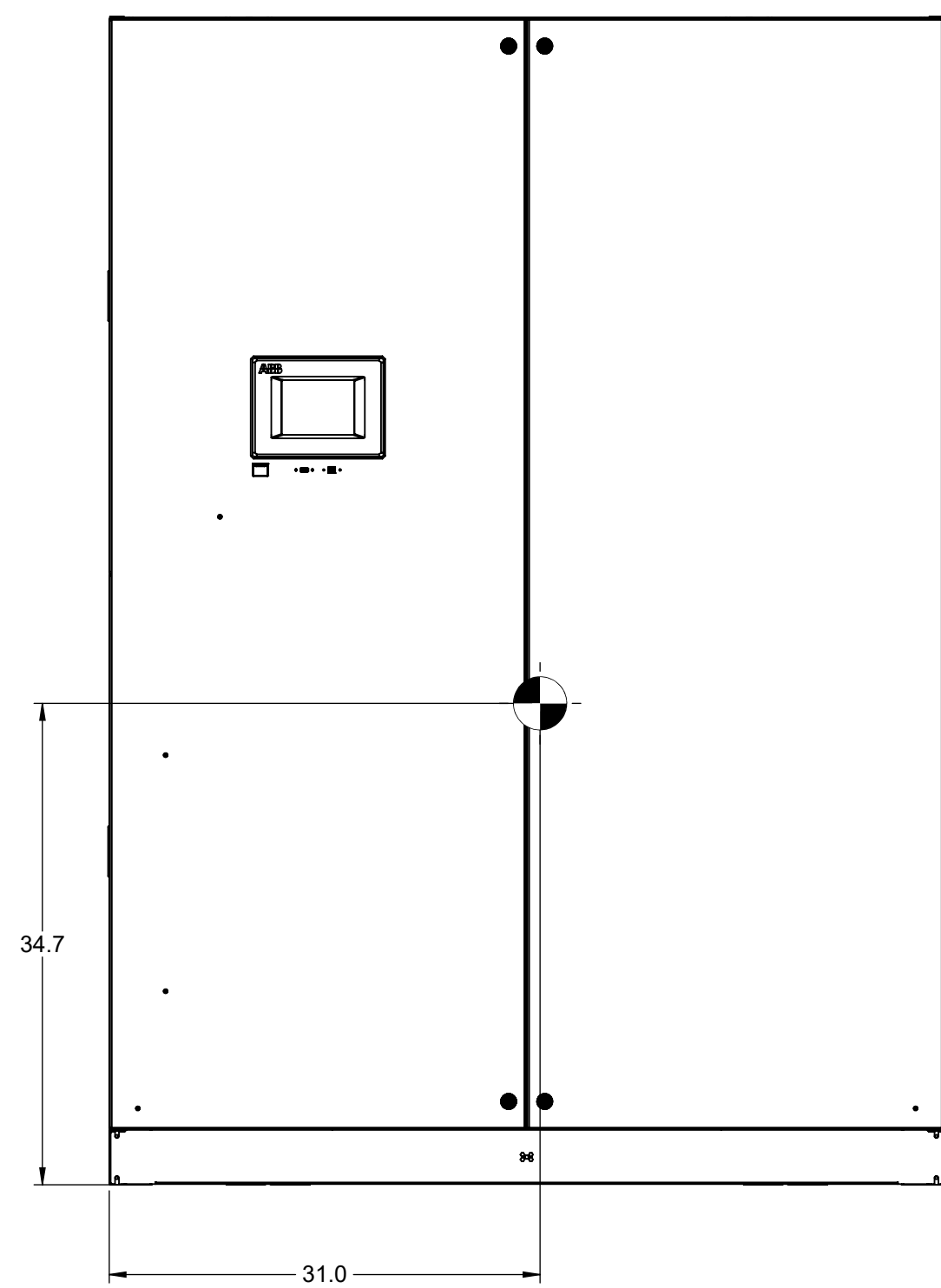
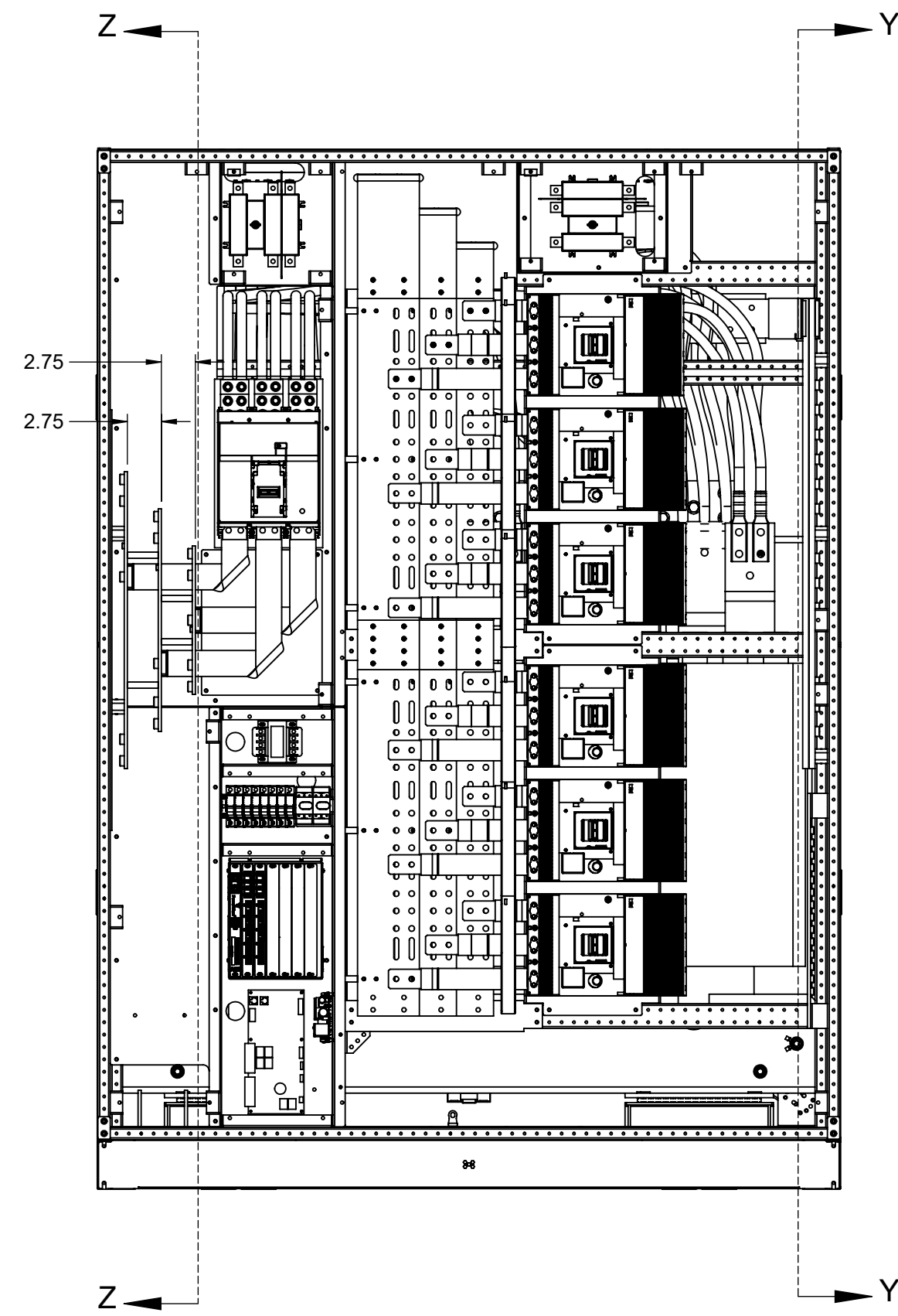
TOP DISTRIBUTION OPTIONS:
 3X 600A XT6 SUBFEED BREAKERS, OR
 3X 800A XT6 SUBFEED BREAKERS [SHOWN], OR
 4X 400A XT5 SUBFEED BREAKERS, OR
 5X 225A XT4 SUBFEED BREAKERS, OR
 5X 250A XT4 SUBFEED BREAKERS

BOTTOM DISTRIBUTION OPTIONS:
 3X 600A XT6 SUBFEED BREAKERS, OR
 3X 800A XT6 SUBFEED BREAKERS [SHOWN], OR
 4X 400A XT5 SUBFEED BREAKERS, OR
 5X 225A XT4 SUBFEED BREAKERS, OR
 5X 250A XT4 SUBFEED BREAKERS

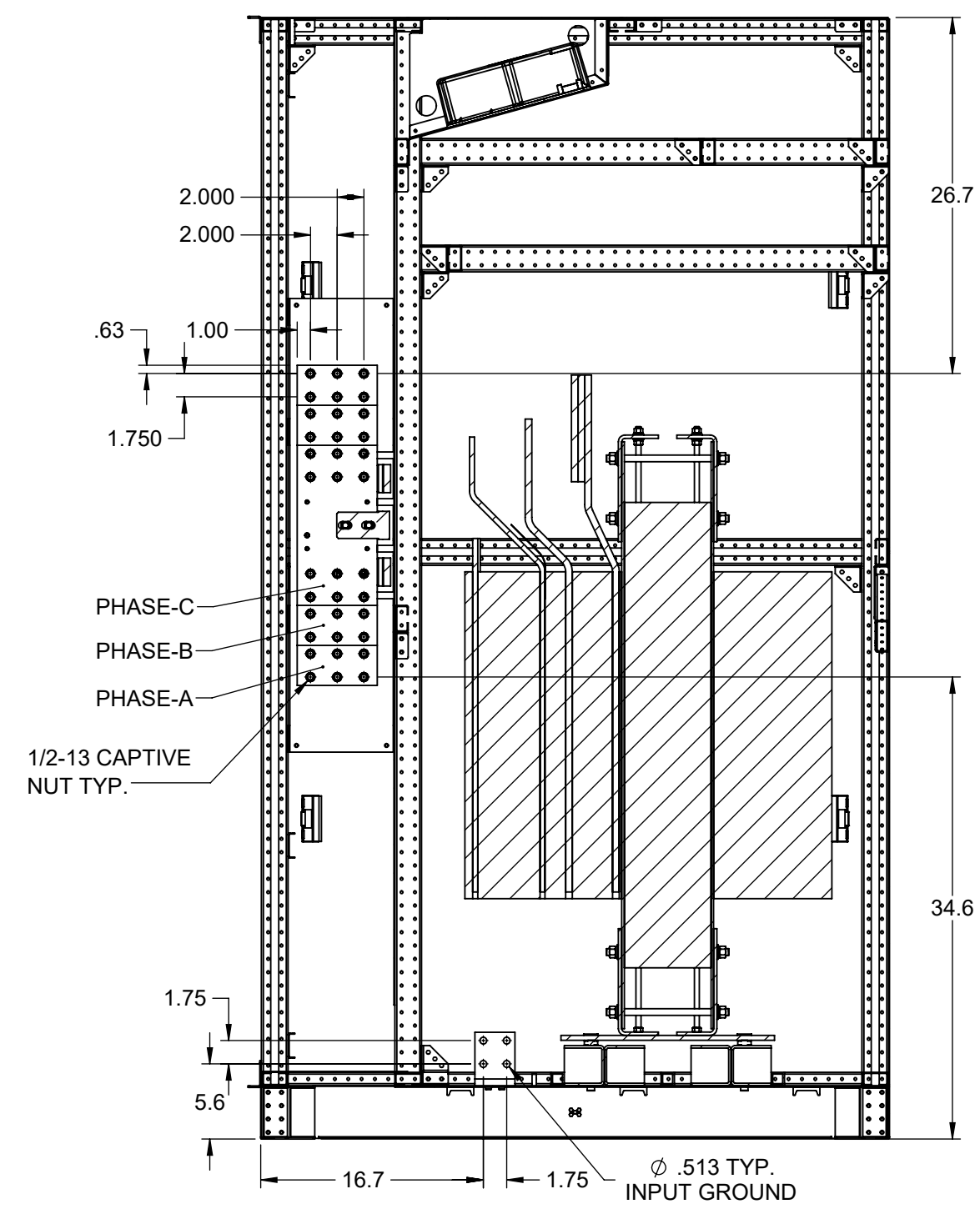
A0		ZWS		INITIAL RELEASE		08/18/2022	
Rev.	ECN#	Resp.	Description	Date			
Revision Table							
Title				Units	Sheet Size		
DRAWING, OUTLINE, 400-800kVA TRUFIT PDU				Inch	D		
Reference				Scale	1:12		
Item No.				Item Rev.	Date Drawn		
94-9200-00071858				A0	08/18/2022		
Document ID				Doc. Rev.	Page		
94-9200-00071858				A0	1 / 2		

Part must comply with company doc. 94-10-000001. Interpret drawing in accordance with ASME Y14.5-2009.		Document Kind	Outline
Tolerance	Prepared	Reference	N/A
X.XX = None	Z. W. SMITH		
X.XXX = ±.030	Approved		
	G. T. MILLER		
	Division/Dept.	Power Protection	

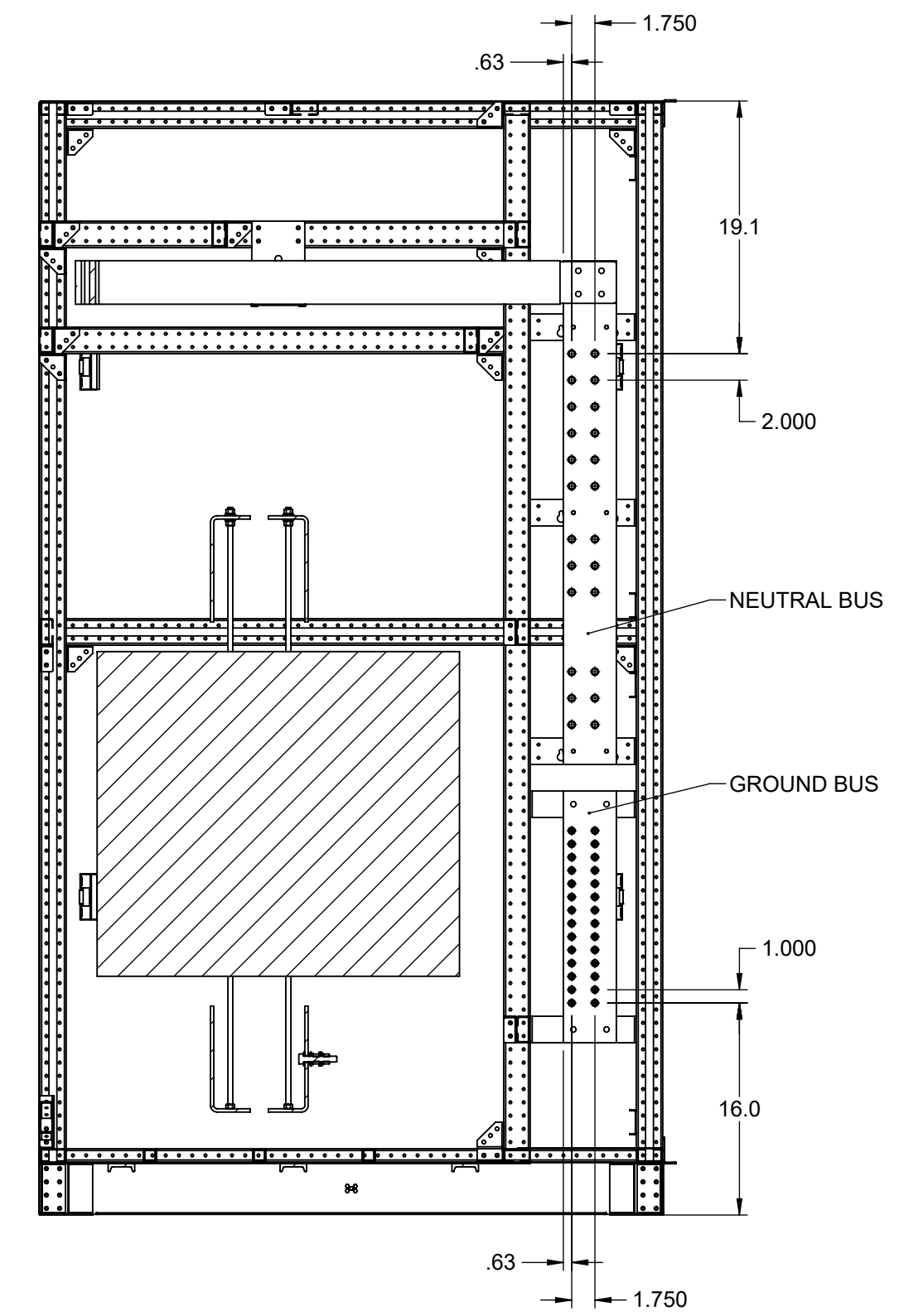
We reserve all rights in this document and in the information contained therein. Reproduction, use or disclosure to third parties without express authority is strictly forbidden. © Copyright 2014 ABB.



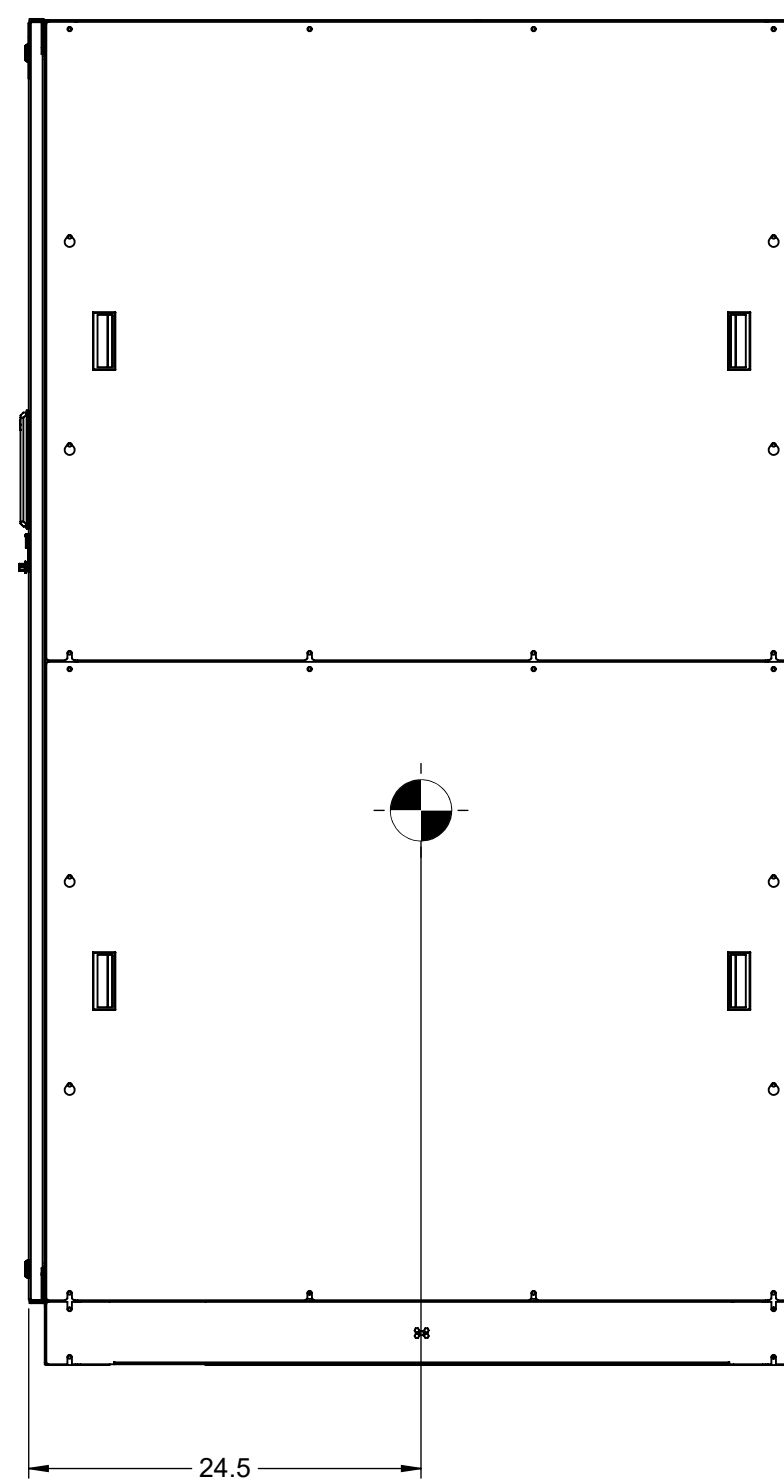
FRONT VIEW
CENTER OF MASS



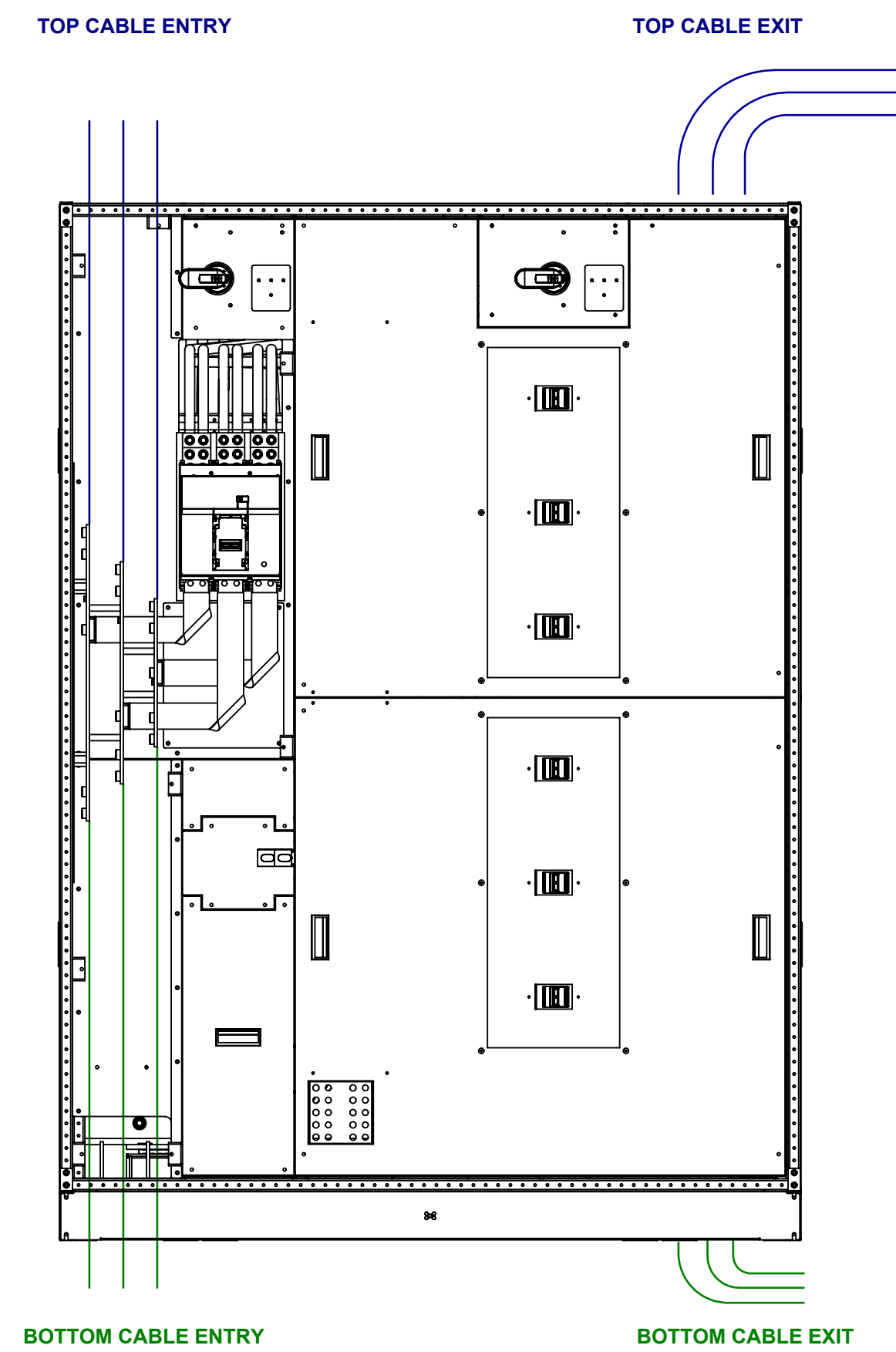
SECTION Z-Z
MAIN INPUT BREAKER CONNECTION DETAILS



SECTION Y-Y
NEUTRAL & GROUND BUS DETAILS



RIGHT SIDE VIEW
CENTER OF MASS



FRONT VIEW
(DOORS AND LEFT DEADFRONT REMOVED)