

## VD4/R – VD4/L

### Secondary distribution medium-voltage vacuum circuit-breakers

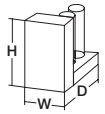
– VD4/R rh side control type EL

– VD4/L lh side control type EL

- Interchangeable with VD4 and HD4 circuit-breakers with ESH type side control
- Distance between poles 230 mm or 300 mm
- Stored-energy mechanical control able to make a complete O-C-O cycle without reloading the springs
- High number of operations and long electrical and mechanical life
- Suitable for installation in prefabricated substations and switchboards
- Easy to customize thanks to the full range of accessories
- Vacuum interrupters in the pole cylinders, to ensure resistance to impact, condensation and environmental pollution
- Maintenance-free
- On request, up to the 24 kV voltage rating, they can be equipped with an REF601 protection relay (not self-supplied) or with a PR521 protection relay (self-supplied, thus particularly suitable for use in unmanned MV/LV transformer substations without auxiliary power supply)

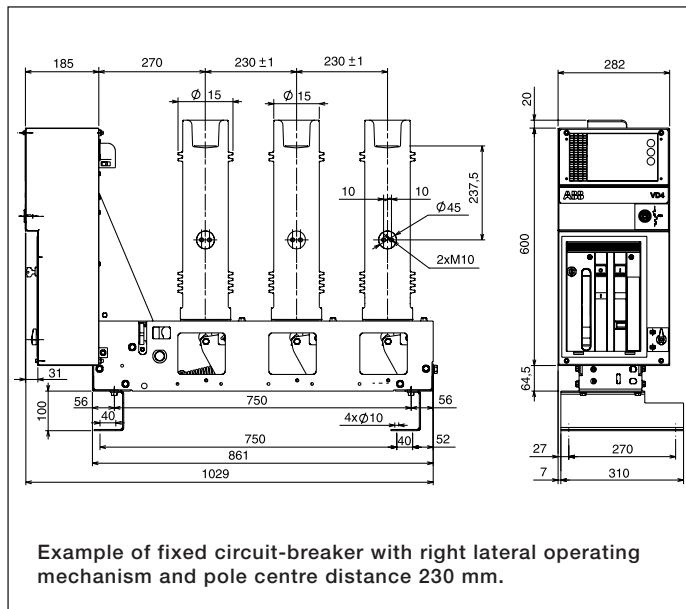


## Technical characteristics

Circuit-breaker		VD4/R - VD4/L 12			VD4/R - VD4/L 17.5			VD4/R - VD4/L 24			
Standards	IEC 62271-100	●			●			●			
Rated insulation voltage	[kV]	12			17.5			24			
Withstand voltage at 50 Hz	[kV]	28			38			50			
Impulse withstand voltage	[kV]	75			95			125			
Rated frequency	[Hz]	50-60			50-60			50-60			
Rated normal current (40 °C)	[A]	630	800	1250	630	800	1250	630	800	1250	
Rated breaking capacity and Rated short-time withstand current (3 s)	[kA]	12.5	–	–	12.5	–	–	12.5	–	–	
		16	16	16	16	16	16	16	16	16	
		20	20	20	20	20	20	20	20	20	
		25	25	25	25	25	25	25	–	–	–
		31.5	–	–	–	31.5	–	–	31.5	–	–
Making capacity	[kA]	40	40	40	40	40	40	40	40	40	
		50	50	50	50	50	50	50	50	50	
		63	63	63	63	63	63	63	–	–	–
Operation sequence		O - 0.3s - CO - 15s - CO			O - 0.3s - CO - 15s - CO			O - 0.3s - CO - 15s - CO			
Opening time	[ms]	40...60			40...60			40...60			
Arcing time	[ms]	10...15			10...15			10...15			
Total breaking time	[ms]	30...65			30...65			30...65			
Closing time	[ms]	30...60			30...60			30...60			
Overall dimensions (fixed version)		H [mm]	785			785			785		
		W [mm]	317			317			317		
		D [mm]	1029	1170		1029	1170		1029	1170	
		Pole centre distance l [mm]	230	300		230	300		230	300	
Weight fixed version	[kg]	67			67			67			
Technical catalogue	Nr.	1VCP000263			1VCP000263			1VCP000263			

1VCP000267 - Rev. B, en - Leaflet - 2012.02 VD4/R-VD4/L (mt)

## Overall dimensions



For more information please contact:

**ABB S.p.A.**  
**Power Products Division**  
**Unità Operativa Sace-MV**  
 Via Friuli, 4  
 I-24044 Dalmine  
 Tel: +39 035 6952 111  
 Fax: +39 035 6952 874  
 E-mail: info.mv@it.abb.com

**ABB AG**  
**Calor Emag Medium Voltage Products**  
 Oberhausener Strasse 33      Petzower Strasse 8  
 D-40472 Ratingen              D-14542 Glindow  
 Phone: +49(0)2102/12-1230  
 Fax: +49(0)2102/12-1916  
 E-mail: powertech@de.abb.com

[www.abb.com](http://www.abb.com)

The data and illustrations are not binding. We reserve the right to modify the contents of this document without prior notice following technical and product developments.

© Copyright 2012 ABB.  
 All rights reserved.