

# Cable Distribution Cabinets

DIN Polyester







# Cable Distribution Cabinets

DIN Polyester

## Contents

<b>Description</b>	<b>4</b>
<b>Technical features</b>	<b>4</b>
<b>Ordering details</b>	<b>5</b>
<b>Dimensional drawings</b>	<b>6</b>

# Cable Distribution Cabinets

DIN Polyester

Description and Technical data

DIN cabinets, 320 mm deep, are widely applied in the industry, energy and telecommunication sectors thanks to their universal qualities. Made of insulating, slow-burning and self-extinguishing composite: (polyester + glass fibre, characterized with resistance to atmospheric agents UV).

The ventilation system minimizes the gathering of damp. Parts of the pedestals are removable without the need to use tools, which allows an easy introduction of cables into the installed junction. Specially designed construction of the cabinet in connection with additional elements ensure fast and comfortable assembly of equipment.

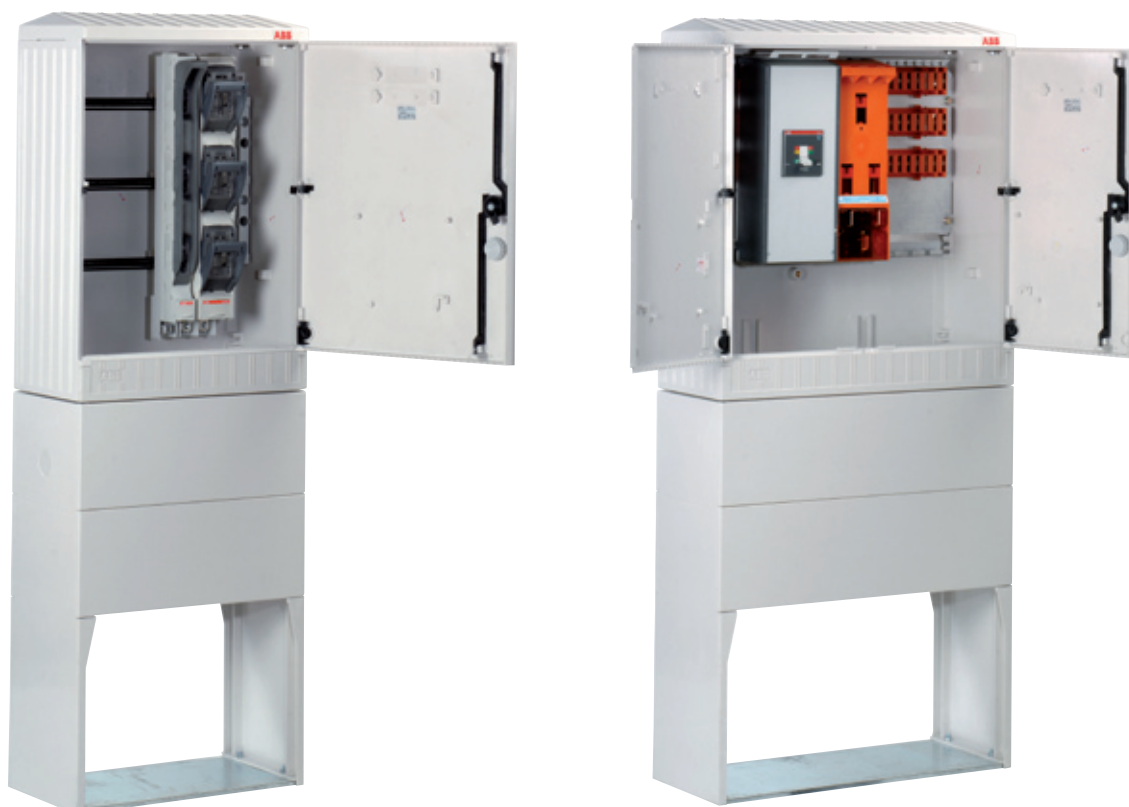
The cabinets are prepared for the FastLine system and InLine with the IP20 Z-busbar system.

## Basic parameters:

Protection grades / IP, IK - Schutzart	K-10, IP-44
depth / Tiefe	320 mm
flammability category / Flammfestigkeit	FH2-7 mm
colour / Farbe	RAL 7035
protection class / Schutzart	II
tracking resistance / Kriechstromfestigkeit	CTI 600
dielectric strength / Durchschlagfestigkeit	240 kV/cm
compliant with / Der Norm Entsprechend	DIN 43 629-1 DIN 43 629-2 DIN 43 629-3 EN 60 439-1 EN 60 439-3 EN 60 439-5 EN 50 298

Width:

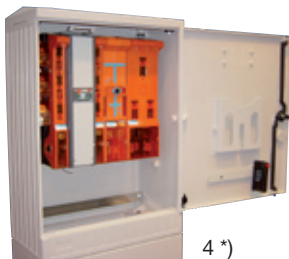
DIN00:	460 mm
DIN0:	595 mm
DIN1:	790 mm
DIN2:	1120 mm



# Cable Distribution Cabinets

DIN Polyester

Ordering details



For FastLine system



For DIN busbars



1



2



3

Type	Description	Type No.	Weight
<b>Polyester cabinet upper part, unassembled</b>			
DCA00-NA	DIN00 Upper part, unassembled	1SEP103111R0100	12
DCA0-NA	DIN0 Upper part, unassembled	1SEP103121R0100	14
DCA1-NA	DIN1 Upper part, unassembled	1SEP103131R0100	19,5
DCA-2-NA	DIN2 Upper part, unassembled	1SEP103141R0100	23,5
<b>Base, unassembled, incl. two provisional trapdoors and cable fixing bar</b>			
FDN00-NA	DIN00 base, unassembled, incl. two provisional trapdoors and cable fixing bar	1SEP201701R0001	12
FDN0-NA	DIN0 base, unassembled, incl. two provisional trapdoors and cable fixing bar	1SEP201702R0001	13,5
FDN1-NA	DIN1 base, unassembled, incl. two provisional trapdoors and cable fixing bar	1SEP201703R0001	16,5
FDN2-NA	DIN2 base, unassembled, incl. two provisional trapdoors and cable fixing bar	1SEP201704R0001	22
<b>Base, assembled, incl. two provisional trapdoors and cable fixing bar</b>			
FDN00-A	DIN00 base, assembled, incl. two provisional trapdoors and cable fixing bar	1SEP201701R0002	12
FDN0-A	DIN0 base, assembled, incl. two provisional trapdoors and cable fixing bar	1SEP201702R0002	13,5
FDN1-A	DIN1 base, assembled, incl. two provisional trapdoors and cable fixing bar	1SEP201703R0002	16,5
FDN2-A	DIN2 base, assembled, incl. two provisional trapdoors and cable fixing bar	1SEP201704R0002	22
<b>Base, unassembled</b>			
FD00-F-NA	DIN00 base, unassembled	1SEP201711R0001	11,5
FD0-F-NA	DIN0 base, unassembled	1SEP201712R0001	13
FD1-F-NA	DIN1 base, unassembled	1SEP201713R0001	16
FD2-F-NA	DIN2 base, unassembled	1SEP201714R0001	21,5
<b>Base, assembled</b>			
FD00-F-A	DIN00 base, assembled	1SEP201711R0002	11,5
FD0-F-A	DIN0 base, assembled	1SEP201712R0002	13
FD1-F-A	DIN1 base, assembled	1SEP201713R0002	16
FD2-F-A	DIN2 base, assembled	1SEP201714R0002	21,5
<b>Accessories Polyester cable distribution cabinets</b>			
	Fuseholder	1SEP304510P0001	
	KD-A6 document holder	1SEP408367R0001	
	KD-A4 document holder	1SEP408368R0001	
2	Internal light	1SEP408369R0001	
	Cylinderlock	1SEP408370R0001	
3	Triangular lock	1SEP408371R0001	
1	Locking bracket for padlock	1SEP408372R0001	
	Cabinet DCE diffusion barrier	1SEP408373R0001	

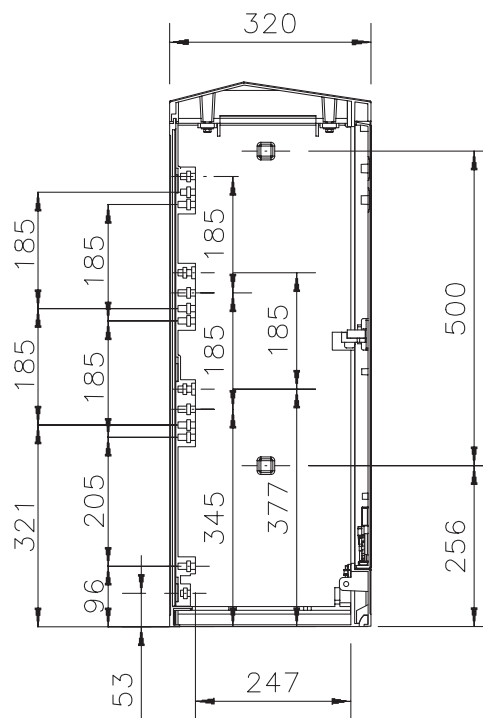
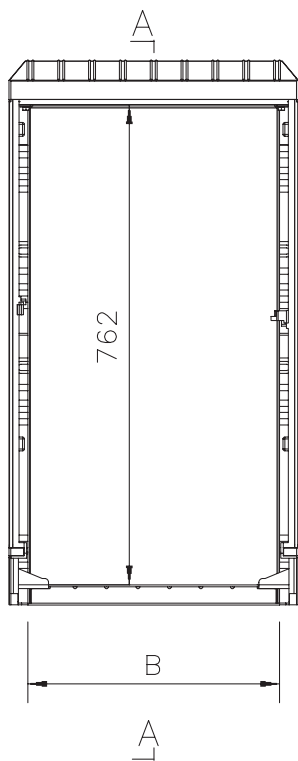
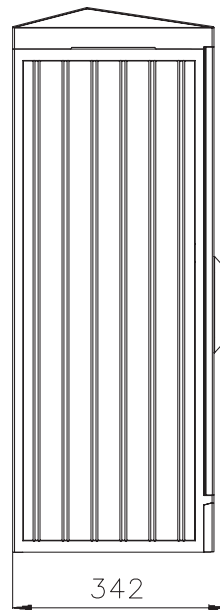
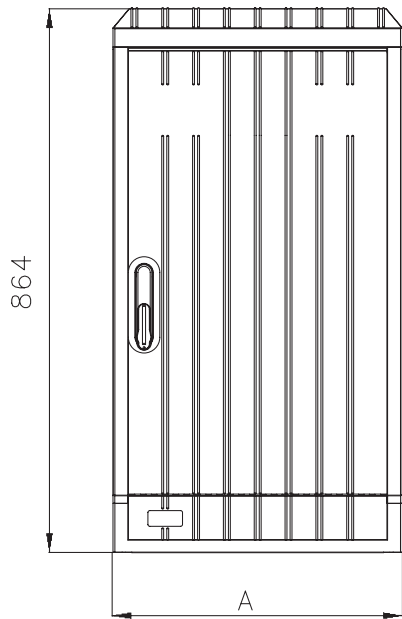
4 \*) A document holder, spar fuse holder and fuse pillar are not included in the standard version.

# Cable Distribution Cabinets

DIN Polyester

Dimensinal drawings

DIN00/0



Type	A	B
DCA00	460	400
DCA0	595	535

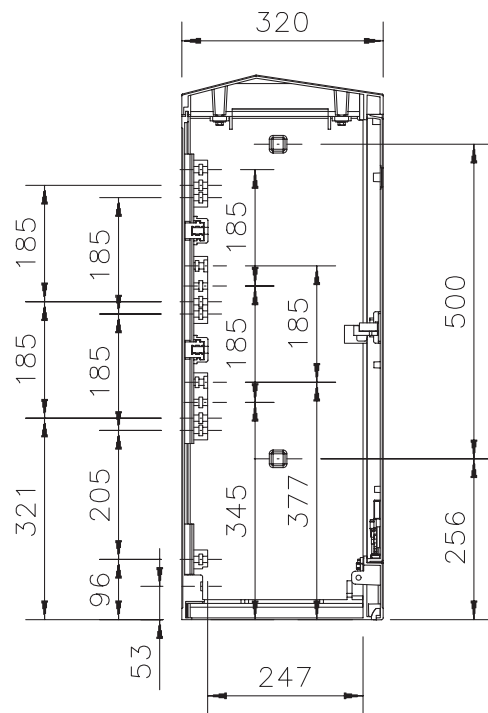
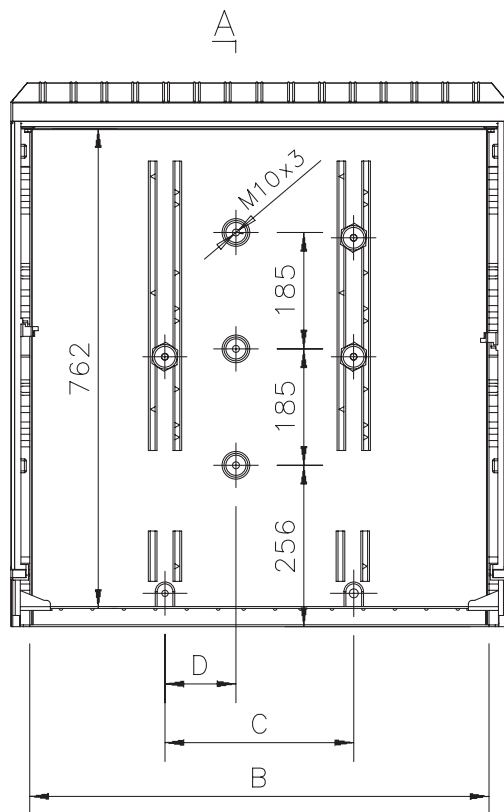
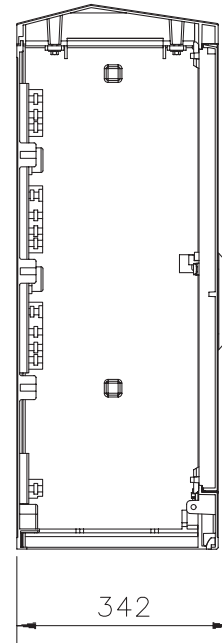
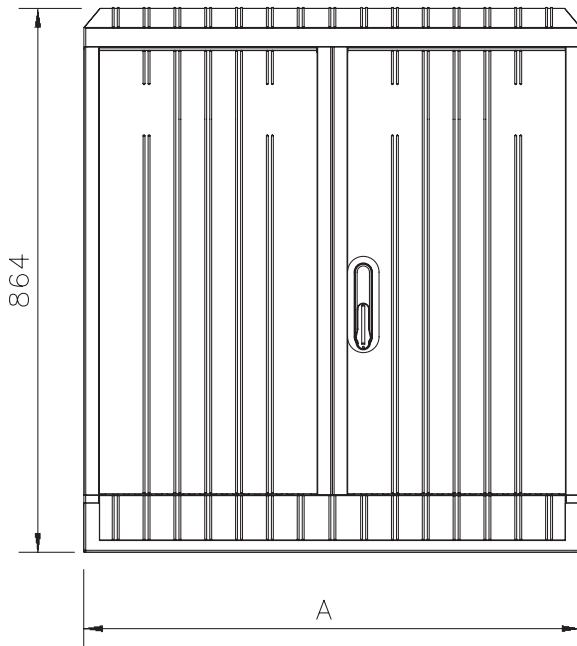
1SEB000175

# Cable Distribution Cabinets

DIN Polyester

Dimensinal drawings

DIN1/2



Type	A	B	C	D
DCA1	790	730	300	113
DCA2	1120	1060	400	163

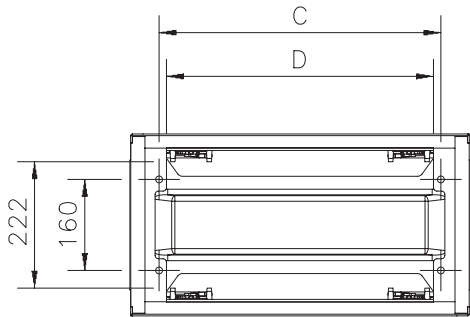
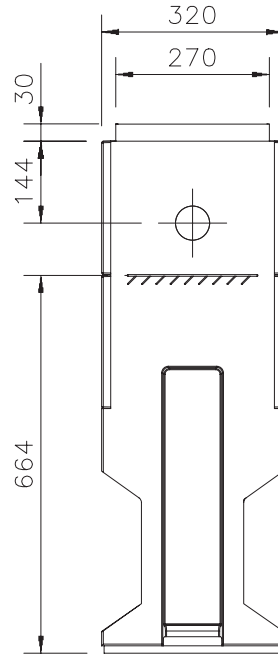
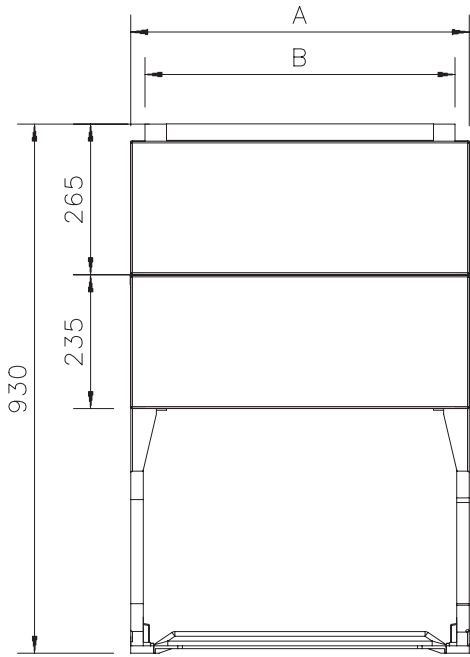
1SEB000176

# Cable Distribution Cabinets

DIN Polyester

Dimensinal drawings

## BASE



Type	A	B	C	D
FD00	460	410	360	334
FD0	595	545	495	469
FD1	790	740	690	664
FD2	1120	1070	1020	994

1SEB000177

Catalogue 1SEC32001B0201 May 2006  
 Prod. ABB Automation Products Division  
 Print: Wera AS, Porsgrunn



ISO 9001 Certified



Certificate no. XXX

ISO 14001 Certified



Certificate no. XXX

A part of its on-going product improvement, ABB reserves the right to modify the characteristics or the products described in this brochure. The information given is non-contractual. For further details please contact the ABB company marketing these products in your country.

## ABB AS

Low Voltage Products  
 Automation Products Division  
 P. O. Box 100, Sentrum  
 N-3701 SKIEN, Norway  
 Telephone +47 35 58 20 00  
 Telefax +47 35 58 28 99  
[www.abb.com/lowvoltage](http://www.abb.com/lowvoltage)