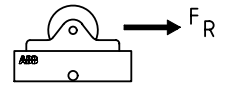
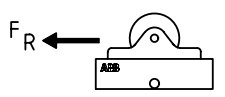


We reserve all rights in this document and in the information contained therein. Reproduction, use or disclosure to third parties without express authority is strictly forbidden. © ABB AB

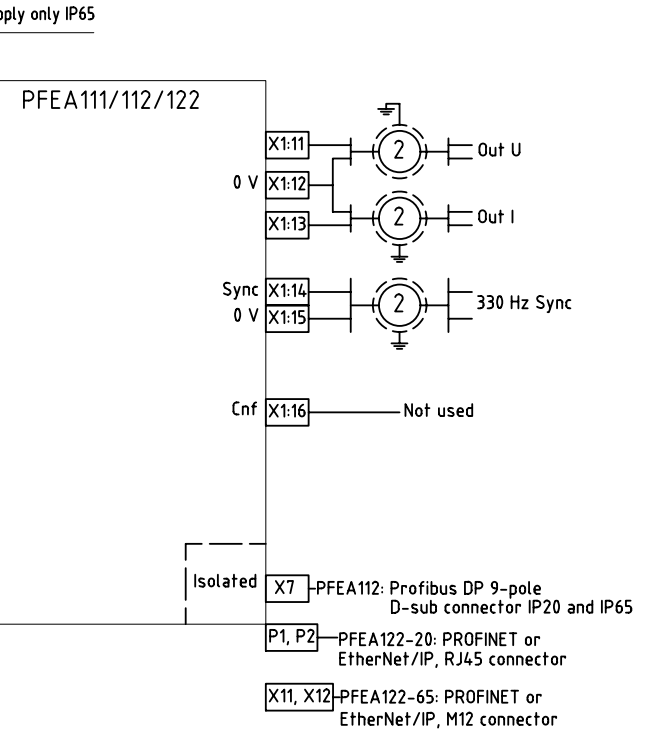
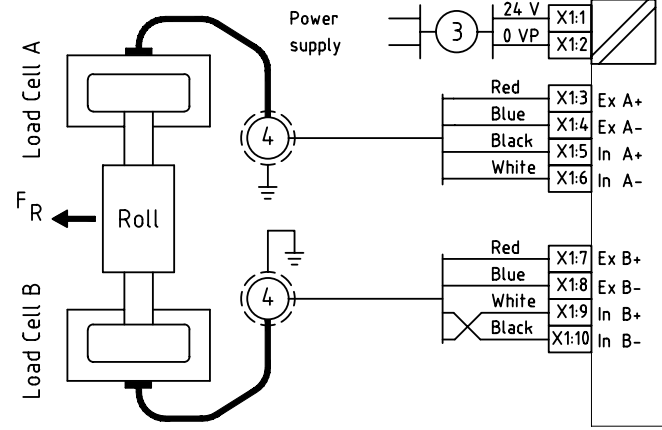
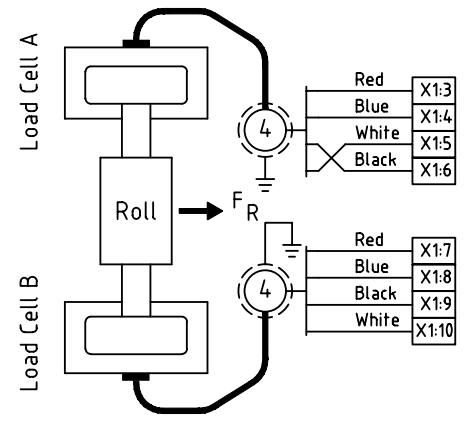
REV	DESCRIPTION	DATE	DEPT./INIT.
-	New document	2002-09-03	ATCF/FM/GB/LEN
A	Redrawn; page 2, 3, 4, 5 added.	2002-11-21	ATCF/FM/GB/LEN
B	Sheet 2 changed	2002-11-22	ATCF/FM/GB/LEN
C	Instruction for single load cell application added.	2007-04-12	PA/FM/GF/ZR
D	PFEA122 added together with information of PROFINET and EtherNet/IP connectors."Mains 100-240 V ac" was "Mains 115/230 VAC". Title updat.	2022-06-02	PAMA/FM/GF/LH
D	connectors."Mains 100-240 V ac" was "Mains 115/230 VAC". Title updat.	2022-06-02	PAMA/FM/GF/LH



FORCE DIRECTION ON LOAD CELL B
With the connection below, increased Force in the direction of the arrow results in a positive output signal change.



FORCE DIRECTION ON LOAD CELL B
With the connection below, increased Force in the direction of the arrow results in a positive output signal change.



For single Load Cell application connect shorting wire at:
-when single load cell A between X1:7 & X1:8
-when single load cell B between X1:3 & X1:4

PFTL301E

The circle on the Load Cell marks the cable outlet, use this for the orientation of the Load Cell

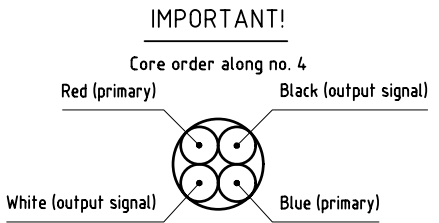
F_R = Resultant Force on Load Cells

IP20:
Power Supply 24 V dc
Signal earth (0V) connected to Tension Electronics metal plate
Cable Shields should be connected to earth close to the Tension Electronics

Cable resistance between X1:3 and X1:8 must not exceed 5 ohm.

CABLE LIST	
①	3 x 1,5...2,5 mm ² [14...12 AWG]
②	2 x 0,4...1 mm ² [22...18 AWG] — Shielded
③	2 x 1,5...2,5mm ² [14...12AWG]
④	4 x 0,5 mm ² [20 AWG] — Shielded, fixed with Load Cell

IP65:
Power Supply 100 (-15%) to 240 (+10%) V ac or 24 V dc
Signal earth (0V) connected to earth bar inside the unit
Cable Shields should be connected to earth bar inside the unit



Prohibited substances set out in the current document "ABB List of Prohibited and Restricted substances" shall not be used. Restricted substances in concentrations above the accepted levels must be declared.

Prep.	PAMA/FM/GF	Lars Hinders	2022-08-15	Circuit diagram		Conf.sh./No of sh.
Appr.	PAMA/FM/GF	Håkan F Wintzell	2022-08-17	Tension Electronics PFEA111/112/122		-
Resp.dept	PAMA/FM/GF			Tension Electronics PFEA111/112/122	-	-
ABB AB				Document number	Long.	Rev.
				3BSE02814.0D0065	en	D
				Sheet	1	

Product Family : PFEA
Product type designation : PFEA111/112/122
Product information : PFE100

Project or order number :
Customer reference :
Modify date : 2022-07-05 14:55:01

Document status : Approved