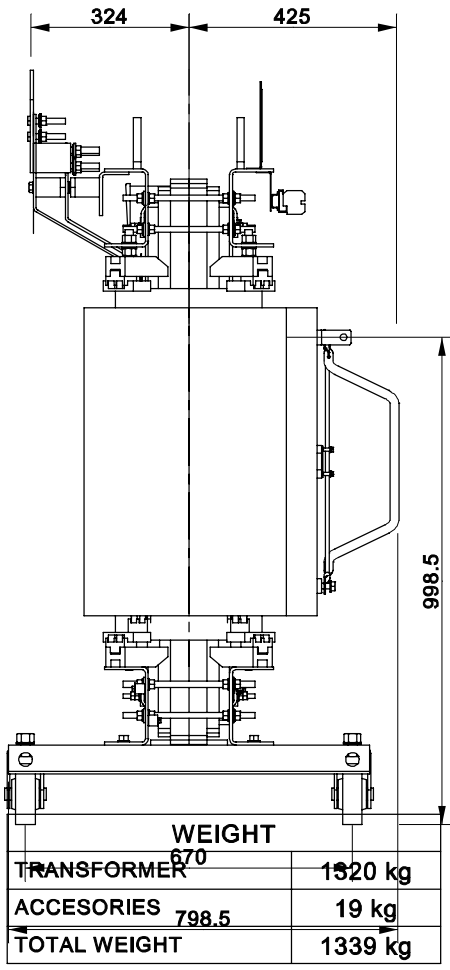
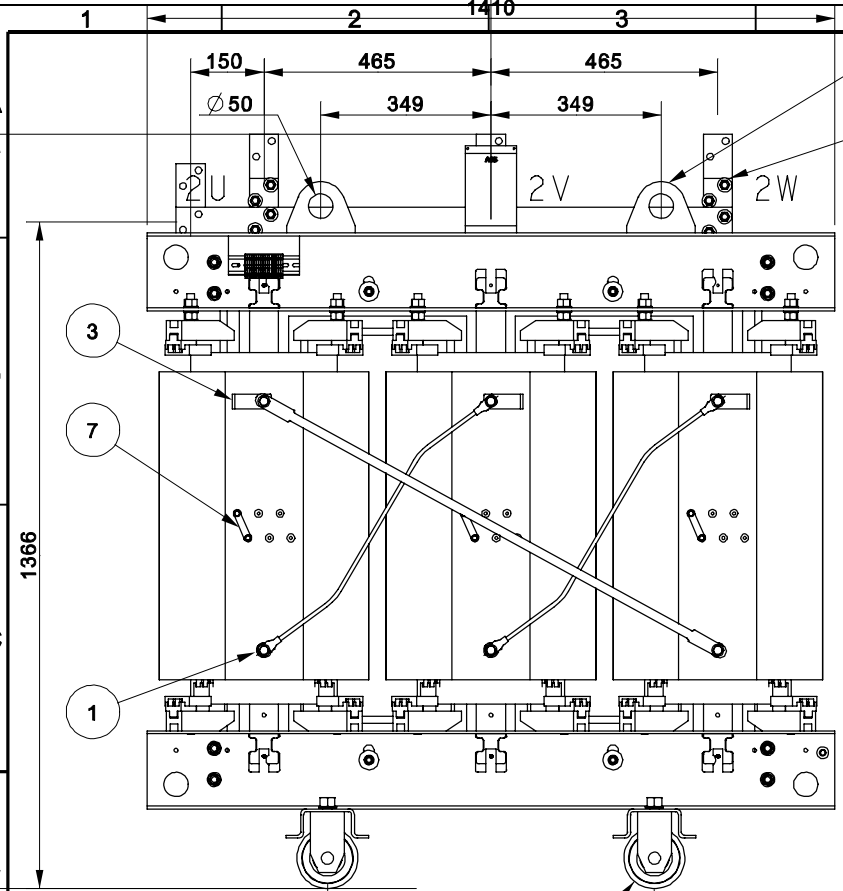


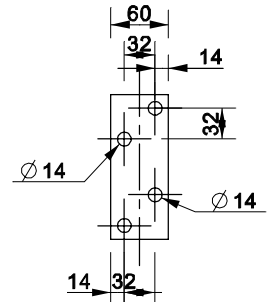
The information contained in this document is to be kept strictly confidential. Any unauthorized use, reproduction, distribution or disclosure is strictly forbidden. © Copyright 2013 ABB. All rights reserved.

SmK_24_400BkCo



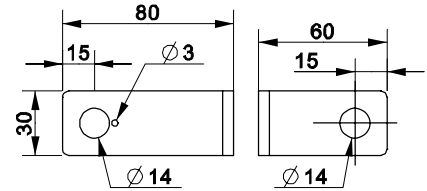
DESCRIPTION	
1	CONNECTION BETWEEN PHASES
2	EARTHING TERMINAL
3	H.V. TERMINAL
4	L.V. TERMINAL
5	LIFTING LUG
6	RATING PLATE
7	TAP CHANGER BY LINKS
8	WHEELS Ø125x40

LV TERMINAL 2N-2U-2V-2W

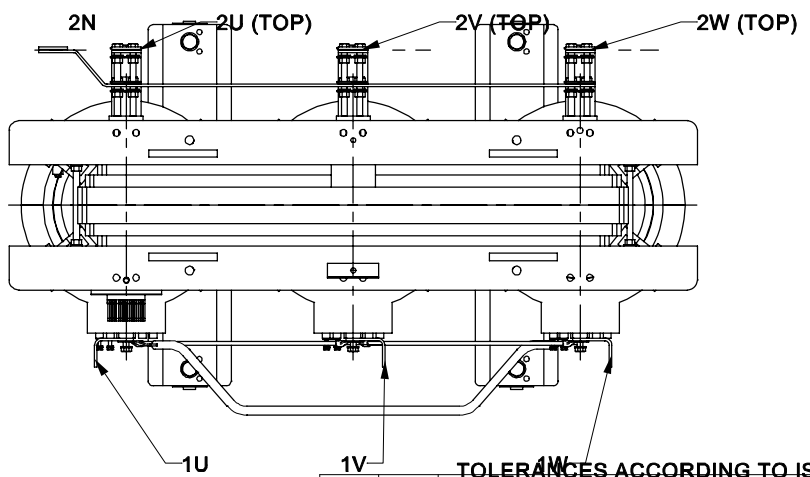


MATERIAL: : COPPER
THICKNESS: : 6.0 mm

H.V. TERMINAL 1U-1V-1W



MATERIAL: : COPPER
THICKNESS: : 5.0 mm



Item	Qty	Unit	PartID	Dimension	MaterialID	Description	Mass
Prepared				Responsible Department		Classification	
V.SANZ 24/10/2013							
Approved				Takeover Department		Title	Lang.
P.ESTELLA 24/10/2013						GENERAL ARRAGEMENT	EN
Rev.	Scale	Mass	Based On				Cont.
-	0.091	1339.3	FA000143			1	
						Document No.	Sheet
ABB Distribution Transformers						1LES253363-CR	1

Zone	Rev.	Description	Date	Approved
1				
2				
3				
4				