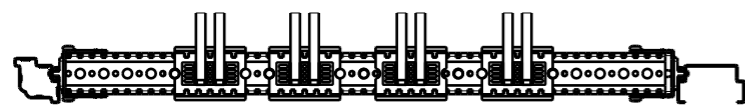
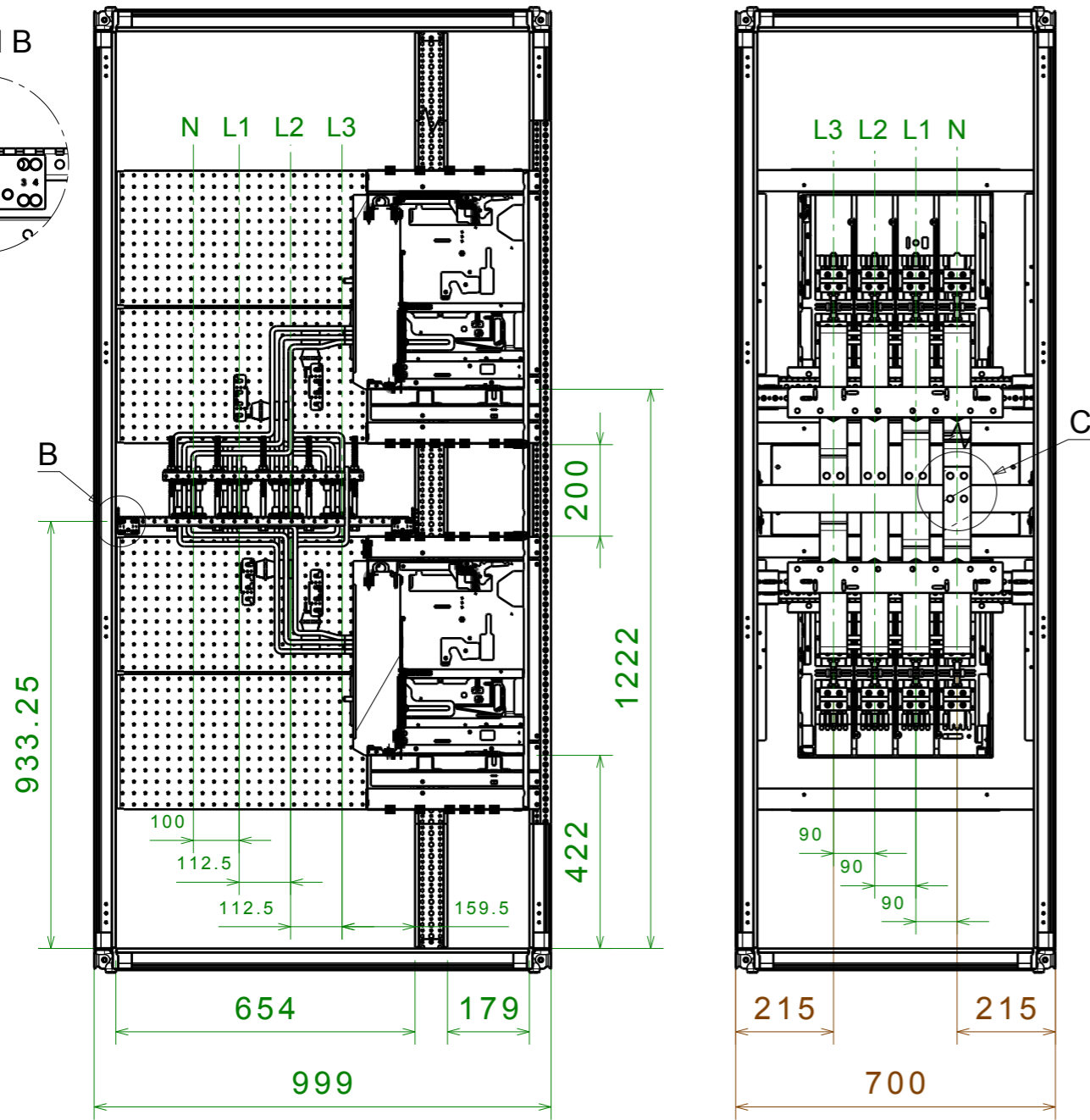
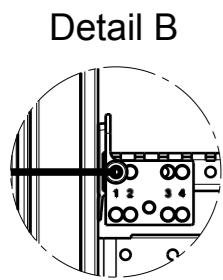
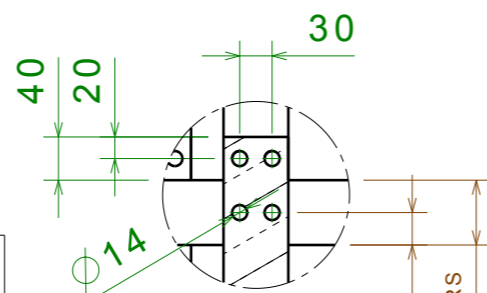


ASSEMBLY DRAWING
E2.2 2000A W
(COUPLER COLUMN) $I_{cw} > 36KA$



H MAIN BUSBARS		
	50	60
X	25	30

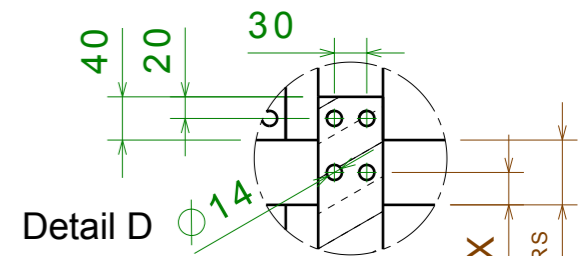
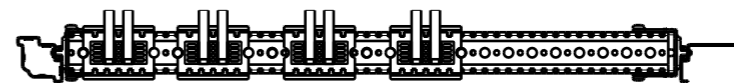
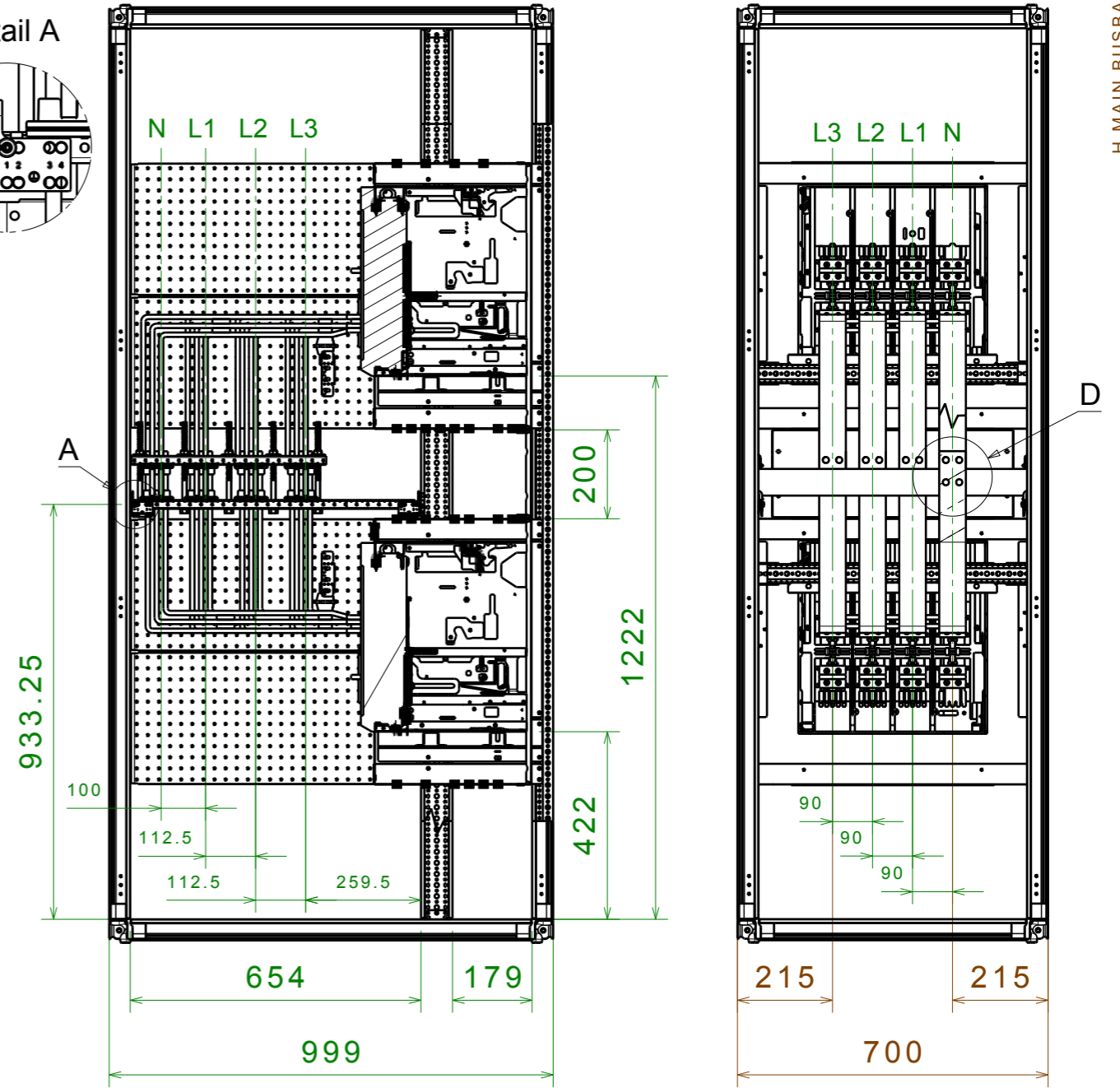
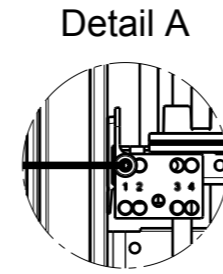


Detail C

H MAIN BUSBARS

CONNECTION BUSBARS 3x60x10xP

ASSEMBLY DRAWING
E2.2 2000A W
(COUPLER COLUMN) $I_{cw} \leq 36KA$



Detail D

H MAIN BUSBARS

AGG. DISEGNO	SCALA SCALE : 1:14
MODIFICA	DISEGNATORE DESIGNER :
DATA	APPROVAZIONE APPROVAL :
	DATA DATE : xx-xx-xx
	Formato A3 Formed

N° PROGETTO PROJECT	XXX.XX
ABB SACE ADB	
DENOMINAZIONE/NAME:	
E2.2 2000A W (COUPLER COLUMN)	
CONNECTION BUSBARS 3x60x10xP	

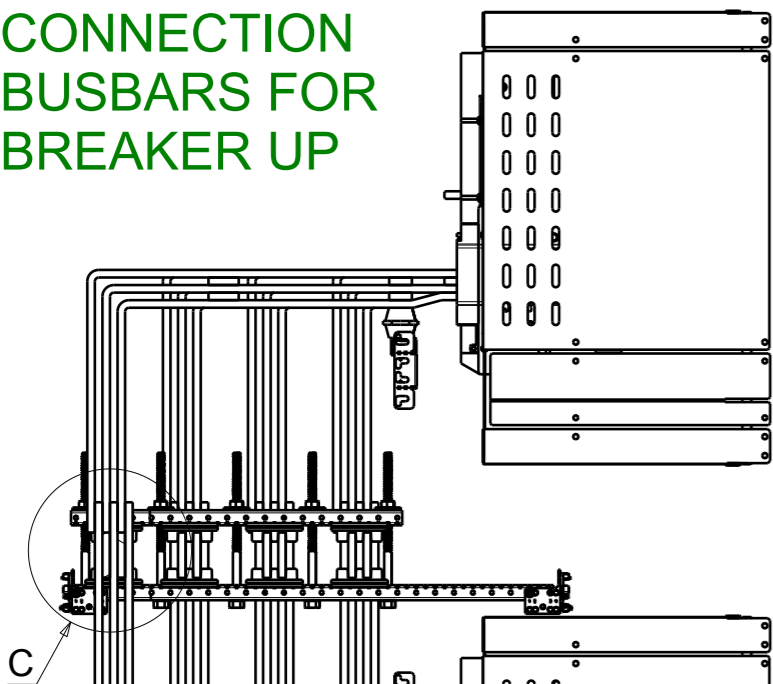
DISEGNO N° /DRAWING N°	
8 6 3 8 5 2	

PHASE	POS		A	B	C	P
L3	1	L3.1	179.25	347.25	-	-
	2	L3.2	159.25	327.25	-	-
	2	L3.3	139.25	317.25	-	-
L2	1	L2.1	291.75	347.25	-	-
	2	L2.2	271.75	327.25	-	-
	3	L2.3	251.75	317.25	-	-
L1	1	L1.1	404.25	347.25	324	-
	2	L1.2	384.25	327.25	324	-
	3	L1.3	364.25	317.25	324	-
N	1	N.1	500.25	347.25	324	-
	2	N.2	484.25	327.25	324	-
	3	N.3	464.25	317.25	324	-

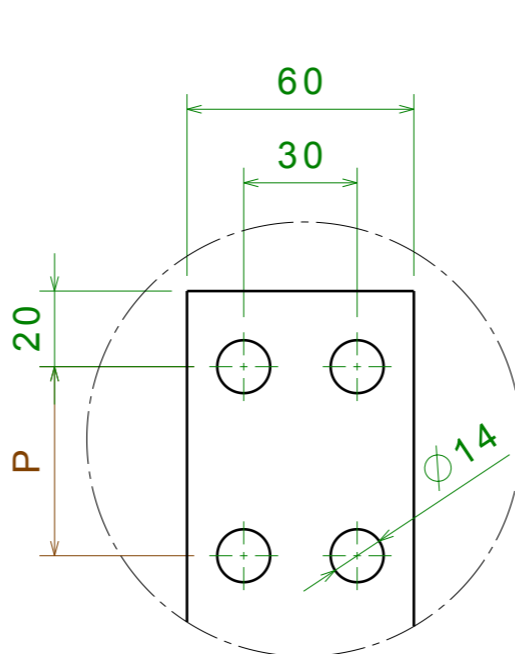
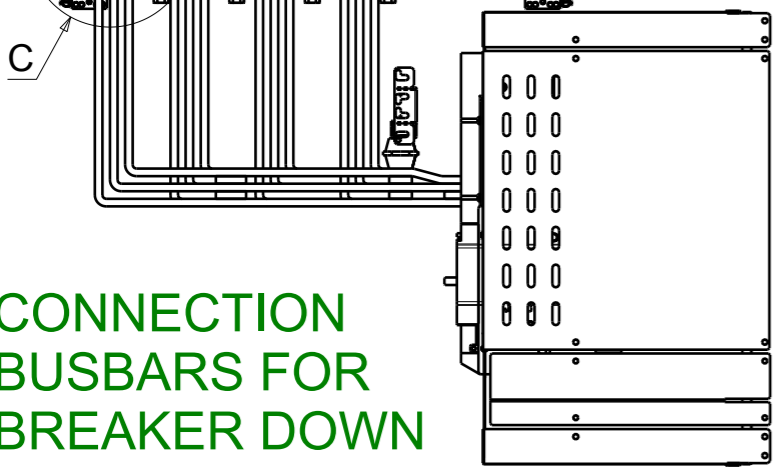
CONNECTIONS FOR E2.2 WITHDRAWABLE 2000A (COUPLER COLUMN) I_{cw} ≤ 36KA

SPEP P=900mm
 BUSBARS HOLDER PBHB2145 (75mm)
 MAIN BUSBARS IP30 / IP31 : 2000A (2x50x10);
 MAIN BUSBARS IP40 / IP41 / IP65 : 2000A (2x60x10);

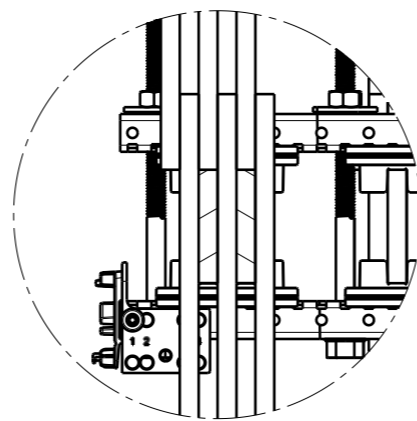
CONNECTION
BUSBARS FOR
BREAKER UP



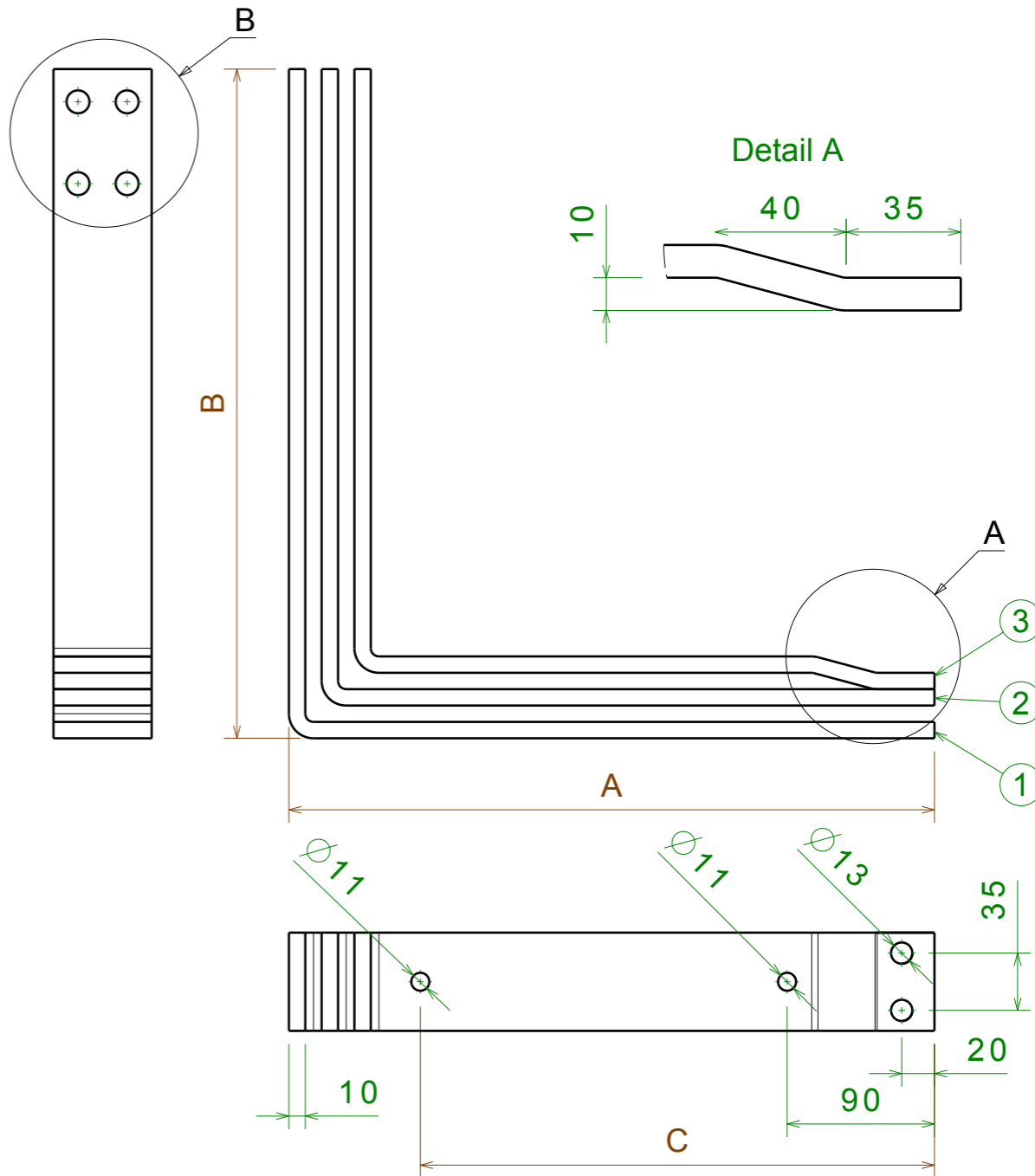
CONNECTION
BUSBARS FOR
BREAKER DOWN



Detail B



Detail C



PHASE	POS		A	B	C	P	
						H MAIN BUSBAR	
L3	1	L3.1	169.25	408.75	-	55	50
	2	L3.2	149.25	388.75	-	55	50
	2	L3.3	129.25	378.75	-	55	50
L2	1	L2.1	281.75	408.75	-	55	50
	2	L2.2	261.75	388.75	-	55	50
	3	L2.3	241.75	378.75	-	55	50
L1	1	L1.1	394.25	408.75	314	55	50
	2	L1.2	374.25	388.75	314	55	50
	3	L1.3	354.25	378.75	314	55	50
N	1	N.1	494.25	408.75	314	55	50
	2	N.2	474.25	388.75	314	55	50
	3	N.3	454.25	378.75	314	55	50

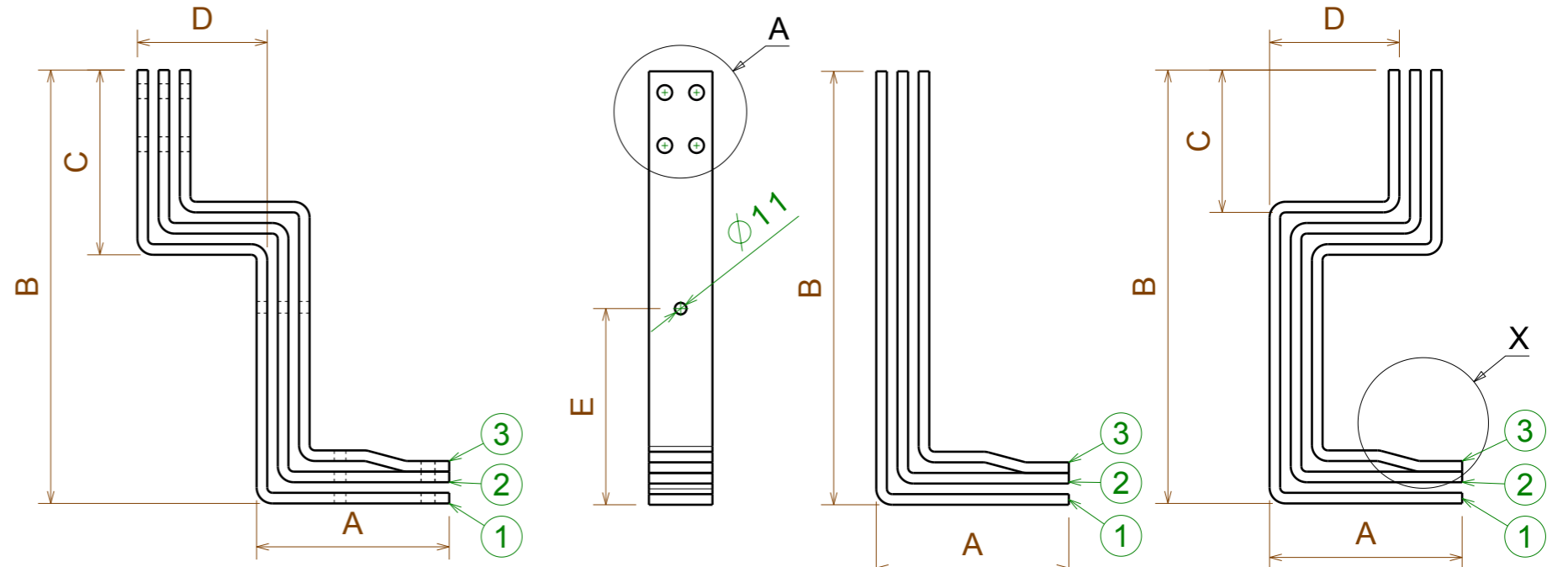
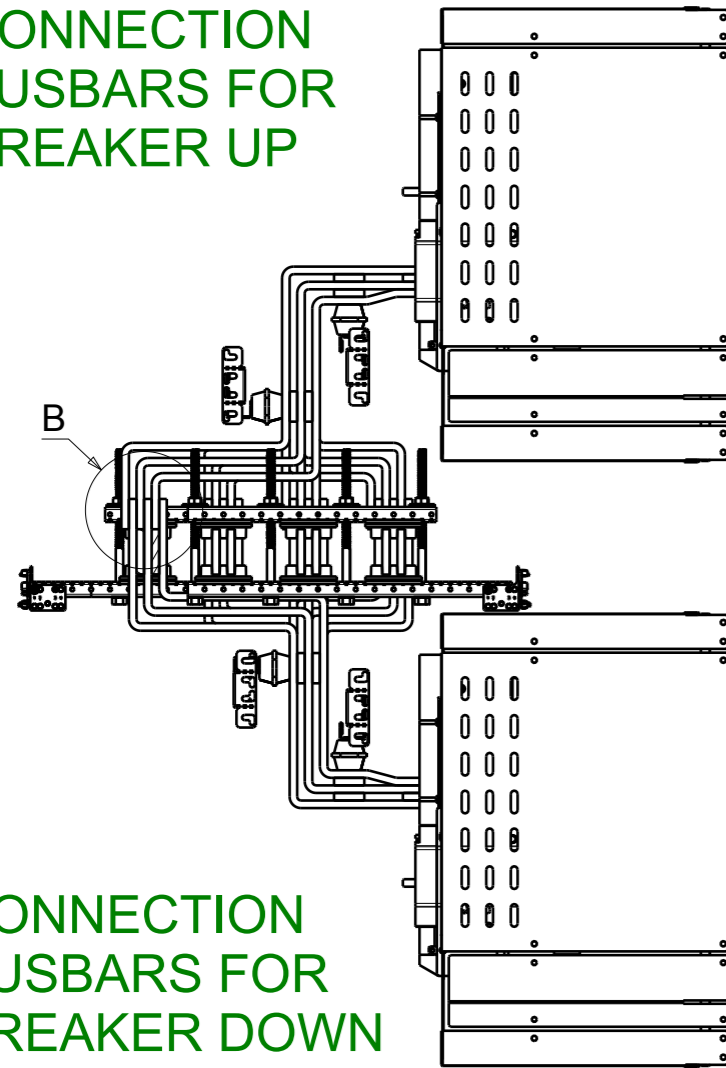
AGG. DI SEGNO	SCALA SCALE : 1:8	N° PROGETTO : XXX.XX
DESIGNER	DISEGNATORE : []	PROJECT
APPROVAZIONE	APPROVAZIONE : []	ABB SACE ADB
DATE	DATA DATE : xx-xx-xx	DENOMINAZIONE/NAME : E2.2 2000A W (COUPLER COLUMN)
FORMATO	Formato A3 Formed	CONNECTION BUSBARS 3x60x10xP_L
		DISEGNO N°/DRAWING N° : 8 6 3 8 5 3

PHASE	A	B	C	P
L3	191.75	347.25	74.25	-
	171.75	327.25	94.25	-
	151.75	317.25	114.25	-
L2	191.75	347.25	-	-
	171.75	327.25	-	-
	151.75	317.25	-	-
L1	191.75	347.25	114.25	-
	171.75	327.25	94.25	-
	151.75	317.25	74.25	-
N	191.75	347.25	114.25	-
	171.75	327.25	94.25	-
	151.75	317.25	74.25	-

CONNECTIONS FOR E2.2 WITHDRAWABLE 2000A (COUPLER COLUMN) $I_{cw} > 36KA$

SPEP P=900mm
 BUSBARS HOLDER PBHB2145 (75mm)
 MAIN BUSBARS IP30 / IP31 : 2000A (2x50x10);
 MAIN BUSBARS IP40 / IP41 / IP65 : 2000A (2x60x10);

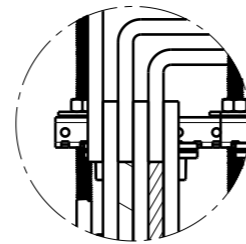
CONNECTION
BUSBARS FOR
BREAKER UP



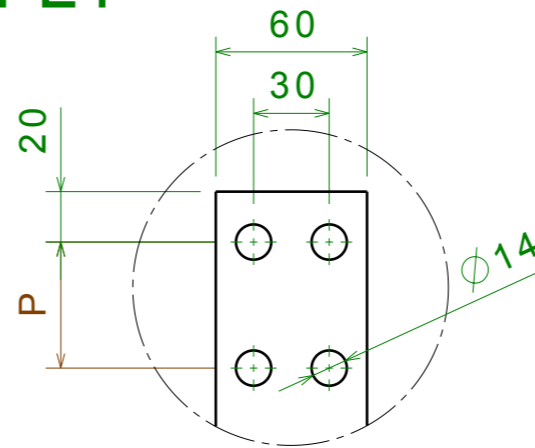
N-L1

L2

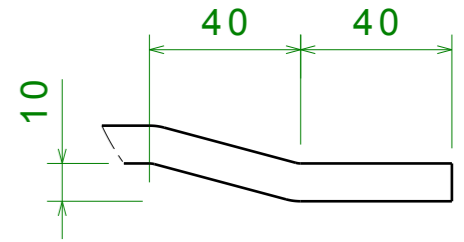
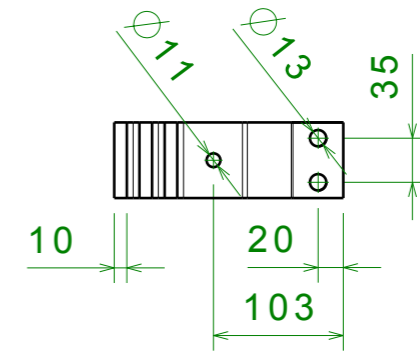
L3



Detail B



Detail A



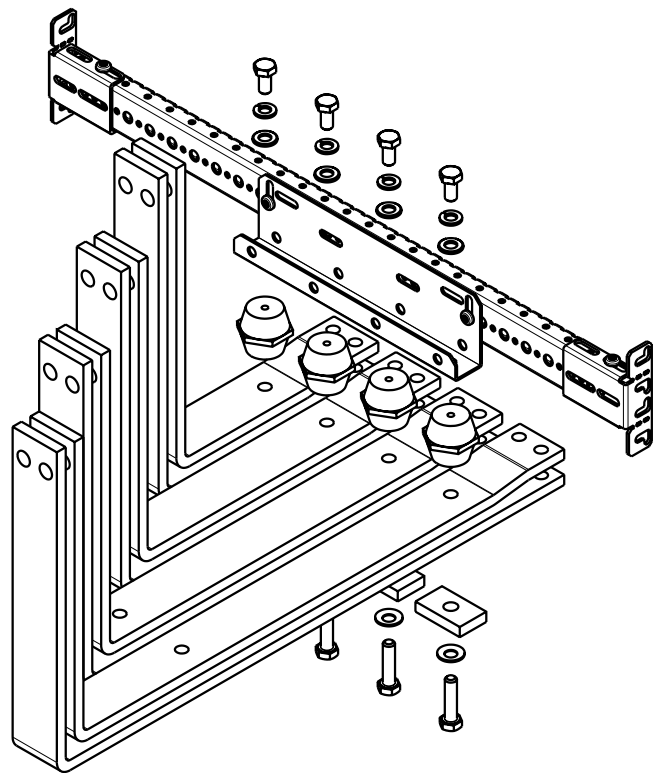
Detail X
Scale: 1:2

PHASE	A	B	C	P	
				H MAIN BUSBAR	
L3	181.75	408.75	134.25	55	50
	161.75	388.75	154.25	55	50
	141.75	378.75	174.25	55	50
L2	181.75	408.75	-	55	50
	161.75	388.75	-	55	50
	141.75	378.75	-	55	50
L1	181.75	408.75	174.25	55	50
	161.75	388.75	154.25	55	50
	141.75	378.75	134.25	55	50
N	181.75	408.75	174.25	55	50
	161.75	388.75	154.25	55	50
	141.75	378.75	134.25	55	50

PHASE	POS	D	E
L3	1	L3.1	122.5
	2	L3.2	122.5
	3	L3.3	122.5
L2	1	L2.1	-
	2	L2.2	-
	3	L2.3	-
L1	1	L1.1	122.5
	2	L1.2	122.5
	3	L1.3	122.5
N	1	N.1	222.5
	2	N.2	222.5
	3	N.3	222.5

SCALA SCALE	: 1:6	TRATT.:	
DISEGNATORE DESIGNER	:	N° PROGETTO PROJECT	XXX.XX
APPROVAZIONE APPROVAL	:	ABB	ABB SACE ADB
DATA DATE	: xx-xx-xx	DENOMINAZIONE/NAME:	E2.2 2000A W (COUPLER COLUMN) CONNECTION BUSBARS 3x60x10xP
FORMATO FORMED	Formato A3 Formed	DISEGNO N°/DRAWING N°	8 6 3 8 5 4

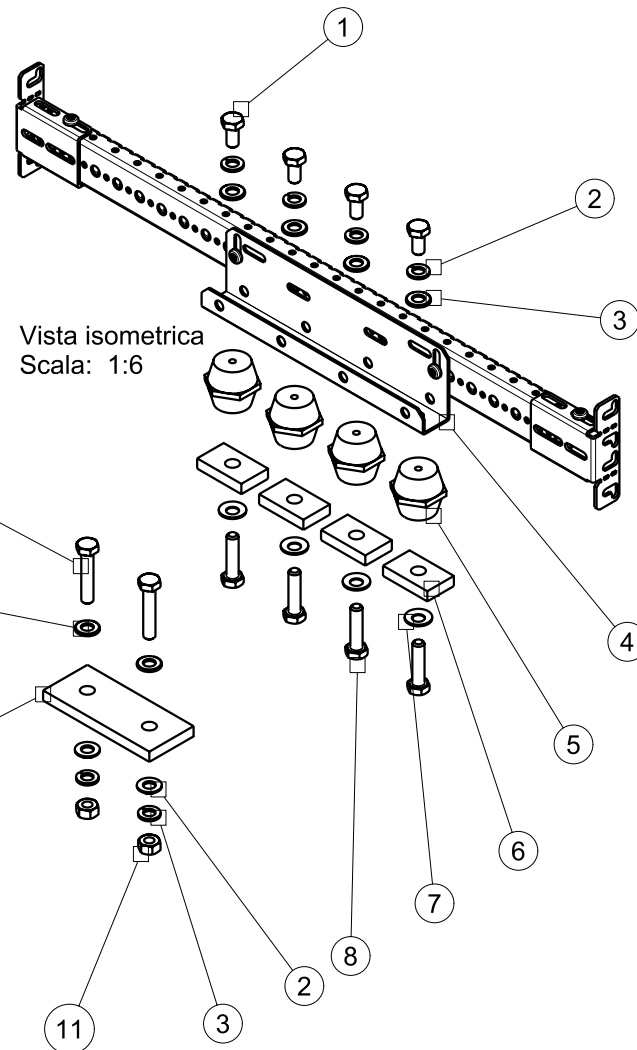
HOLDER FOR Icw 15KA



Vista isometrica
Scala: 1:6

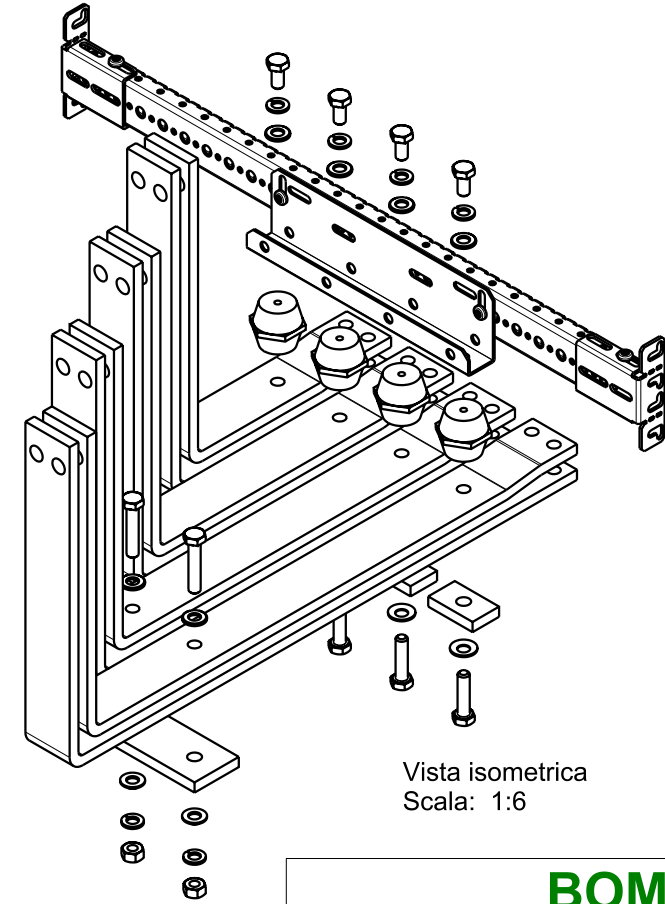
BOM

POS	DESCRIPTION
1	HEX CAP SCREWS M10x16 - 8.8 (VITE TESTA ESAGONALE M10x16 - 8.8)
2	FLAT WASHER M10 (RONDELLA PIANA M10)
3	SPRING LOCK WASHER M10 (ROSETTA ELASTICA GROWER M10)
4	BRACKET FOR INSULATOR (STAFFA ISOLATORI)
5	INSULATOR H40 M10 (ISOLATORI H40 M10)
6	CUPPER SPACER H10mm (SPESSORE IN RAME H10mm)
7	CONICAL SPRING WASHER M10 (ROSETTE ELASTICHE CONICHE M10)
8	HEX CAP SCREWS M10x__ - 8.8 (VITE TESTA ESAGONALE M10x__ - 8.8)



Vista isometrica
Scala: 1:6

HOLDER FOR Icw 25-36KA



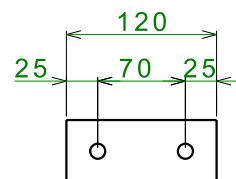
Vista isometrica
Scala: 1:6

BOM

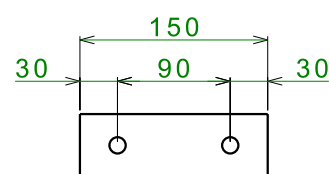
N° PART	DESCRIPTION
1	HEX CAP SCREWS M10x16 - 8.8 (VITE TESTA ESAGONALE M10x16 - 8.8)
2	FLAT WASHER M10 (RONDELLA PIANA M10)
3	SPRING LOCK WASHER M10 (ROSETTA ELASTICA GROWER M10)
4	BRACKET FOR INSULATOR (STAFFA ISOLATORI)
5	INSULATOR H40 M10 (ISOLATORI H40 M10)
6	CUPPER SPACER H10mm (SPESSORE IN RAME H10mm)
7	CONICAL SPRING WASHER M10 (ROSETTE ELASTICHE CONICHE M10)
8	HEX CAP SCREWS M10x__ - 8.8 (VITE TESTA ESAGONALE M10x__ - 8.8)
9	GPO3 PROFILE
10	HEX CAP SCREWS M10x__ - 8.8 (VITE TESTA ESAGONALE M10x__ - 8.8)
11	NUT M10 - (DADO M12)

GPO3 PROFILE

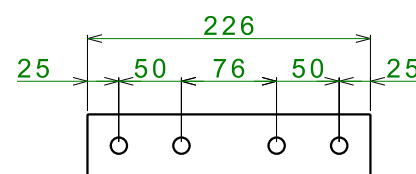
E1.2 2 PHASE



E2.2 2 PHASE



E4.2 2 PHASE



801

FIG.

DIMENSIONI / DIMENSION

PESO / WEIGHT

mm

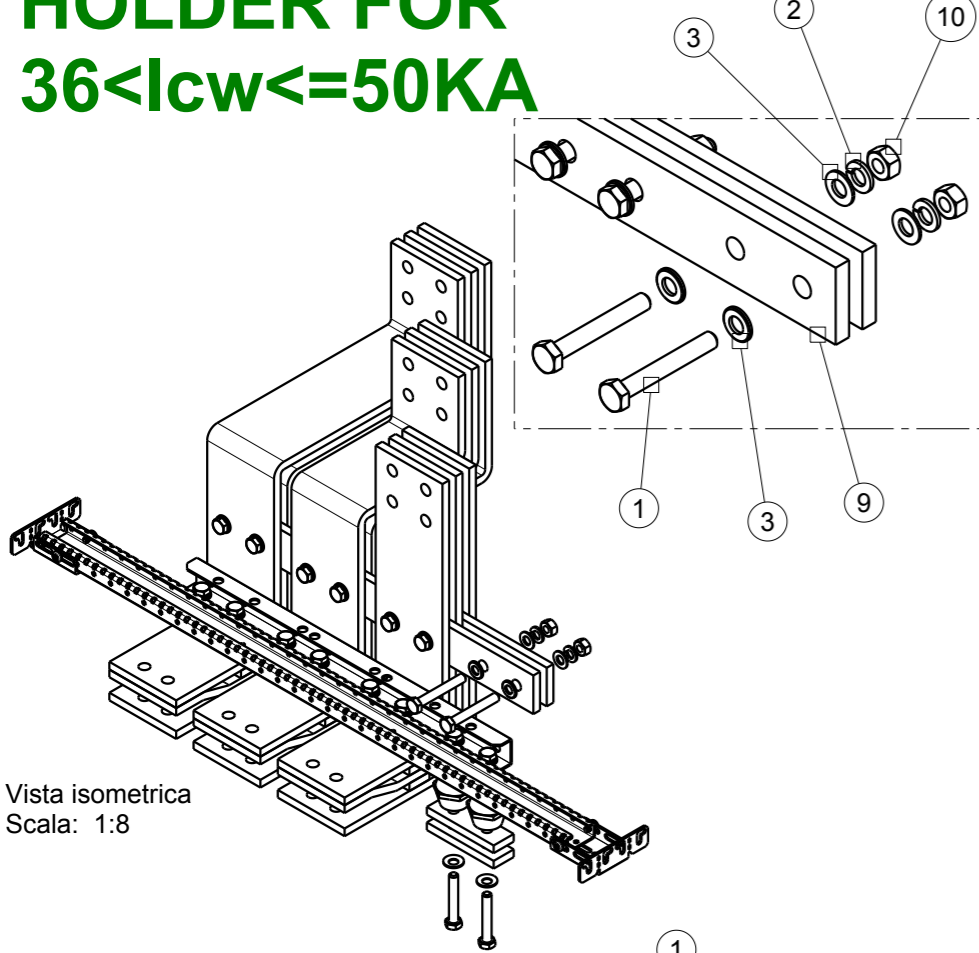
UNITA' DI MISURA / UNITS OF MEASUREMENT

SCALA / SCALE	:	MAT. / MAT. :
DISegnato DA / DRAW BY	:	TRATT. / TREAT :
APPROVAZIONE / APPROVAL	:	PROGETTO N° / PROJECT N° : 142.00
DATA / DATE	: 14.04.2016	ABB ABB SACE ADB
Formato / Format	A3	DESCRIZIONE / DESCRIPTION : ANCORAGGIO BARRE A "L" "L" TYPE CONNECTIONS SUPPORT

DISEGNO N° / DRAWING N°	863876
-------------------------	---------------

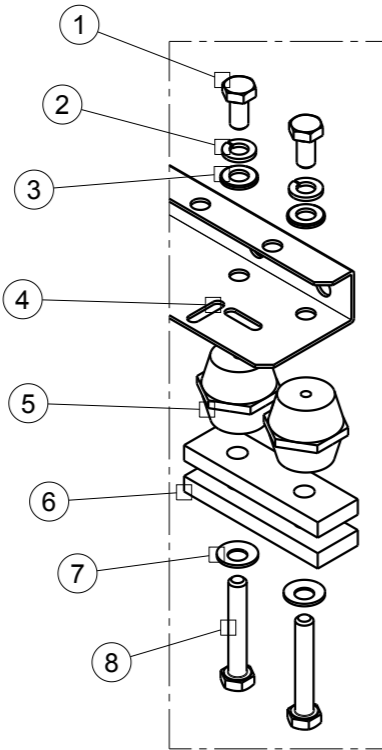
HOLDER FOR 36<I_{cw}<=50KA

Vista isometrica
Scala: 1:8



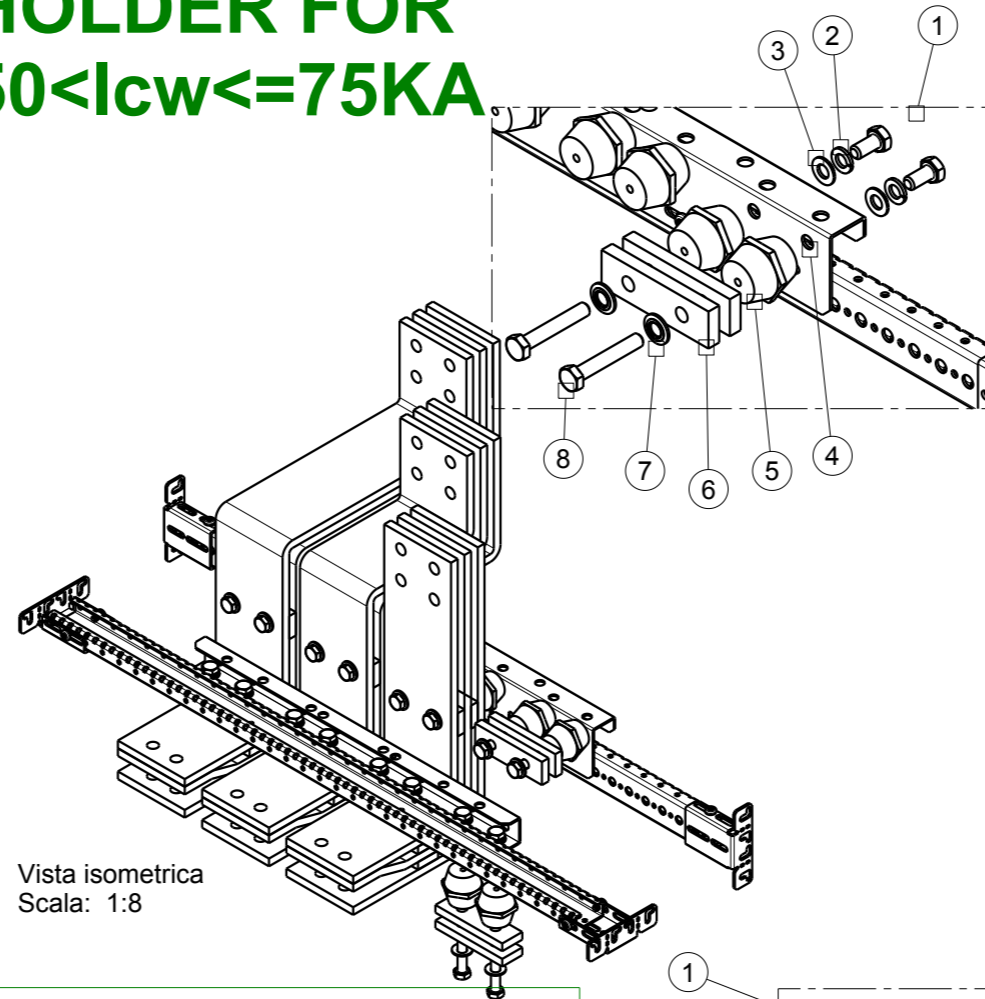
BOM 36<I_{cw}<=50KA

POS	DESCRIPTION
1	HEX CAP SCREWS M10x16 - 8.8 (VITE TESTA ESAGONALE M10x16 - 8.8)
2	FLAT WASHER M10 (RONDELLA PIANA M10)
3	SPRING LOCK WASHER M10 (ROSETTA ELASTICA GROWER M10)
4	BRACKET FOR INSULATOR (STAFFA ISOLATORI)
5	INSULATOR H40 M10 (ISOLATORI H40 M10)
6	CUPPER SPACER H10mm (SPESSORE IN RAME H10mm)
7	CONICAL SPRING WASHER M10 (ROSETTE ELASTICHE CONICHE M10)
8	HEX CAP SCREWS M10x__ - 8.8 (VITE TESTA ESAGONALE M10x__ - 8.8)
9	GPO3 PROFILE
10	NUT M10 - DADO M10



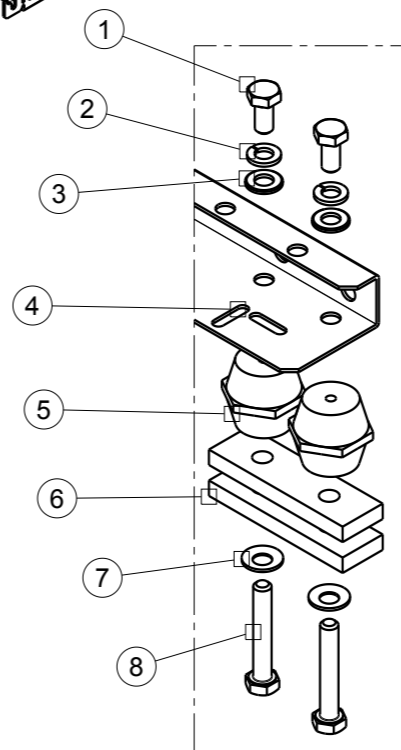
HOLDER FOR 50<I_{cw}<=75KA

Vista isometrica
Scala: 1:8



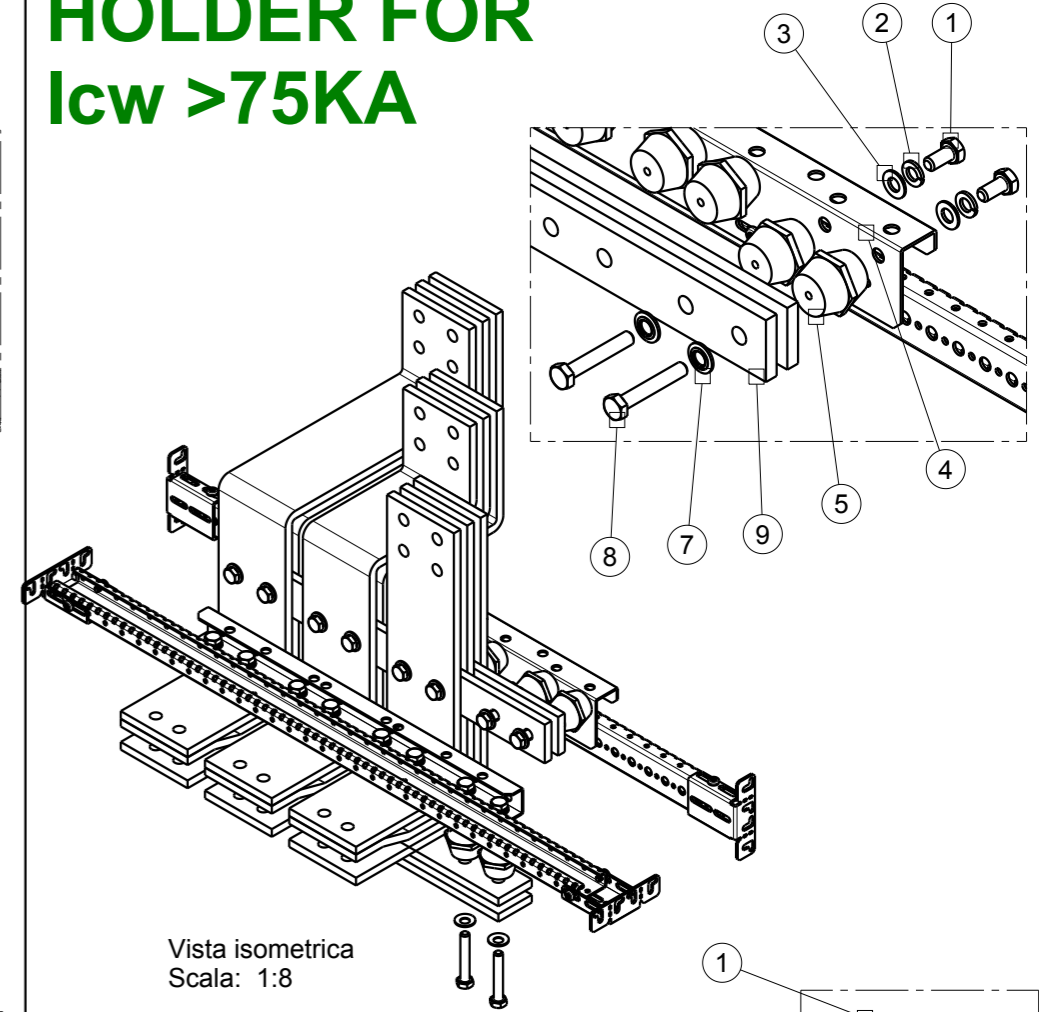
BOM 50<I_{cw}<=75KA

POS	DESCRIPTION
1	HEX CAP SCREWS M10x16 - 8.8 (VITE TESTA ESAGONALE M10x16 - 8.8)
2	FLAT WASHER M10 (RONDELLA PIANA M10)
3	SPRING LOCK WASHER M10 (ROSETTA ELASTICA GROWER M10)
4	BRACKET FOR INSULATOR (STAFFA ISOLATORI)
5	INSULATOR H40 M10 (ISOLATORI H40 M10)
6	CUPPER SPACER H10mm (SPESSORE IN RAME H10mm)
7	CONICAL SPRING WASHER M10 (ROSETTE ELASTICHE CONICHE M10)
8	HEX CAP SCREWS M10x__ - 8.8 (VITE TESTA ESAGONALE M10x__ - 8.8)
9	GPO3 PROFILE



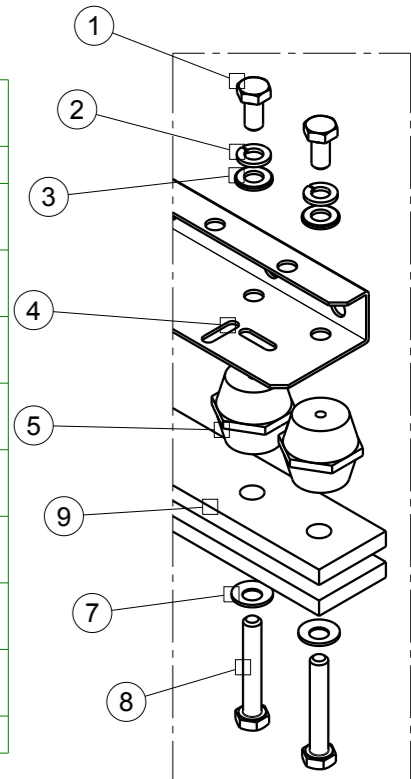
HOLDER FOR I_{cw} >75KA

Vista isometrica
Scala: 1:8



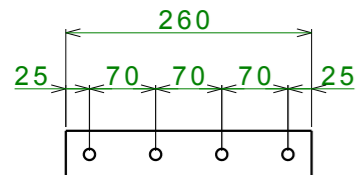
BOM I_{cw}>75KA

POS	DESCRIPTION
1	HEX CAP SCREWS M10x16 - 8.8 (VITE TESTA ESAGONALE M10x16 - 8.8)
2	FLAT WASHER M10 (RONDELLA PIANA M10)
3	SPRING LOCK WASHER M10 (ROSETTA ELASTICA GROWER M10)
4	BRACKET FOR INSULATOR (STAFFA ISOLATORI)
5	INSULATOR H40 M10 (ISOLATORI H40 M10)
6	CUPPER SPACER H10mm (SPESSORE IN RAME H10mm)
7	CONICAL SPRING WASHER M10 (ROSETTE ELASTICHE CONICHE M10)
8	HEX CAP SCREWS M10x__ - 8.8 (VITE TESTA ESAGONALE M10x__ - 8.8)
9	GPO3 PROFILE

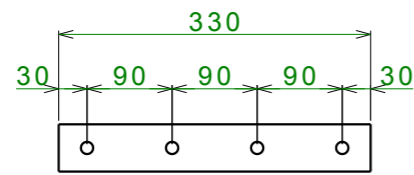


GPO3 PROFILE

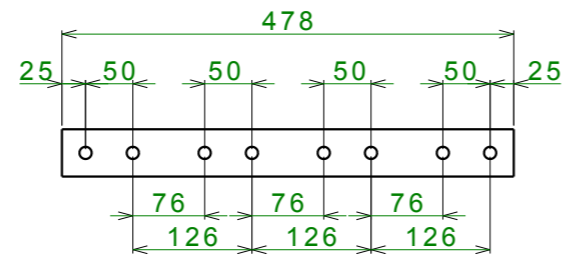
E1.2 4P



E2.2 4P



E4.2 4P



801

FIG.

DIMENSIONI / DIMENSION

PESO / WEIGHT

mm

UNITA' DI MISURA
UNITS OF MEASUREMENT

AGG. DI SEGNO DISTR. MOD.	SCALA SCALE	MAT. / MAT. :
VERSIONE VERSION	DISEGNATO DA DRAW BY	TRATT. / TREAT :
DATA DATE	APPROVAZIONE APPROVAL	PROGETTO N° : PROJECT N° : 142.00
	ABB	ABB SACE ADB
	Formato Format A3	DESCRIZIONE / DESCRIPTION: DIVERSI TIPI DI ANCORAGGIO DIFFERENT TYPES OF SUPPORT

DISEGNO N° / DRAWING N°

863877