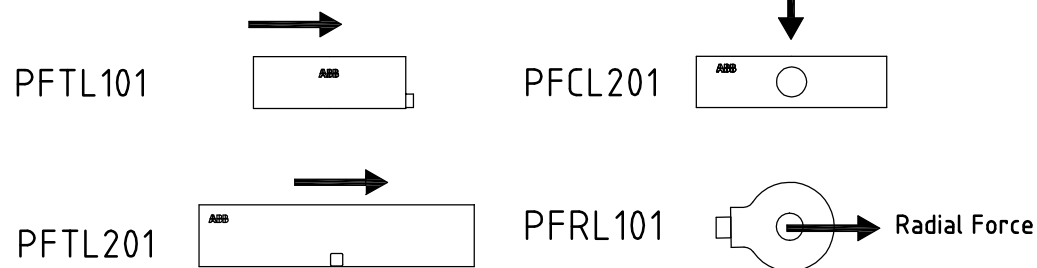


IP20:
 Power Supply 24 (18-36) VDC
 Signal earth (0V) connected to Tension Electronics metal plate
 Cable Shields should be connected to earth close to the Tension Electronics

IP65:
 Power Supply 100 (-15%) to 240 (+10%) VAC or 24 VDC
 Signal earth (0V) connected to earth bar inside the unit
 Cable Shields should be connected to earth bar inside the unit

Increased Force in the direction of the arrow results in a positive output signal change.



Because of practical reasons the Load Cell PFTL201 is often mounted so that the plug connector is pointing away from the roll. This results in that one of the Load Cells will have inversely applied force.

For inversely applied Force on Load Cell:	Swap
A	X3:1 & 2
B	X3:3 & 4
C	X3:5 & 6
D	X3:7 & 8

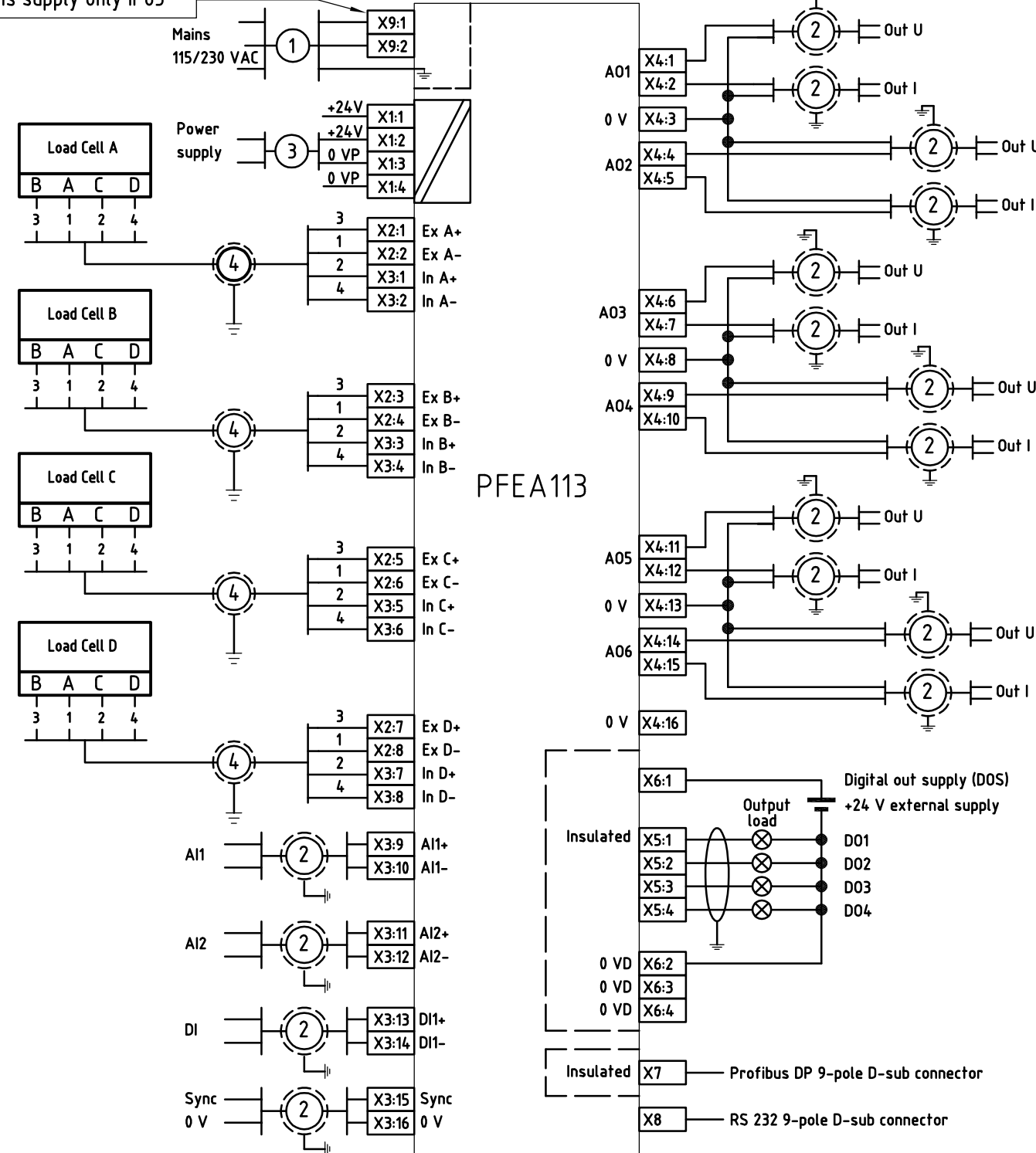
Cable resistance between X2:1 and X2:8 must not exceed 10 ohm.

	CABLE LIST
1	3 x 1,5...2,5 mm ² [14...12 AWG]
2	2 x 0,4...1 mm ² [22...18 AWG] — [Shielded]
3	2 x 1,5...2,5mm ² [14...12AWG]
4	4 x 1,0 mm ² [18 AWG] — [Shielded, with Male plug connector x]

x) Load cell equipped with fixed cable has no plug connector.

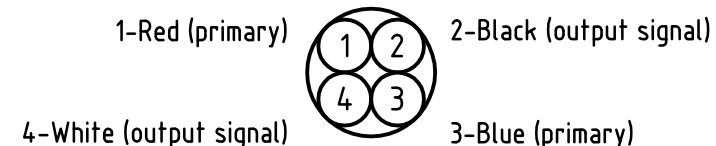
Removed Load Cell (s)	Connect shorting wire at
A	X2:1 & 2
B	X2:3 & 4
C	X2:5 & 6
D	X2:7 & 8

Mains supply only IP65



IMPORTANT!

Core order along no. 4



Load Cell equipped with fixed cable has color marked conductors. If cable no. 4 is lengthened it is important to keep core order.

REV	DESCRIPTION	DATE	DEPT./INIT.
D	Sh. 7 added.	2013-06-04	PAFM/GS/MS
C	Instruction for single load cell application adjusted.	2007-04-18	PA/FM/GF/ZR
B	X1:2 +24V was 0 VP; X1:3 and X1:4 added.	2002-12-16	ATCF/FM/GB/MSS
A	Redrawn; Page 2, 3, 4, 5, 6 added.	2002-11-28	ATCF/FM/GB/MSS
-	New document	2002-05-28	ATCF/FM/GB/LEN

Prep. PAMP/FMFA Birgitta Johansson 2013-06-04	Cable diagram	Cont.sh./No of sh.
Appr. PAMP/FMGS Fredrik Norlund 2013-06-20	Tension Electronics PFEA113	2/7
Resp.dept PAMP/FMGF	Tension Electronics PFEA113	Sheet
ABB ABB AB	Document number 3BSE028144D0065	1
	Lang. en	Rev. D

Product family : 661230 Bansk. mätare PRT100
 Product type designation : PFEA100
 Product information :

Project or order number :
 Customer reference :
 Modify date :

Document status : Approved

We reserve all rights in this document and in the information contained therein. Reproduction, use or disclosure to third parties without express authority is strictly forbidden. © ABB AB