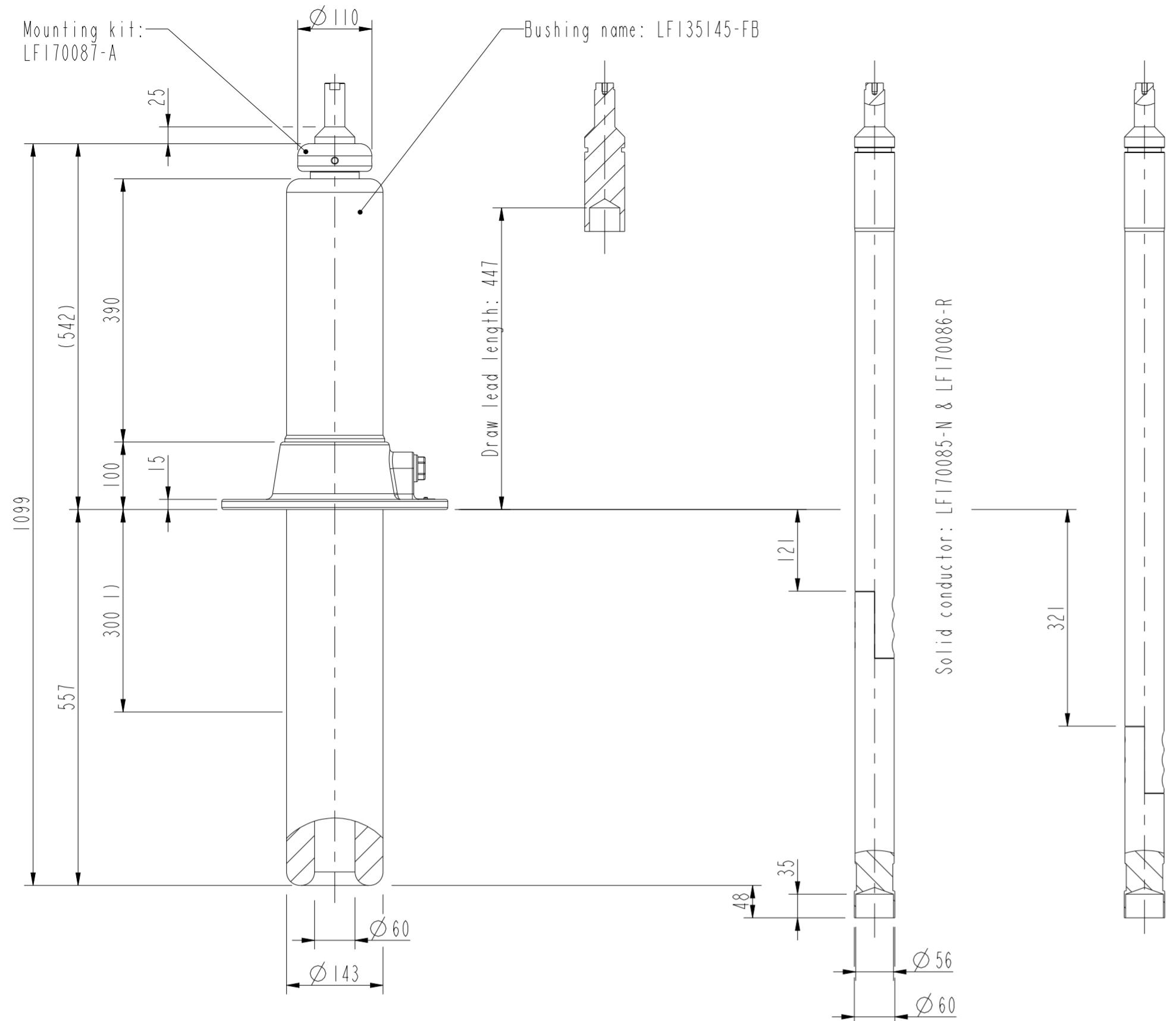


This document is issued by means of a computerized system. The digitally stored original is electronically approved. The approved document has a date entered in the "Approved"-field. A manual signature is not required.

Revision: Revision test  
C Capacitance updated.



Conductor, upper (Cu)	
Catalog No.	MASS
LF170085-N	17
LF170085-P	22

Conductor, lower (Cu)	
Catalog No.	MASS
LF170086-P	5
LF170086-R	9

Mass: 3.5 kg

Terminal (Cu)	
Catalog No.	d_cable
LF170084-A	5
LF170084-B	11
LF170084-C	13
LF170084-D	15
LF170084-E	18
LF170084-F	30
LF170084-G	42
LF170084-H	45
LF170084-I	50
LF170084-J	54
LF170084-K	5

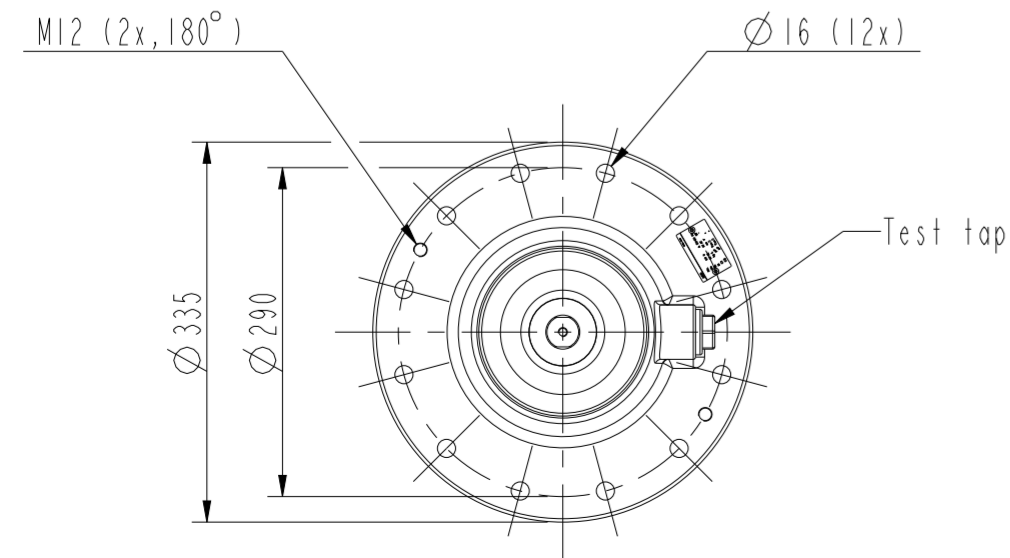
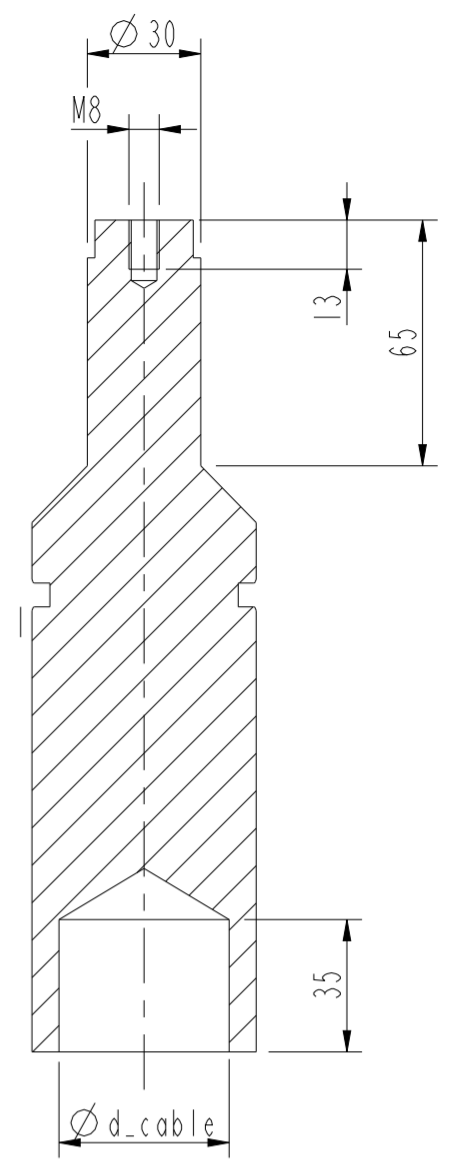


ABB		Ludvika, Sweden	
GSA 145-00/2000/0.3		LF135145-FB	
No.			
Um	170 kV	Ir	2000 A
BIL	650 kV SIL	kV AC 310 kV	
M	20 kg	L	557 mm
∠ 0-90°			
C1	pF	Tan δ	x
C2	pF	Tan δ	x

**ELECTRICAL DATA acc. to IEC 60137**

Ratings	Rated voltage	170	kV
	Max. phase to earth voltage	98	kV
	Max. phase to earth voltage, temporary	170	kV
	Max. current with Cu-conductor	2000	A
	Max. current with stranded cable 1200 mm <sup>2</sup>	1600	A
	Dry lightning impulse	650	kV
	Chopped lightning impulse	786	kV
Routine test	Dry power frequency	310	kV
Capacitance	Nominal capacitance	291	pF

**GENERAL DATA acc. to IEC 60137**

Mass	Mass bushing	20	kg
Cantilever load	Cantilever test load, according to IEC 60137	4000	N
	Max. cantilever operating load, bushing	2000	N
Ambient air temperature	according to IEC 60137	-40 to +40	°C
Mounting and service instructions		2750515-138	

**ELECTRICAL DATA acc. to ANSI C57.19.00**

Ratings	Insulation class	138	kV
	Rated max. line to ground voltage	88	kV
	Max. current with Cu-conductor	2000	A
	Max. current with stranded cable 1200 mm <sup>2</sup>	1600	A

Dim. requirements acc. to C57.19.01 not fulfilled

Approved	2021-01-25	Document Kind	Dimension Drawing	Based on doc. id	Work order id	Project id					
Company	ABB Technology Ltd	Title, Supplementary title									
Responsible Department	SEABB-9AAE300824	Dimension drawing GSA 145-00 2000/0.3									
		Måttskiss GSA 145-00 2000/0.3									
ABB		Document id	2751365-FB	Status	Released	Revision	C	Iteration		Sheet	1/1