

Connections / 连接

COM1/COM3 DB9 pin configuration /
COM1/COM3 DB9 引脚分配

Pin / 引脚	CP405, CP408 COM1/COM3
1	RS-422_TxD-P / RS-485_RxD / TxD-P
2	RS-232_RxD
3	RS-232_TxD
4	RS-422_RxD-P
5	GND
6	RS-422_TxD-N / RS-485_RxD / TxD-N
7	RS232_TxD (COM3)
8	RS-232_RxD (COM3)
9	RS422_RxD-N

Download Cable / 下载线

USB port (type B) and Serial port COM1
USB接口(类型B)和串口COM1*

COM1 DB9		
COM1 Connector 9-pin female / COM1 连接头 9 针母头		PC Connector 9-pin male / PC 连接头 9 针公头
RxD	2 — 3	TxD
TxD	3 — 2	RxD
SG	5 — 5	SG

*When COM1 is adapted as the download port, there shall be no user program running.
*当COM1被用作下载接口时, 用户程序不能同时运行。

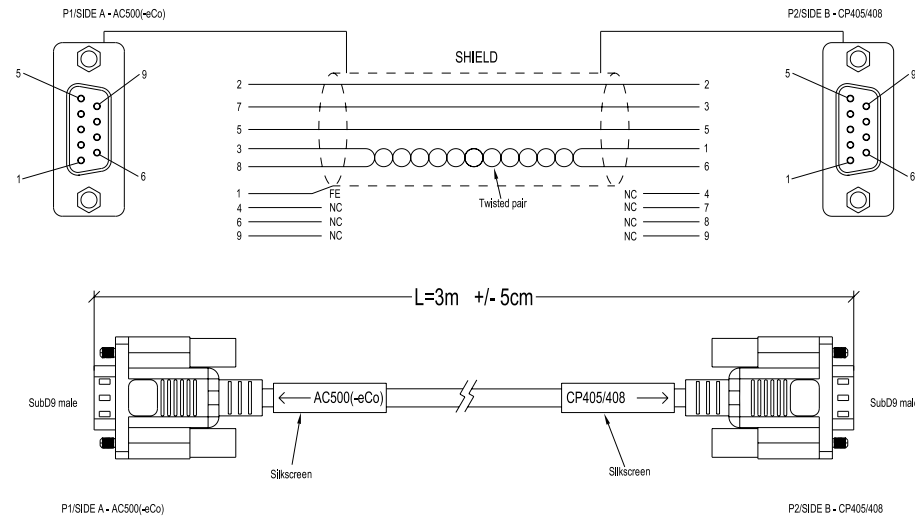
The products have been designed for use in an industrial environment in compliance with the 2004/108/CE directive. / 该产品应用于工业环境中并符合规格2004/108/CE。

The products have been designed in compliance with: / 该产品的设计符合以下标准:

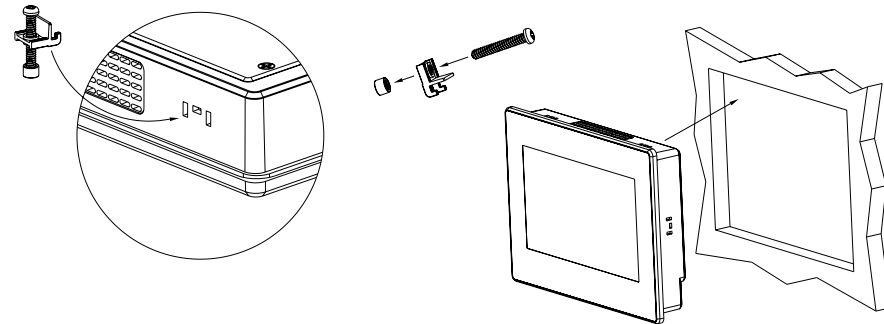
EN61000-6-4	EN 55022 Class A
EN61000-6-2	EN 61000-4-2
	EN 61000-4-3
	EN 61000-4-4
	EN 61000-4-5
	EN 61000-4-6
	EN 61000-4-8
	EN 61000-4-11

The installation of these devices into the residential, commercial and light-industrial environments is allowed only in the case that special measures are taken in order to get the conformity to IEC-61000-6-3. / 要将设备安装在住宅、商业和轻工业环境中, 必须采用特殊措施使其符合IEC-61000-6-3标准。

Pinning / 引脚连接

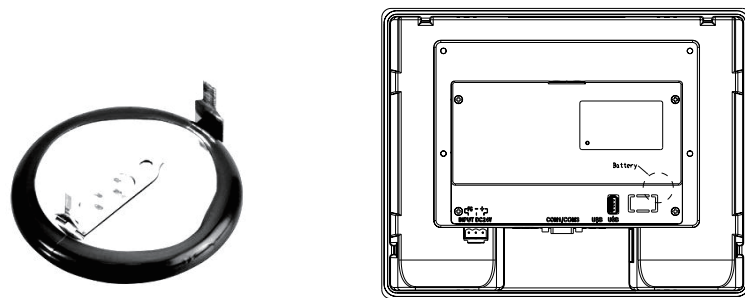


Panel fixing / 面板固定



⚠ Screw each fixing screw until the bezel corner gets in contact with the panel. / 使用固定螺丝固定时请注意不要锁太紧, 以避免压迫造成其他问题。

Dispose of batteries / 电池处置



⚠ Dispose of batteries according to local regulations. / 废弃电池的处置请依据使用者所在地对废弃电池处理方式办理。

⚠ Capacity of battery can hold for 2 years or more, without connected power supply to HMI, at 20°C. The data in the memory may be lost under low battery condition. It is recommended to have a backup, based on flash memory. For details, please refer to operating instructions. / 在20°C环境下, HMI没有外部供电时, 电池可以持续使用2年以上。电量不足的情况下可能造成内存中的数据丢失。建议使用闪存备份数据。详细信息, 请参阅操作手册。

en Installation instructions
zh 安装说明书

Manufacturer:

ABB AG
Eppelheimer Str. 82
69123 Heidelberg, Germany
Phone: +49 62 21 701 1444
Fax: +49 62 21 701 1382
E-Mail: plc.support@de.abb.com
Internet http://www.abb.com/PLC

北京ABB电气传动系统有限公司
中国北京朝阳区酒仙桥北路甲十号D区1号

CP405, 7" Panel
CP408, 10.1" Panel



en ⚠ Warning!

Installation and maintenance have to be performed according to the technical rules, codes and relevant standards, e.g. EN 60204-1, by skilled electricians only.

zh ⚠ 警告!

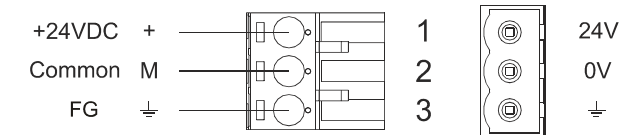
该产品的安装和维护只能由专业技术人员根据技术规程、规定和相关的标准, 比如 EN60204的第一部分, 进行操作。

Power supply / 电源供应

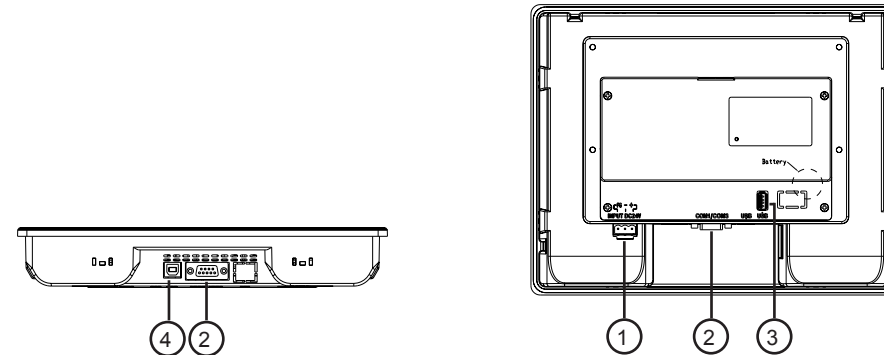
⚠ Powered by a Low Voltage / Limited Energy power source. / 以低电压提供电力/限制能量电源。

⚠ Ensure that the power supply has enough power capacity for the operation of the equipment. / 确保电源的电源容量符合产品的操作规范。

⚠ Do not open the rear cover of the panel when power is applied. / 电源送电时请勿开启后盖。



Parts Introduction / 装置介绍



Pos. No. / 位置号	Description / 描述
①	Power supply connector (terminal) / 电源连接(端子)
②	Serial port COM1/COM3 (9-pin female) / 串口COM1/COM3 (9针母头)
③	USB port (type A) / USB 接口(类型A)
④	USB port (type B) / USB 接口(类型B)

RS-485 wiring / RS-485 接线

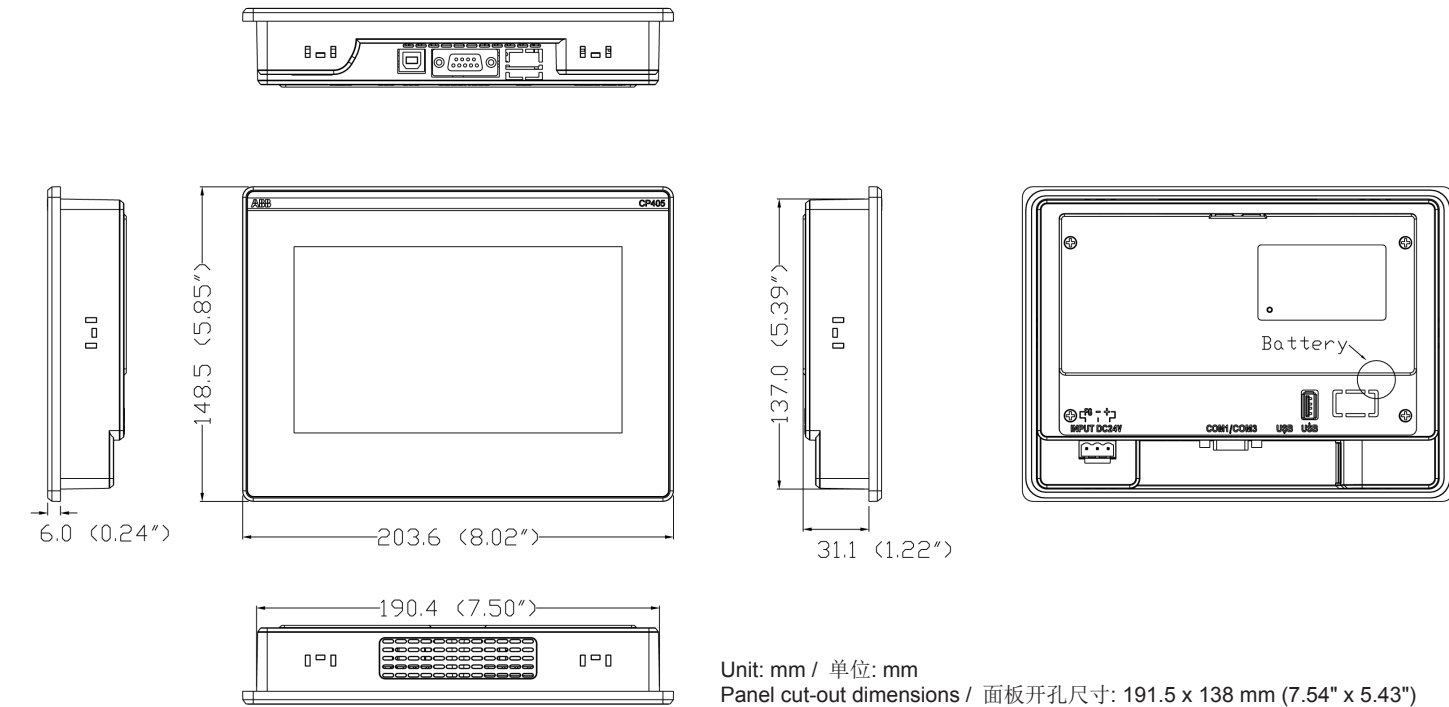
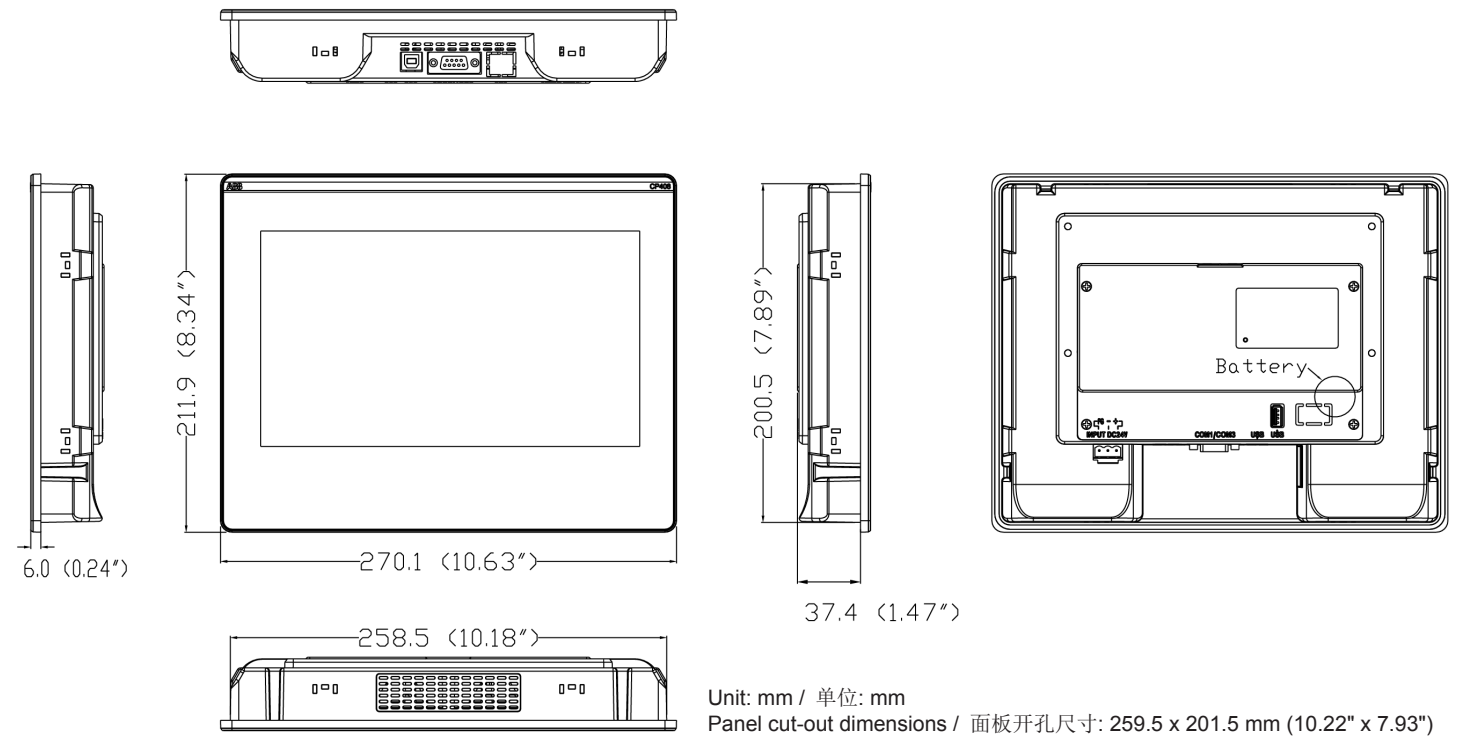
Pin / 引脚	CP405, CP408 COM1 / COM3
1	RS-422_TxD-P / RS-485_RxD/TxD-P
2	RS-232_RxD
3	RS-232_TxD
4	RS-422_RxD-P
5	GND
6	RS-422_TxD-N / RS-485_RxD / TxD-N
7	RS232_TxD (COM3)
8	RS-232_RxD (COM3)
9	RS422_RxD-N

Pin / 引脚	AC500 COM2	AC500-eCo COM1
1	FE	FE
2	RS-232_TxD	SGND
3	RS-485_RxD / TxD-P	RS-485_RxD / TxD-P
4	RS-232_RTS	Reserved
5	SGND	SGND
6	+5V	+3.3V
7	RS-232_RxD	Reserved
8	RS-485_RxD / TxD-N	RS-485_RxD / TxD-N
9	RS-232_CTS	Reserved

RS-232 wiring / RS-232 接线

Pin / 引脚	CP405, CP408 COM1 / COM3
1	RS-422_TxD-P / RS-485_RxD / TxD-P
2	RS-232_RxD
3	RS-232_TxD
4	RS-422_RxD-P
5	GND
6	RS-422_TxD-N / RS-485_RxD / TxD-N
7	RS232_TxD (COM3)
8	RS-232_RxD (COM3)
9	RS422_RxD-N

Pin / 引脚	AC500 COM2
1	FE
2	RS-232_TxD
3	RS-485_RxD / TxD-P
4	RS-232_RTS
5	SGND
6	+5V
7	RS-232_RxD
8	RS-485_RxD / TxD-N
9	RS-232_CTS



en Please refer to the "Regulations Concerning the Setting up of Installations" for safety instructions.
see link

zh 安全设备的操作方法，请参照“装置安装指导”。
参考链接

http://search-ext.abb.com/library/Download.aspx?DocumentID=3ADR025003*&Action=Launch



en Recycling
zh 清除



Note:
The USB port only supports a memory stick and wired mouse. / USB 端口仅支持记忆卡和有线鼠标。