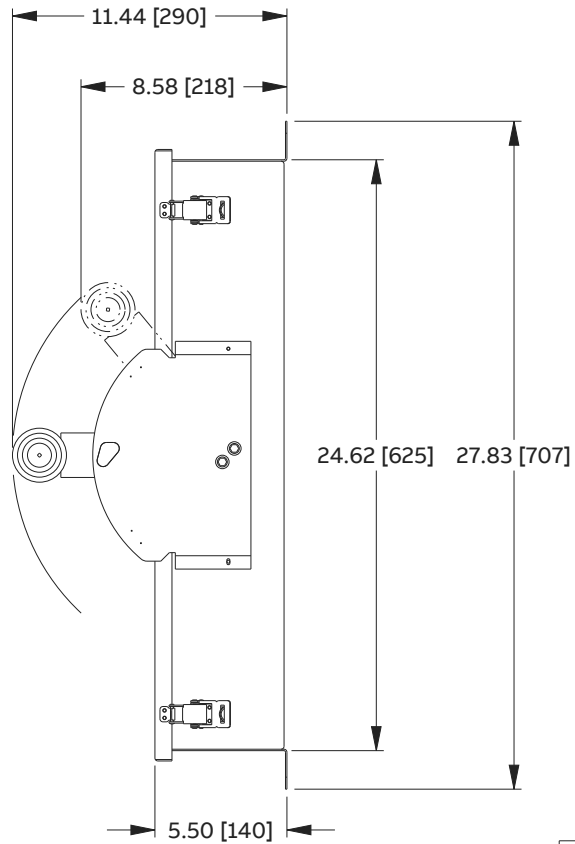
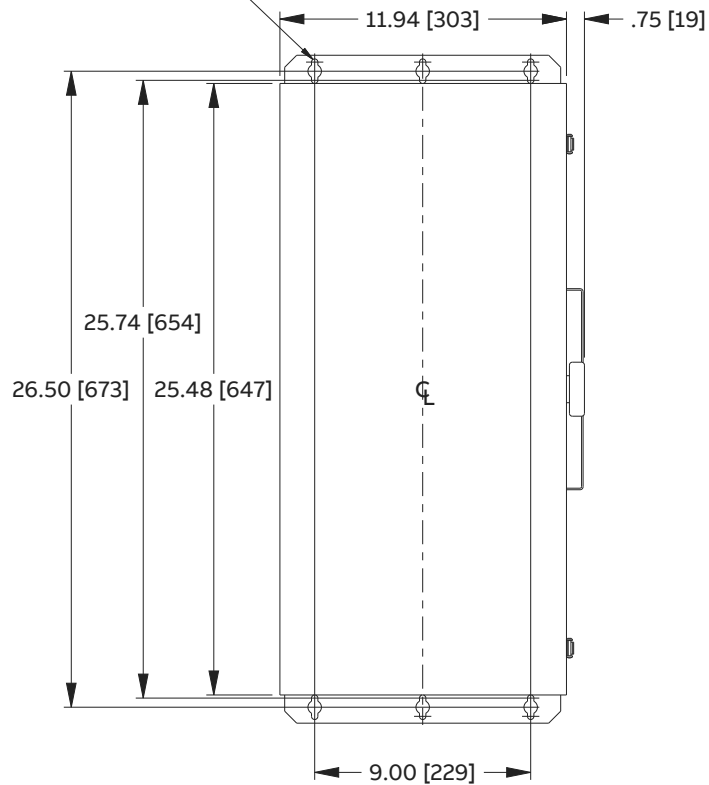




.265 [6.7] DIA.
(6) MOUNTING HOLES




NOTE:
1. PRIMARY DIMENSIONS ARE IN INCHES WITH TOLERANCE ± 0.125 .
2. ALTERNATE DIMENSIONS ARE IN MM.

GCAT NO.	DESCRIPTION
TC35363SS	100A 3P DBL THR 4/4X SS 600V NONFUSE
TC35362SS	60A 3P DBL THR 4/4X SS 600V NONFUSE
TC35361SS	30A 3P DBL THR 4/4X SS 600V NONFUSE


Industrial Solutions


OUTLINE DRAWING - DOUBLE THROW SAFETY SWITCH
 30 - 100A NON-FUSED, NEMA-4X SS ENCLOSURE

DWG NO.	DATE	REV
10103091SH150	10/19	02

THIRD ANGLE	SHEET#
	1 of 1