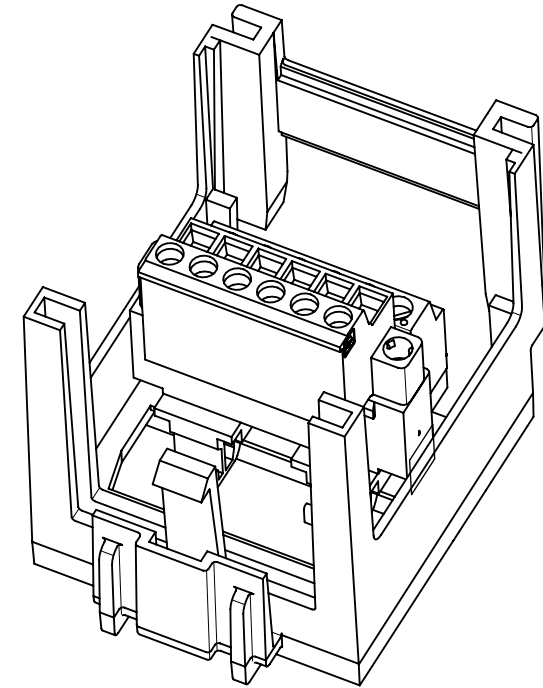
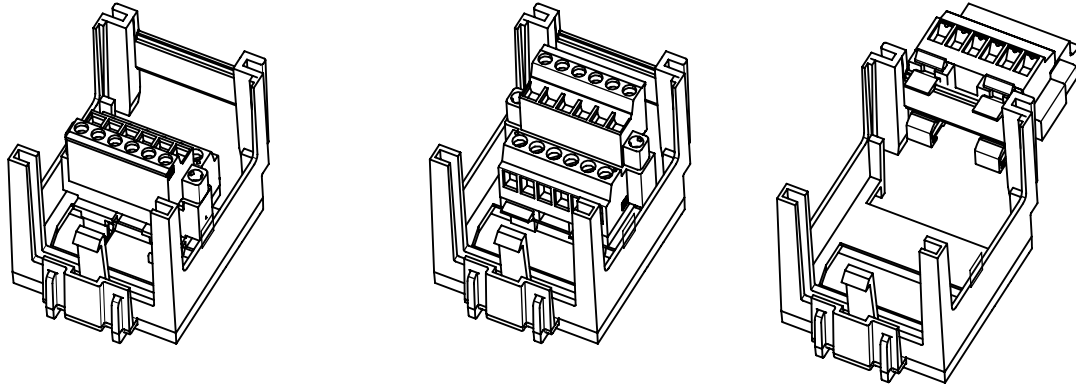
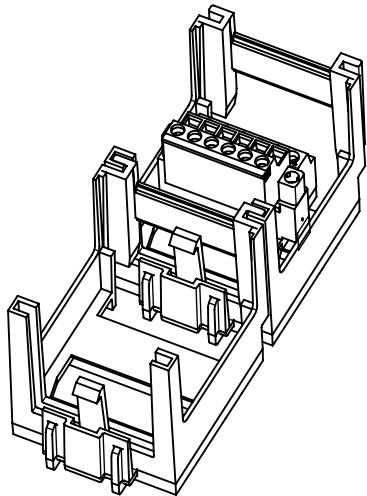


Alternative positions of terminals



Stacking of multiplug brackets

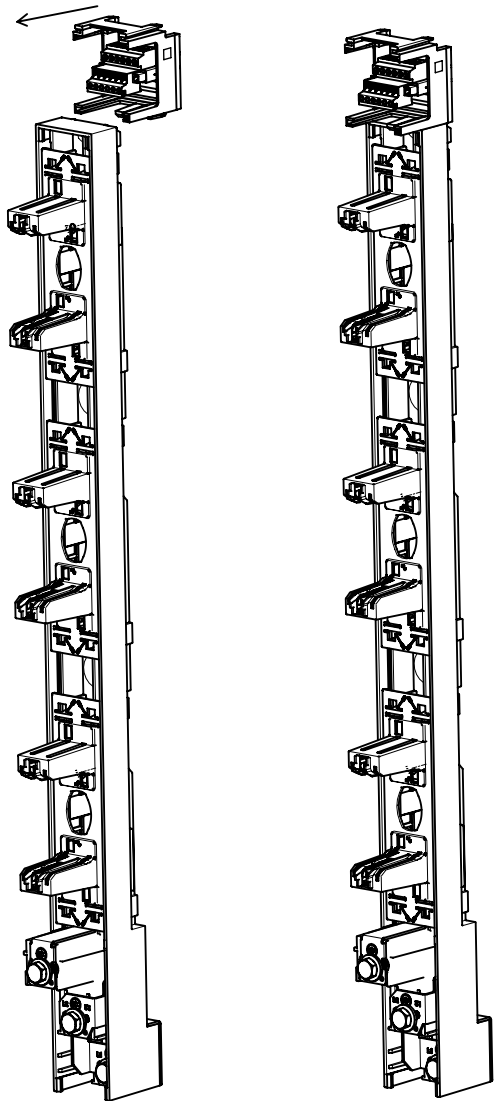


Fitting on accessories

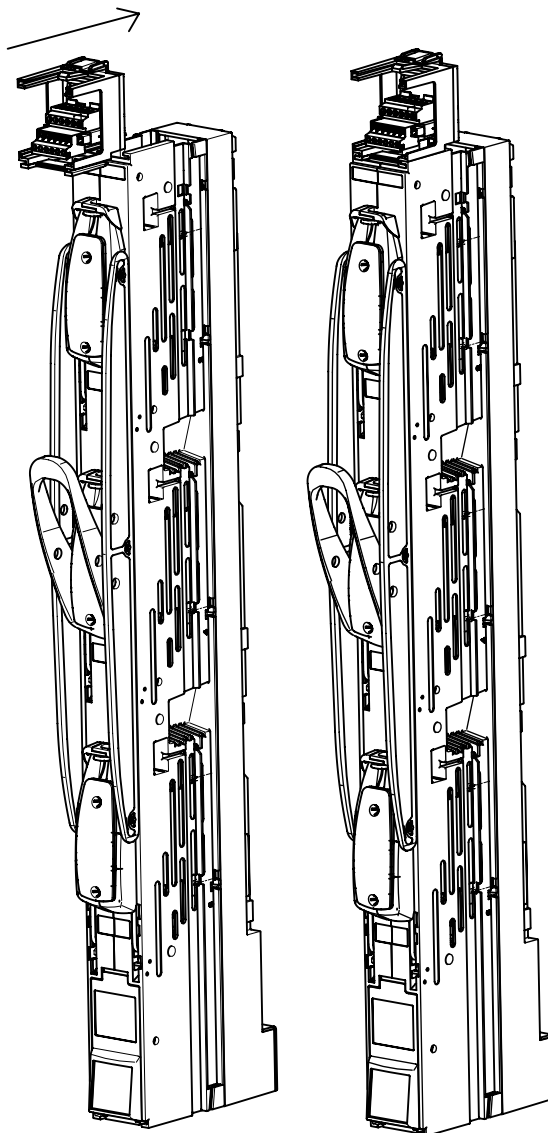
When used in combination with the following accessories :
 A-meter Holder, label holder and EFM, the multiplug kit must be fitted on top.

Rated voltage (II/2)	690V
Rated voltage (III/2)	320V
Nominal current	12A
Cross section (min)	0.2 mm ²
Cross section (max)	2.5 mm ²
Tightening torque	0.5 Nm

Fitted on base



Fitted on middle part



Fitted on base and middle part

