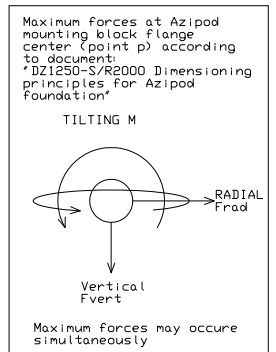
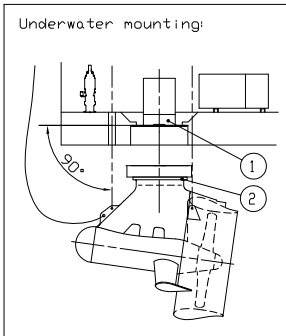
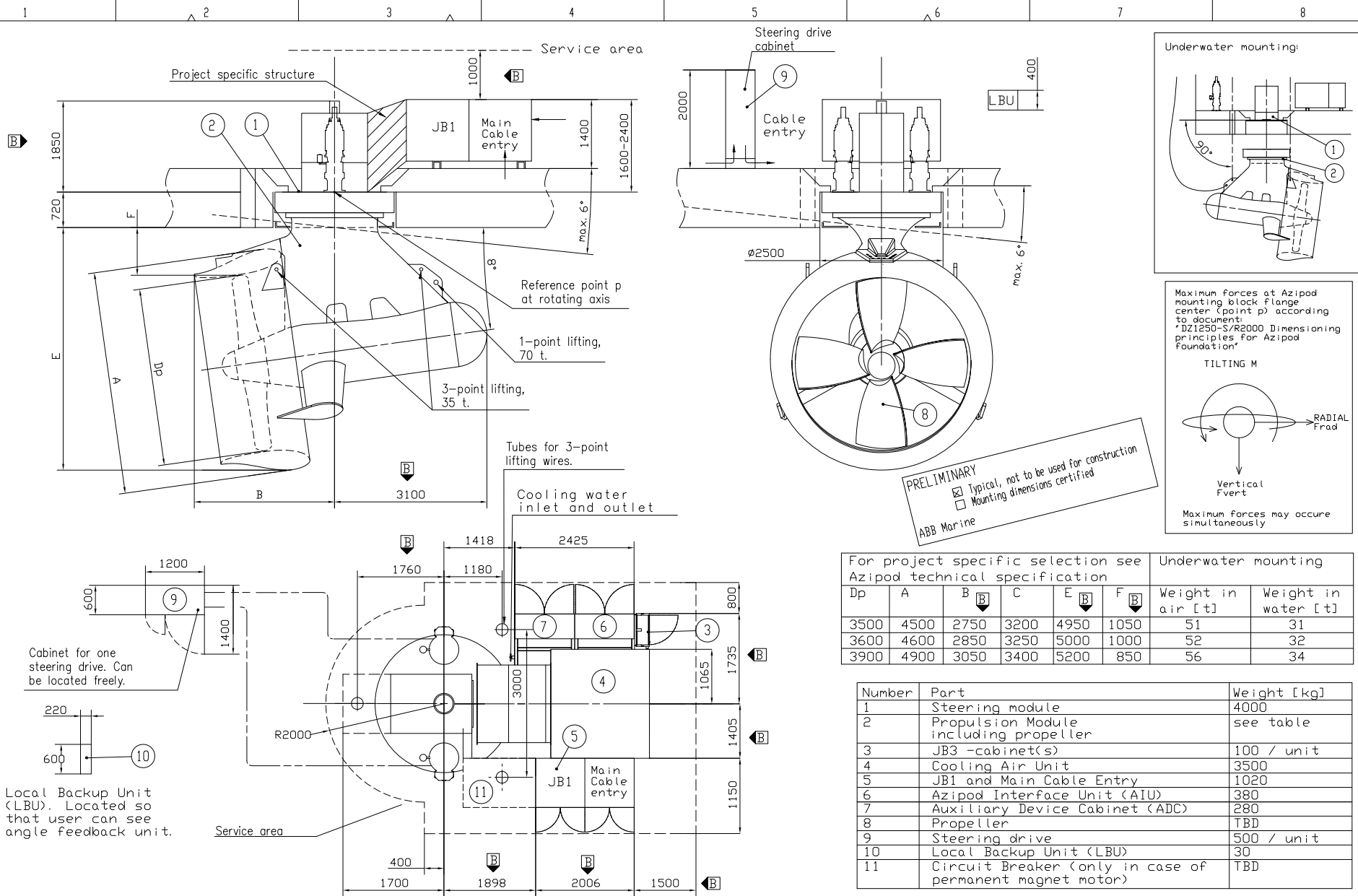


We reserve all rights in this document and in the information contained herein. All rights are reserved. No part of this document may be reproduced or transmitted in any form or by any means electronic or mechanical, including photocopying and recording, or by any information storage or retrieval system, without express written permission in writing from ABB Power and Automation.

Symbols for roughness according to ISO 4191

General tolerance for linear and angular dimensions and general tolerances according to ISO 2768



PRELIMINARY
 Typical, not to be used for construction
 Mounting dimensions certified
 ABB Marine

For project specific selection see Azipod technical specification						Underwater mounting	
Dp	A	B	C	E	F	Weight in air [t]	Weight in water [t]
3500	4500	2750	3200	4950	1050	51	31
3600	4600	2850	3250	5000	1000	52	32
3900	4900	3050	3400	5200	850	56	34

Number	Part	Weight [kg]
1	Steering module	4000
2	Propulsion Module including propeller	see table
3	JB3 -cabinet(s)	100 / unit
4	Cooling Air Unit	3500
5	JB1 and Main Cable Entry	1020
6	Azipod Interface Unit (AIU)	380
7	Auxiliary Device Cabinet (ADC)	280
8	Propeller	TBD
9	Steering drive	500 / unit
10	Local Backup Unit (LBU)	30
11	Circuit Breaker (only in case of permanent magnet motor)	TBD

Note! Design not to be mirrored to PS/STB.
 Location of Azipod Interface Unit and Auxiliary Device Cabinet can be located freely inside the Azipod room.
 Cabling between cabinets is part of shipyard's scope
 Presented layout is a suggestion.

Rev	Change	Date	Prep	Rev.	Appr.
B	Dimensions changed.	2016-01-21	LAL3	VIKA	PESI

Prepared 2014-09-30 Lahtinen, Lasse	Separate part list with separate No. <input type="checkbox"/>	Title MAIN DIMENSIONS	Scale 1:50
Reviewed 2014-10-30 Kivioja, Anssi	Responsible department		Language EN
Approved 2014-10-30 Säkkinen, Petri	Original dep.		Mounting Size A2
Distribution	Functional code	Order No.	Revision Sheet B 1/1
		Weight 0.000	Document No. 3AFV3327018
ABB BAU Marine & Turbocharging, Helsinki		Type AZIPDD DZ1250-R2000	Revision Sheet B 1/1