



Microstar 2000

Miniature Photocell

Key Features

- Very low power consumption
- Filtered silicon photodiode
- Microprocessor based photo-electronic control
- Accurate switching
- 'Zero crossover voltage' switching
- Suitable for use with LED, halogen or discharge lighting

Applications

- Roadway lighting
- Local Authority street lighting
- Vandal resistant street lighting
- Aesthetic / architectural lighting
- High bay lighting
- Floodlighting
- Car park lighting

The Microstar 2000 miniature photocell offers the same outstanding microprocessor controlled performance as our Oasis 2000 premium one part photocell, but in a compact, durable polycarbonate casing.

Manufactured with a filtered silicon photodiode and control circuitry designed to deliver both reliability and highly accurate switching, the Microstar 2000 miniature photocell is ideal for use in street lighting and other applications where performance cannot be compromised.

The Microstar 2000's miniature polycarbonate casing ensures the photocell can be easily located in lamps where limited space is available, or where aesthetics or vandal resistance dictate the need for a miniature cell.

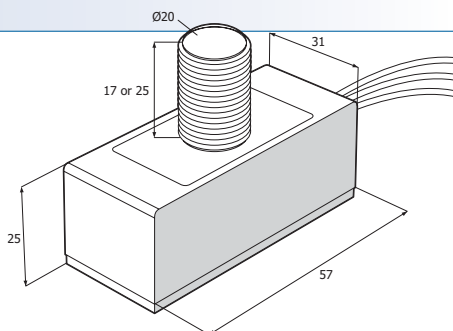


Microstar 2000 Miniature Photocell

Technical Specification

Specification	Description
Sensor type	Filtered silicon photodiode
Sensor control	Microprocessor
Standard switching level	70 lux 'On', 35 lux 'Off'. Alternative settings can be factory pre-programmed on request
Switching differential	1:0.5
Operating voltage range	220-270 Vac, 50/60 Hz
Maximum lamp load	3 x 400 W inductive (96 µF), 10 A
Power consumption	< 0.25 W
Operating temperature range	-20 °C to +60 °C
Ingress protection	IP65 (lens), IP54 (casing)
Alternative switching levels	Factory pre-programmable to meet customer requirements
Options	Positive switching differential, with optional switching levels pre-programmable to suit customer requirements 300 mm lead length (other lengths to order) 110 Vac units
Approvals	RoHS compliant. CE marked and compliant with EMC emission and immunity standards Designed to meet the requirements for UMSUG code 95 0000 0000 100
Dimensions L x W x D	57 x 31 x 25 mm Lens diameter 20 mm Lens projection 17 mm or 25 mm

For product order codes or to discuss project requirements, please contact Thomas & Betts or your local representative.



Royce Thompson is the leading photo-electronic lighting controls brand from Thomas & Betts, supporting the street and amenity lighting industry since 1963.

Continuous focus on the provision of high quality, innovative products to the market ensures Royce Thompson photocells offer the best in low energy consumption, reliability and long life - helping you, the customer, achieve optimum performance whilst keeping your carbon footprint to a minimum.



Product selection

Product	Microstar 2000
Description	Miniature photocell

Individual product order codes subject to final product specification. Codes can be supplied on request from Thomas & Betts. To discuss project requirements, please contact your local representative or Thomas & Betts on +44 (0)113 281 0600.

Warranty of all Royce Thompson products is subject to the standard Thomas & Betts terms & conditions of sale.



Thomas & Betts Ltd
Royce Thompson
Bruncliffe Lane
Leeds
West Yorkshire LS27 9LL

Tel: +44 (0)113 281 0600
Fax: +44 (0)113 281 0611
roycethompson@tnb.com
www.roycethompson.com