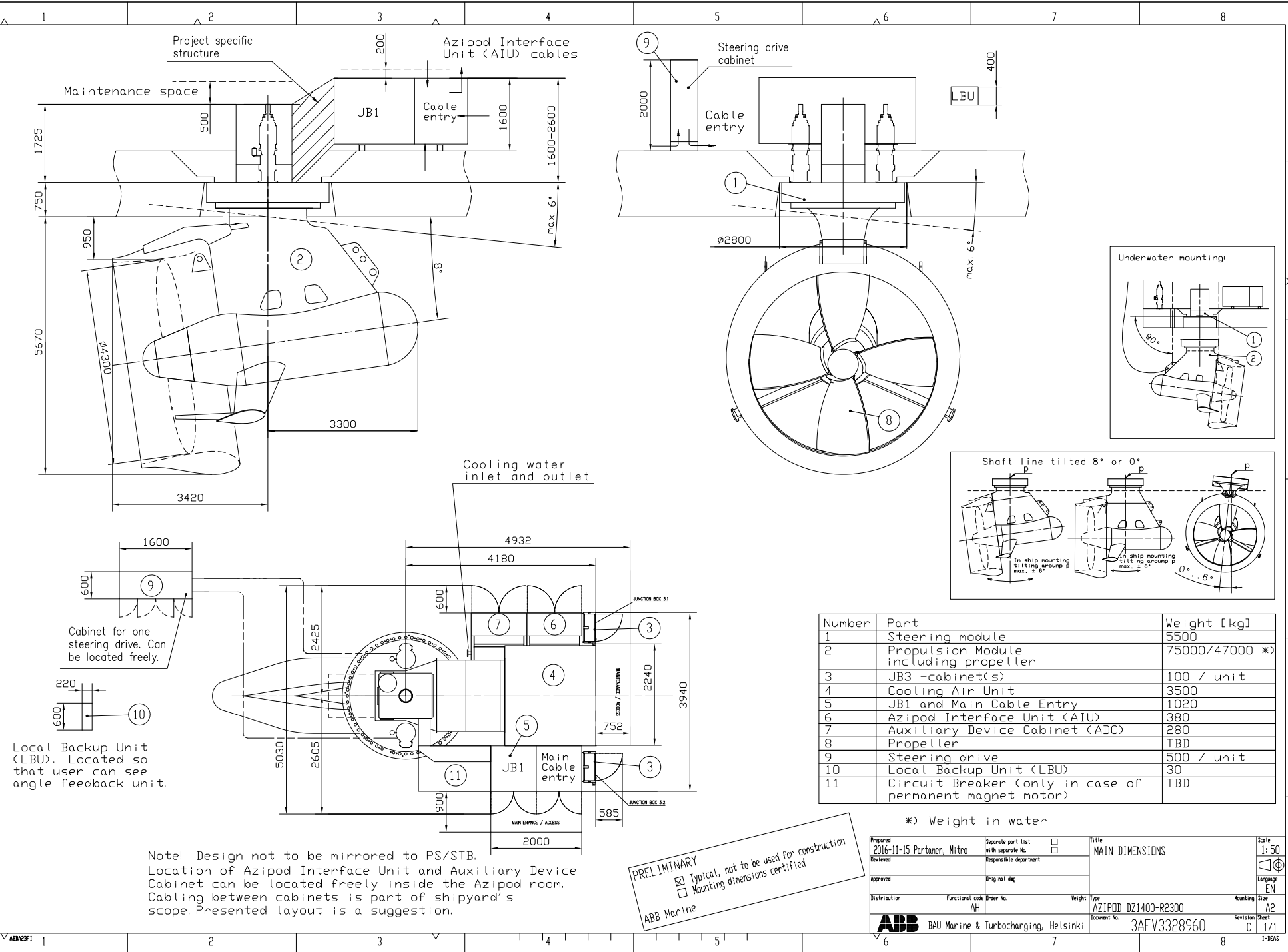


We reserve all rights in this document and in the information contained herein. This document and the information contained herein may be used for other projects without the written consent of ABB Patents and Trademarks.

Symbols for roughness according to ISO 1302. AAMA 421

General tolerance for linear and angular dimensions and general tolerances for surface texture according to ISO 1302. AAMA 421. DIN 75601.1. DIN 75601.2



| Number | Part   | Weight [kg]    |
|--------|--|----------------|
| 1      | Steering module  | 5500           |
| 2      | Propulsion Module including propeller                    | 75000/47000 *) |
| 3      | JB3 -cabinet(s)  | 100 / unit     |
| 4      | Cooling Air Unit   | 3500           |
| 5      | JB1 and Main Cable Entry                                 | 1020           |
| 6      | Azipod Interface Unit (AIU)                              | 380            |
| 7      | Auxiliary Device Cabinet (ADC)                           | 280            |
| 8      | Propeller  | TBD            |
| 9      | Steering drive   | 500 / unit     |
| 10     | Local Backup Unit (LBU)                                  | 30             |
| 11     | Circuit Breaker (only in case of permanent magnet motor) | TBD            |

\*) Weight in water

|  |  |                               |                              |
|--|--|-------------------------------|------------------------------|
| Prepared<br>2016-11-15 Partanen, Mitro | Separate part list<br>with separate No. <input type="checkbox"/> | Title<br>MAIN DIMENSIONS      | Scale<br>1:50                |
| Reviewed                               | Responsible department   |                               | Language<br>EN               |
| Approved                               | Original dep.  |                               | Mounting<br>EN               |
| Distribution<br>ABB                    | Functional code<br>AH  | Order No.                     | Weight<br>AZIPD D21400-R2300 |
|  |  | Revision Sheet<br>3AFV3328960 | Mounting Size<br>A2          |
|  |  | Document No.                  | Revision Sheet<br>C 1/1      |

**PRELIMINARY**  
 Typical, not to be used for construction  
 Mounting dimensions certified  
 ABB Marine

Note! Design not to be mirrored to PS/STB.  
 Location of Azipod Interface Unit and Auxiliary Device Cabinet can be located freely inside the Azipod room.  
 Cabling between cabinets is part of shipyard's scope. Presented layout is a suggestion.