

CYLON

Room Temperature Sensor WRF04 (Novos-3)

The Cylon Room Temperature Sensors are surface mounting room temperature sensors and operating panels, designed for temperature measurement.



Specifications

Sensor Type:	1x NTC 10kOhm
Measuring range	-35 °C to +70 °C
Accuracy	±0.2 °C at 25 °C
Connection	tool-free mountable spring terminal, max. 1.5 mm ²
Housing	for wall mounting, material ASA, colour pure white, similar to RAL9010
Protection:	IP20
Cable entry	Opening rear side, predetermined breaking points on underside, drill mark on top side
Ambient conditions	-35 ... +70 °C, max. 85% non-condensing
Ambient humidity	< 85%rF, no condensation

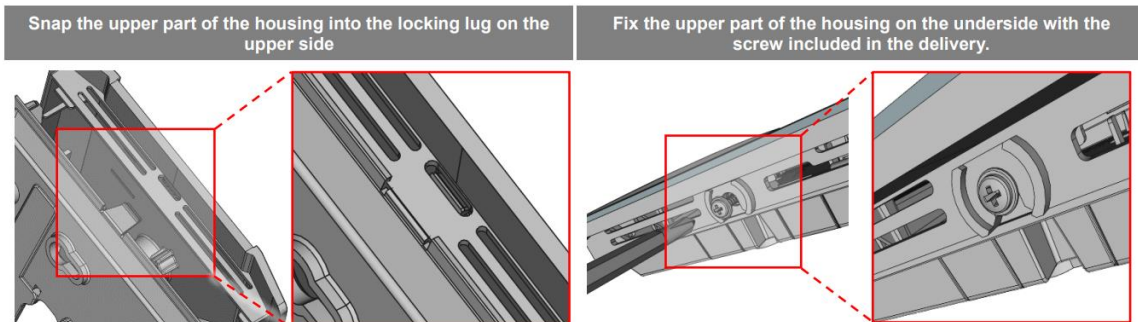
Installation

Please make sure that the device is disconnected from the power source before installing.

The installation can be performed on a flat wall surface or on a flush-mounted box. An appropriate place should be selected - for example, sunshine and draft in the installation tube should be avoided, as they can affect the sensor measurement.

Seal the end of the installation tube.

- For wiring, the upper part of the device must be removed from the base plate. Base plate and upper part are detachably connected to each other by means of locking lugs.
- The mounting of the base plate on the flat wall surface is done with rawplugs and screws.
- Finally, the device is attached to the base plate and fixed with the screw.



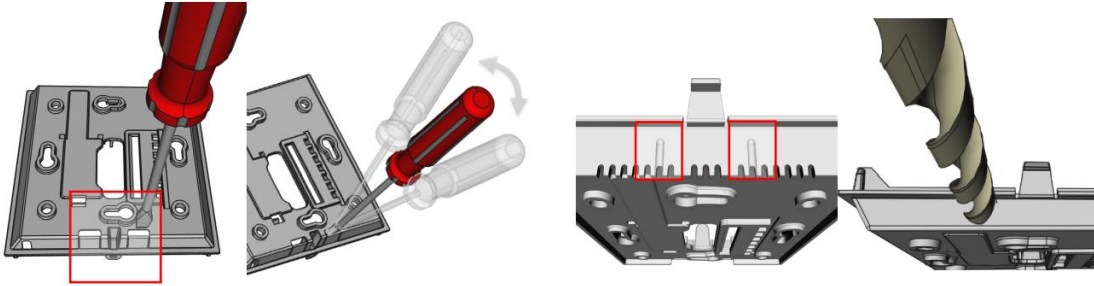
Due to Cylon's policy of continuous improvements these specifications may be upgraded without notice.

UNITRON UC32.
Building Management System

Cable entry

There are predetermined breaking points for 2 optional cable entries on the underside of the base plate

On the upper side of the base plate there are 2 grits as position for a drill hole max. \varnothing 6 mm



Warning: When using a drill, you should make sure that the base plate is firmly clamped. Before drilling, the pressure must be reduced and carefully drilled, or else a sudden break-through of the drill bit could occur.

DIMENSIONS (MM)

